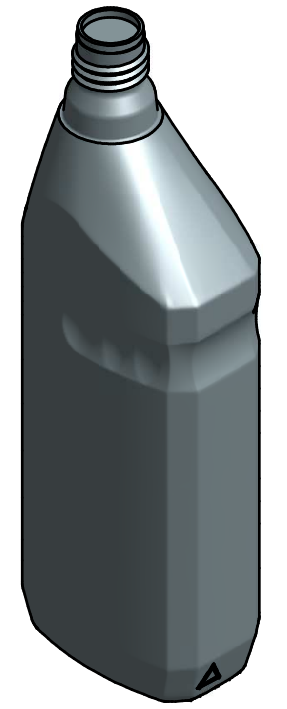
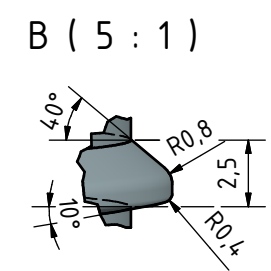
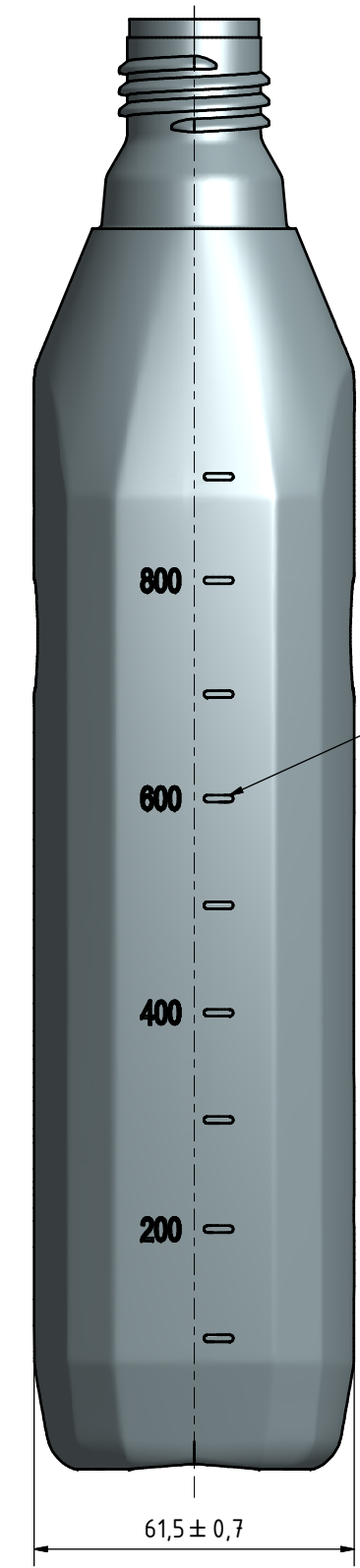
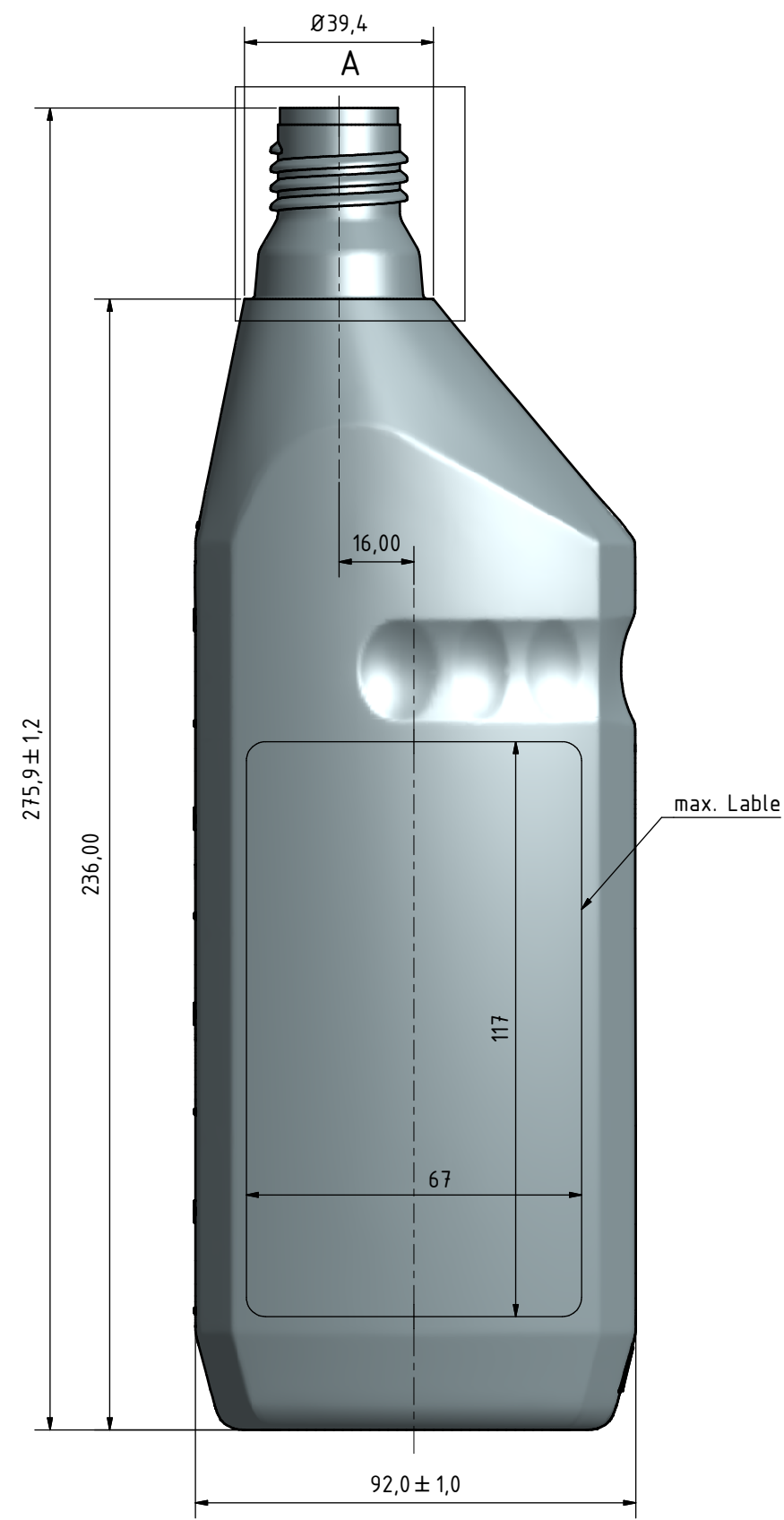
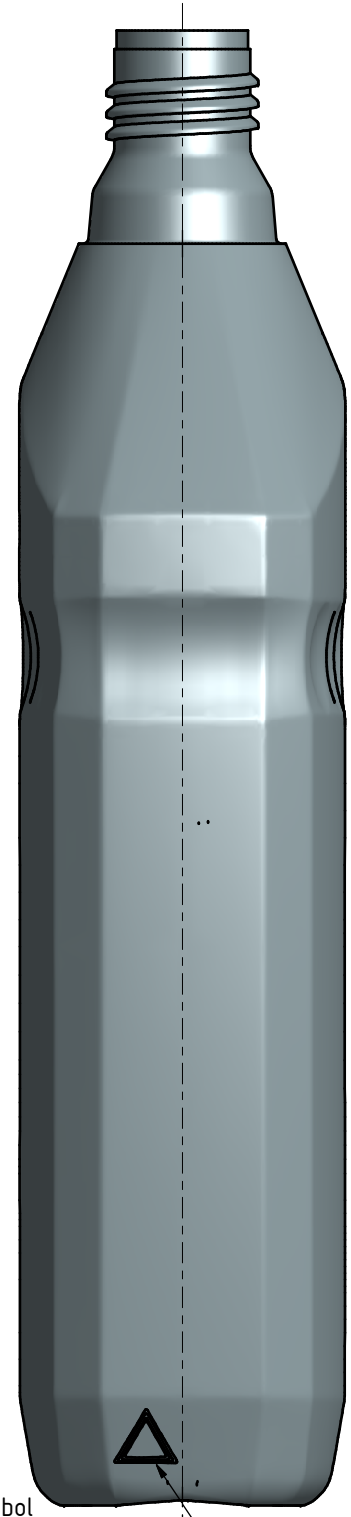
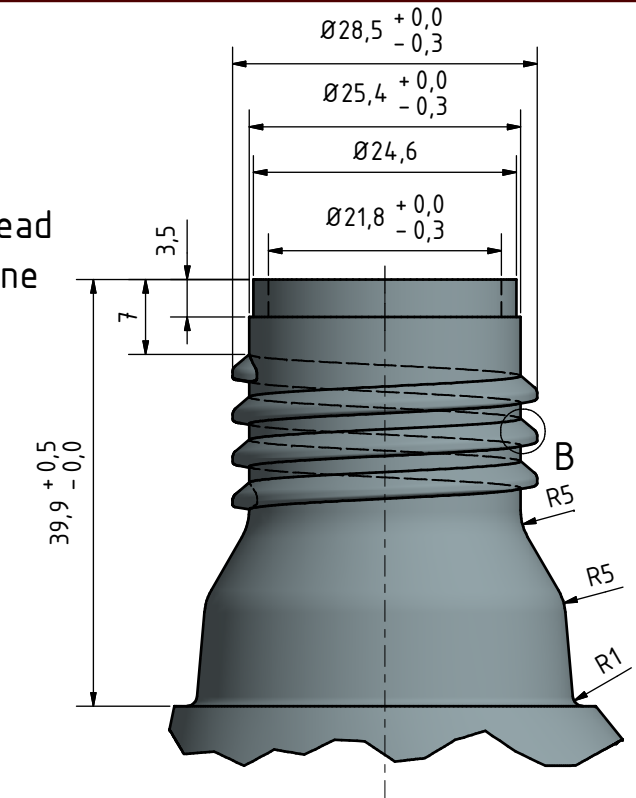


Neck Detail  
 Scale 2:1  
 Pitch 4 mm  
 Three turns of thread  
 3 mm calibration zone



Volume: 1.080 ml ± 15ml  
 Material: PE-HD  
 Weight: 45g ± 2g

General Tolerance		Blowing article: ISJ/TC 3, DS 2788 coarse series (DM 7188 grub)		Injection article: ISJ/TC 3, DS 2788 fine series (DM 7188 fein)	
Index	Modification	Name	Date	Index	Modification
Scale:	1:1 (2:1)	Prepared:	Holger Theis 09.05.2017	Reviewed:	Holger Theis 09.05.2017
We reserved all rights in this document and in the information contained therein		Supersedes:		Supersedes by:	
Weight:		kg			
A001_1_9202_717_01792_00.01			Nigrin 1.000 ml		
ALPLA		Qualitätsverpackungen			
Title		Revision		Page: of	