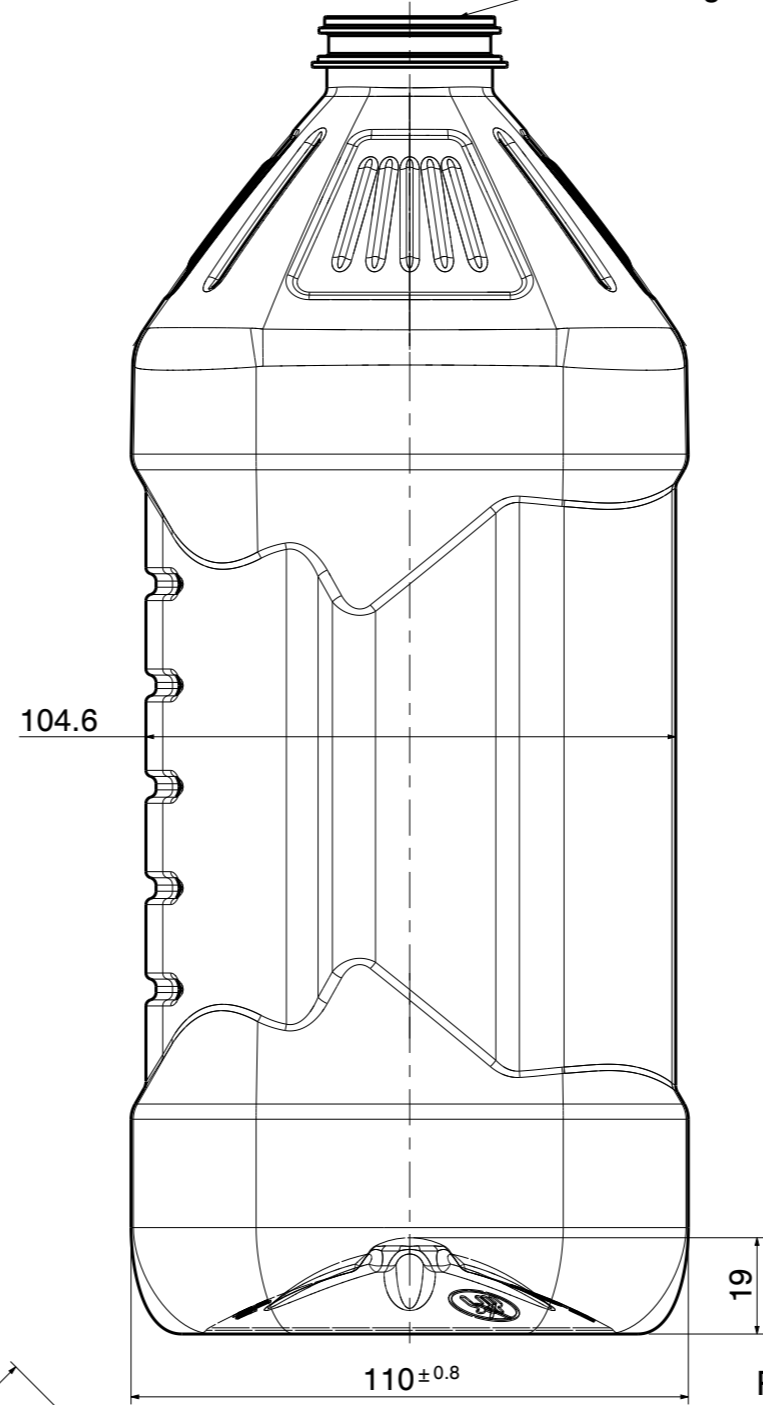
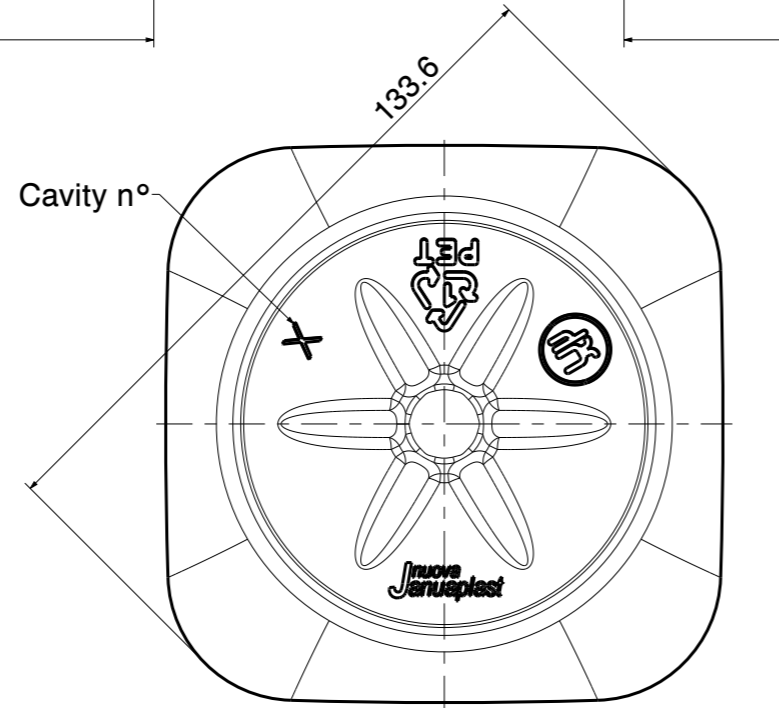
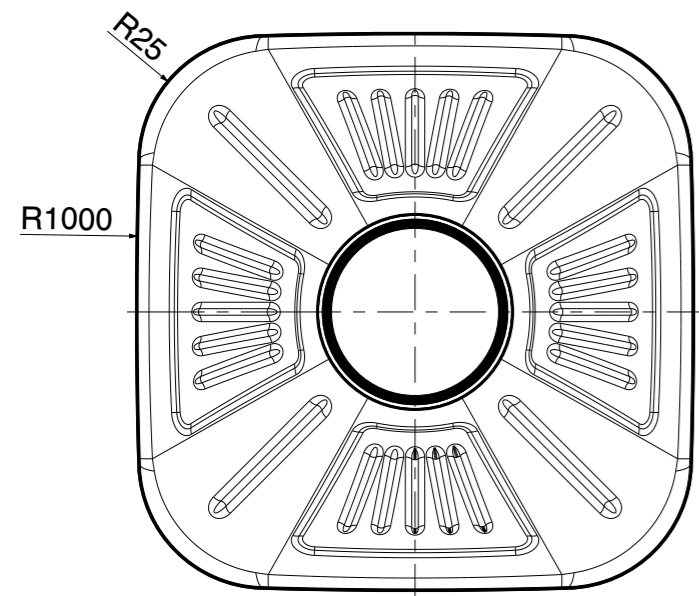


FILL LEVEL after 72h
2011⁺²⁸₀ ml



According to preform drwg.



 shaping your projects SIPI via Ferrovia Nord, 45 31020 San Vendemiano (TV) Italy tel. +39.0438.4096 / fax +39.0438.401016 info@siapi.it				CAD DESIGNER		FLUID		PREFORM MATERIAL	
				F. Cocilovo		EDIBLE OIL		PET	
DATE		SCALE		FORMED SHEET		THREAD TYPE			
17/05/2010		1:1.5		A3		36 mm Bericap Snap			
BRIMFULL CAPACITY		FILL-POINT CAPACITY		NOMINAL CAPACITY					
2096.5 ml		2022.5 ml		2000 ml					
PREFORM WEIGHT		NECK WEIGHT		TOLERANCE FOR HOLDING USE					
69.0 g		3.0 g		STANDARD SIPI					
This drawing is property of SIPI s.r.l. and it can not be copied or given to third persons, in whole or in part, without prior written permission of SIPI.				DESCRIPTION					
				Nuova JANUAPLAST					
				DRAWING N°					
				U.M. mm					
02 Shoulder and grip section modified; F.L. = -40mm		26/10/2012		F. Cocilovo					
01 Bottom modified		17/05/2010		F. Cocilovo					
MOD. MODIFY DESCRIPTION		DATE		CAD DESIGNER					

038000112502

