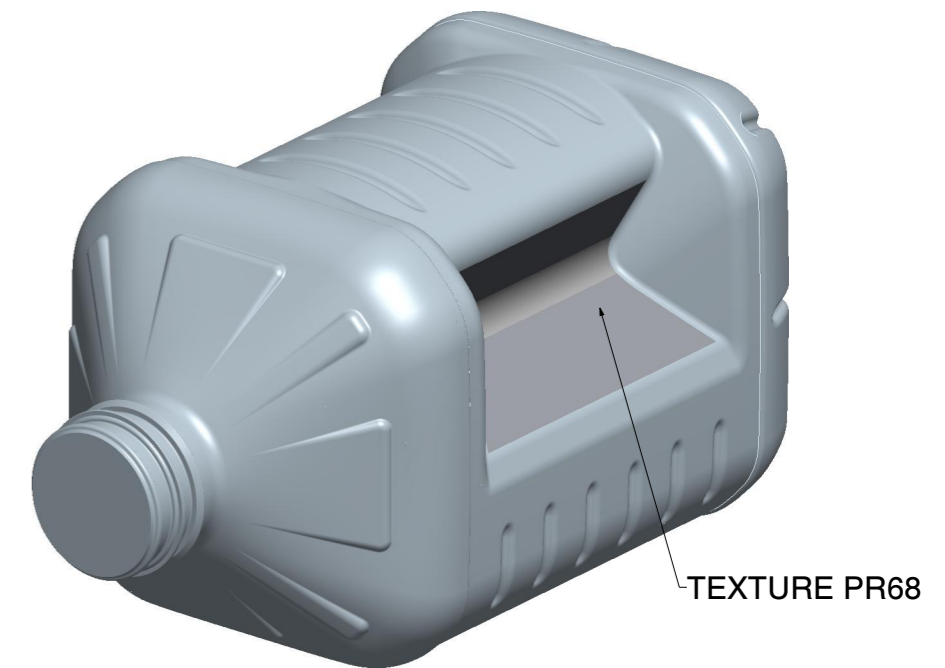
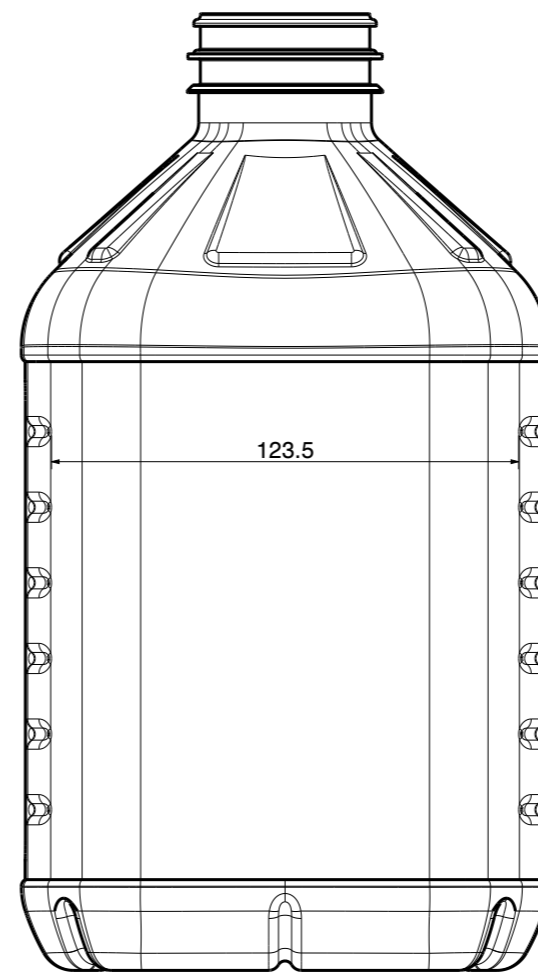
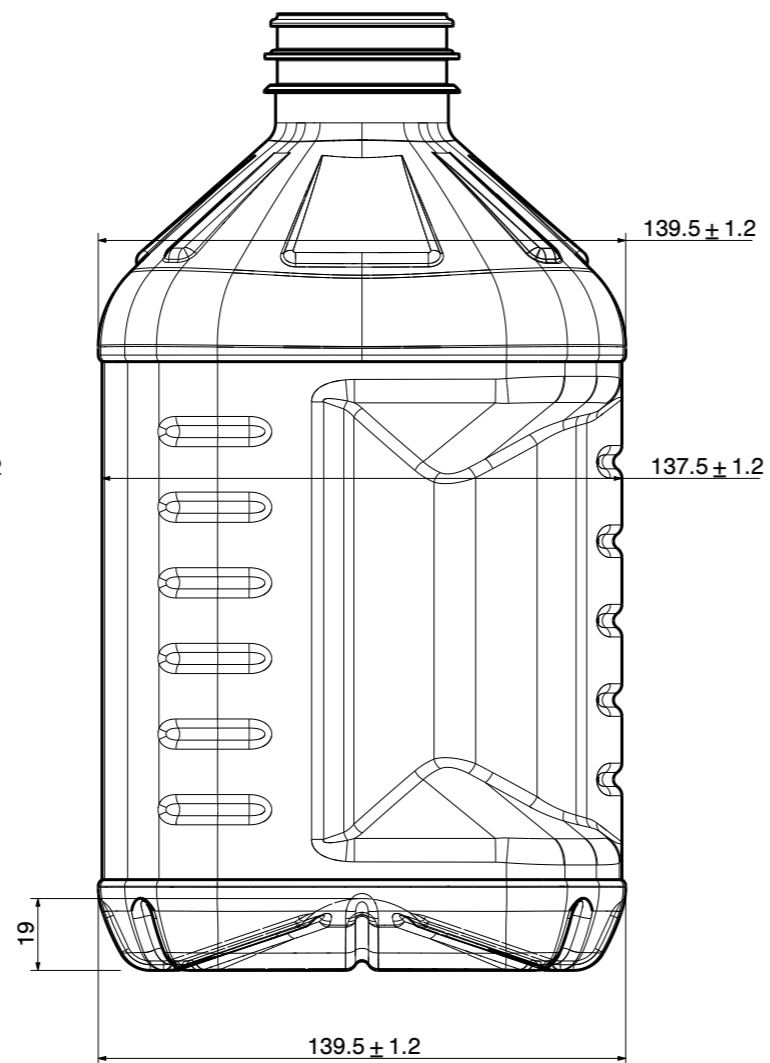
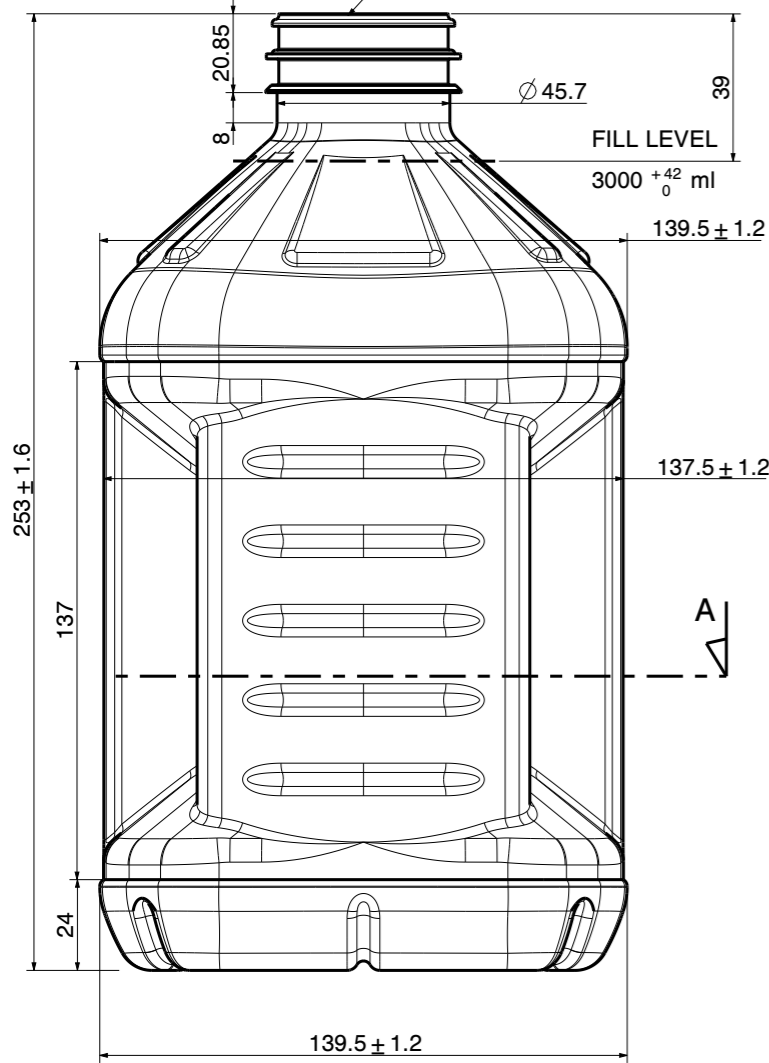
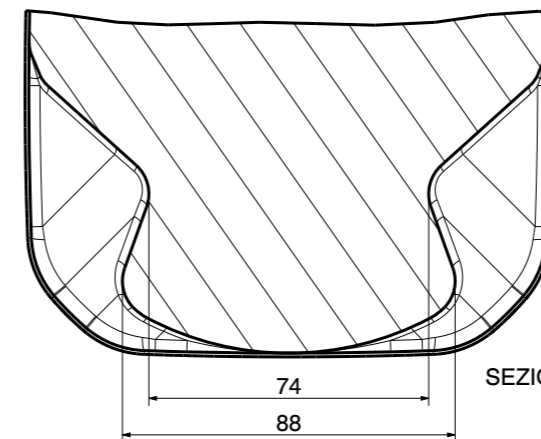


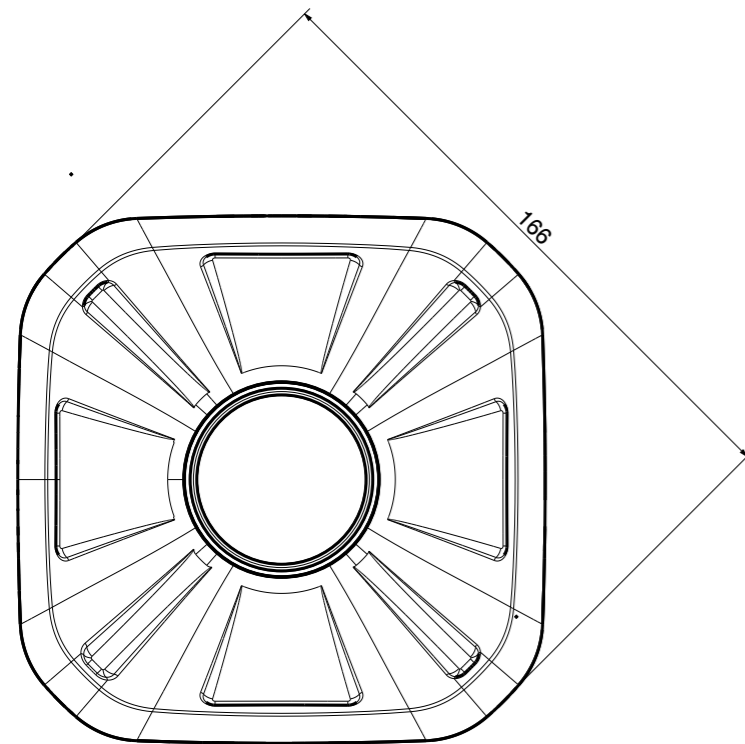
48mm BERICAP SNAP - ACCORDING TO CUSTOMER DRAWING



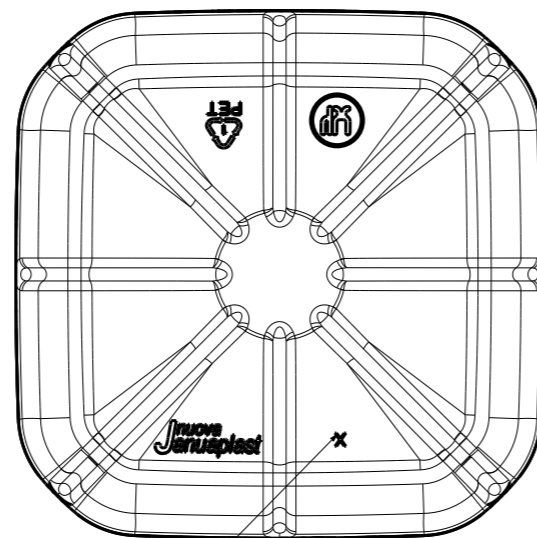
A



SEZIONE A-A



TOP VIEW



CAVITY NUMBER

BOTTOM VIEW



shaping your projects

SIAP
via Ferrovia Nord, 45
31020 San Vendemiano (TV) Italy
tel. +39.0438.4096 / fax +39.0438.401016
info@siapi.it

This drawing is property of SIAP s.r.l. and it can not be copied or given to third persons, in whole or in part, without prior written permission of SIAP.

3	MOD. TEXTURE: DA PR53 A PR68	25/05/2010	CARNIO
2	MOD. NERV. ANGOL. (-10mm) E ROMBI SULLA SPALLA	18/05/2010	CARNIO
1	ALLUNGATO DI 2 mm IL COLLO E LUNG. TOTALE	14/05/2010	CARNIO
N° MOD.	MODIFY DESCRIPTION	DATE	CAD DESIGNER

CAD DESIGNER	FLUID	PREFORM MATERIAL
CARNIO	OIL	PET
DATE	SCALE	FORMED SHEET
06/05/2010	1:2	A3
BRIMFULL CAPACITY	FILL-POINT CAPACITY	NOMINAL CAPACITY
3070	3000ml	3000ml
PREFORM WEIGHT	NECK WEIGHT	TOLERANCE FOR HOLDING USE
100g.	12.1g.	STANDARD SIAP

DESCRIPTION
NUOVA JANUAPLAST: 3000ml flat base square bottle

DRAWING N°	U.M. mm
038000112603	