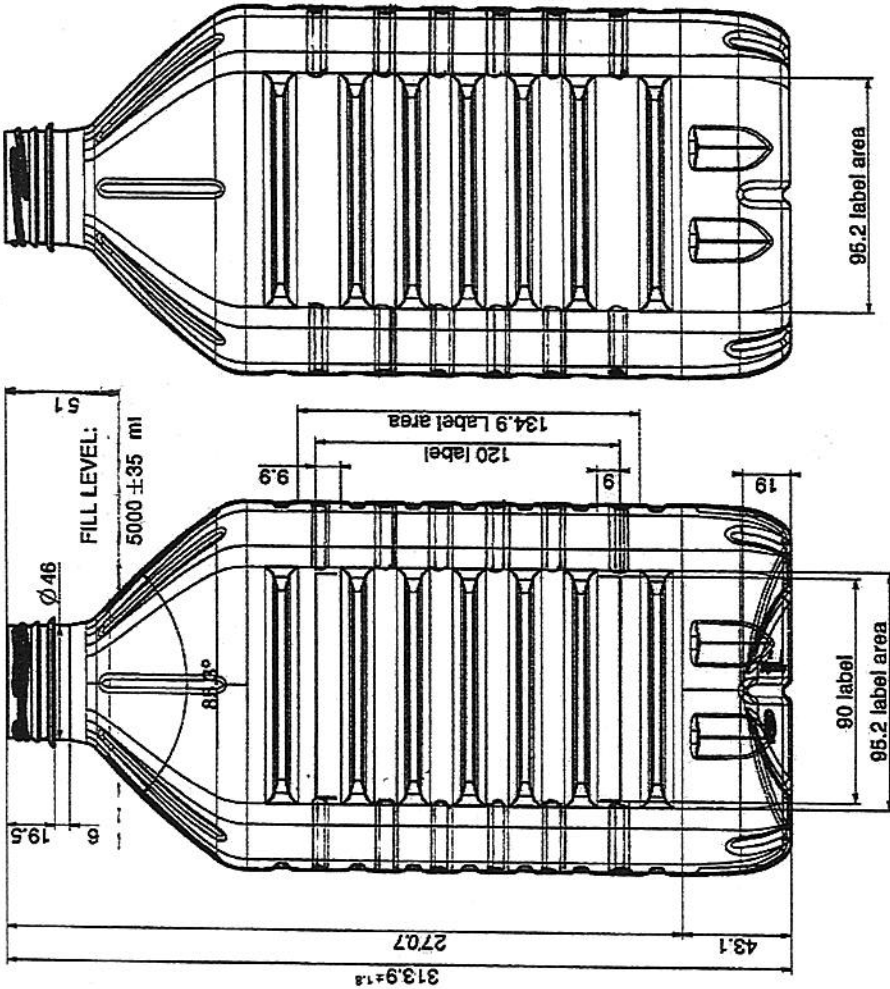
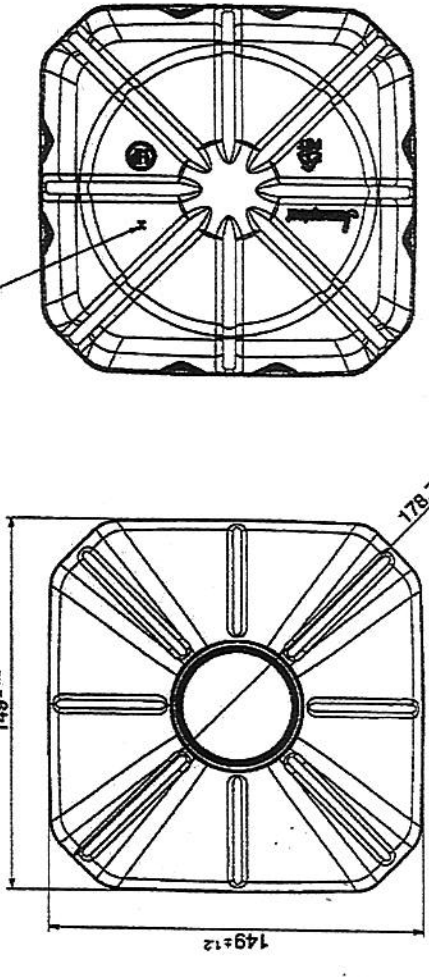



GARANZIA CARICO VERTICALE > 35kg



CAVITY NUMBER



 <p>SIAP shipping your projects 31020 San Vendemiano (TV) Italy Tel. +39 0423 8092 / fax +39 0423 801016 info@siap.it</p>		CAD DESIGNER		FLUID		PREFORM MATERIAL	
		Carmelo		SCALE 1:1.5		PET	
DATE 22/01/2017		FORMED SHEET A3		THREAD TYPE 48mm Berleap		NOMINAL CAPACITY 5000 ml	
BRIM FULL CAPACITY 5125 ml		FILL POINT CAPACITY 4908 ml		TOLERANCE FOR HOLDING USE STANDARD SIAP I			
PREFORM WEIGHT 90 g		NECK WEIGHT 10.6 g					
DESCRIPTION							
		JANUAPLAST: 5L BOTTLE				U.M. mm	
		DRAWING N°				038000199008	

TOP VIEW

BOTTOM VIEW