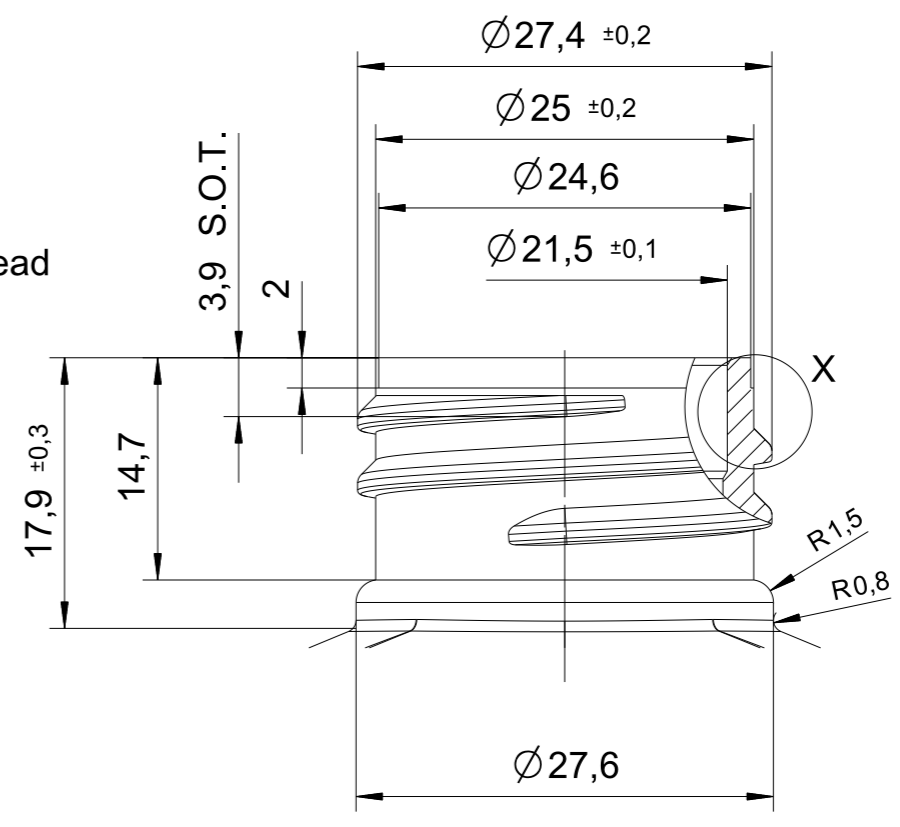
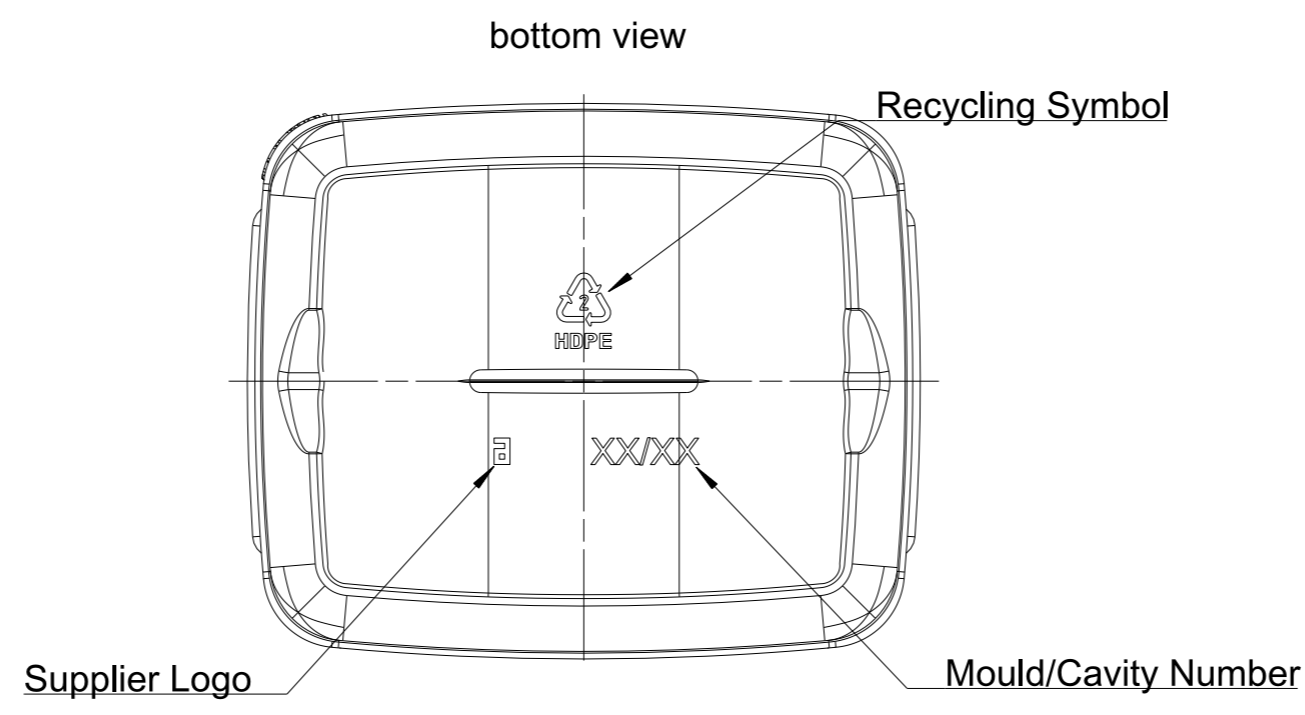
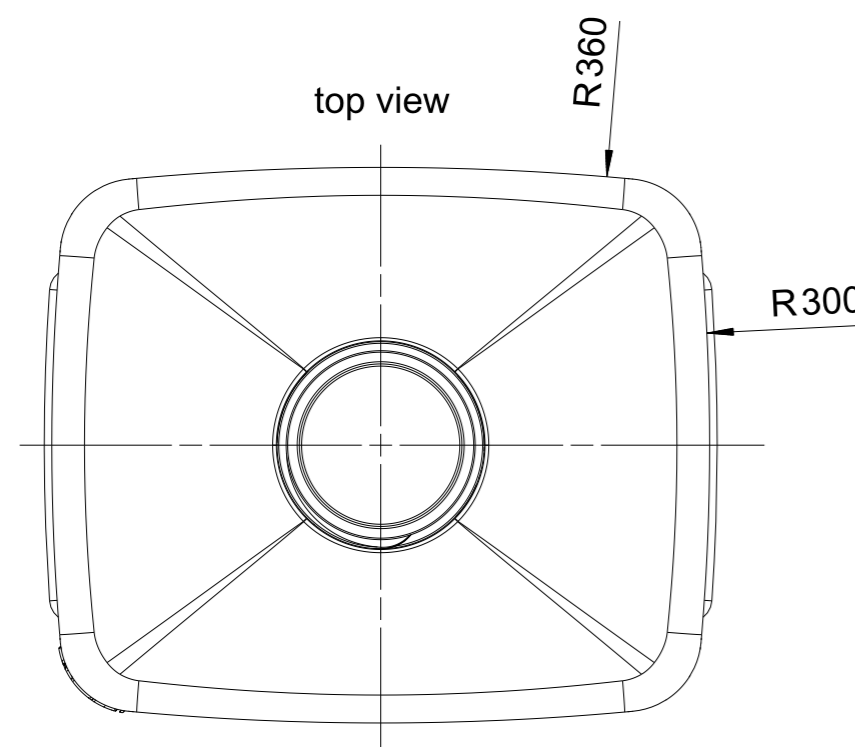
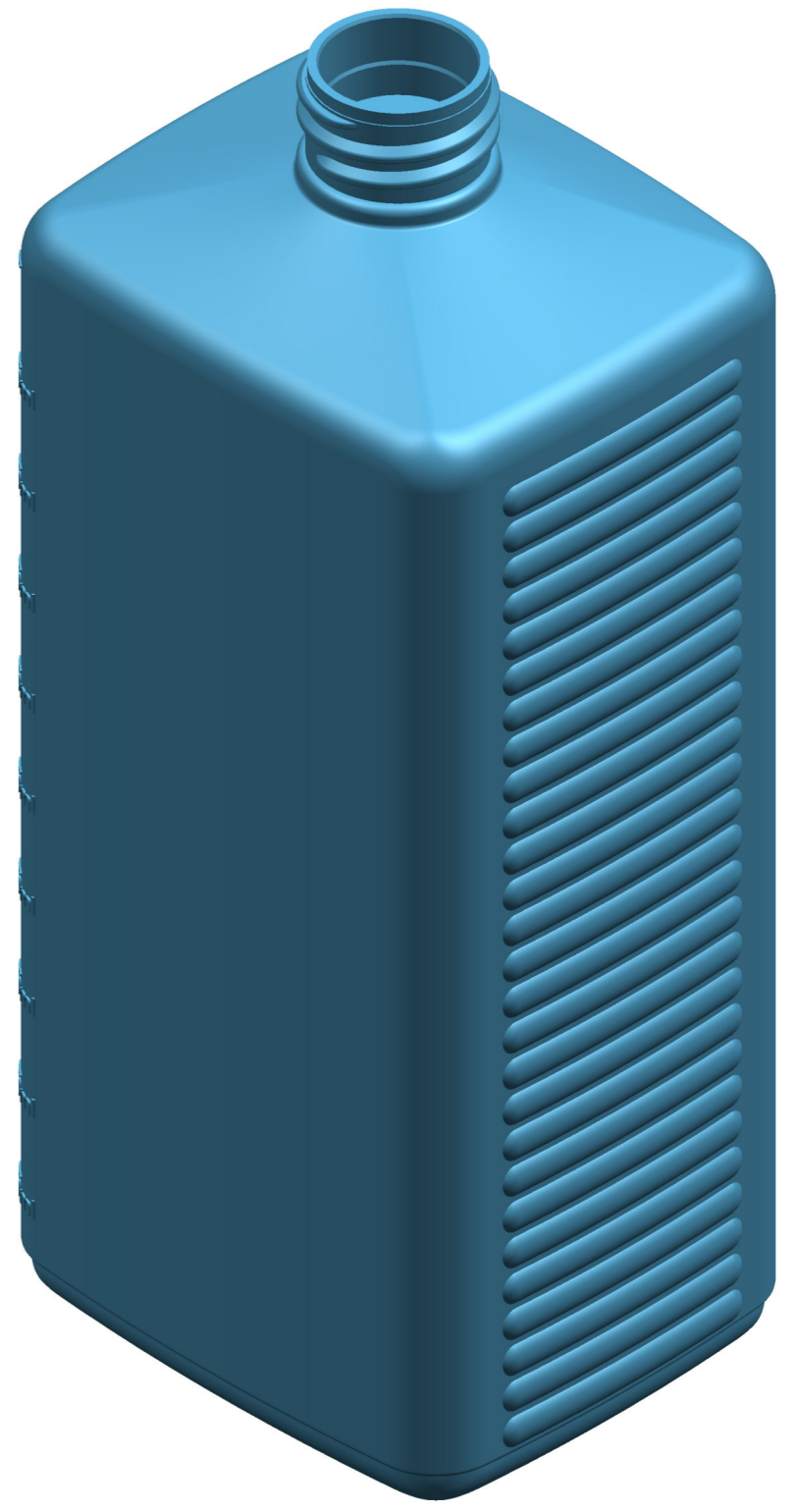
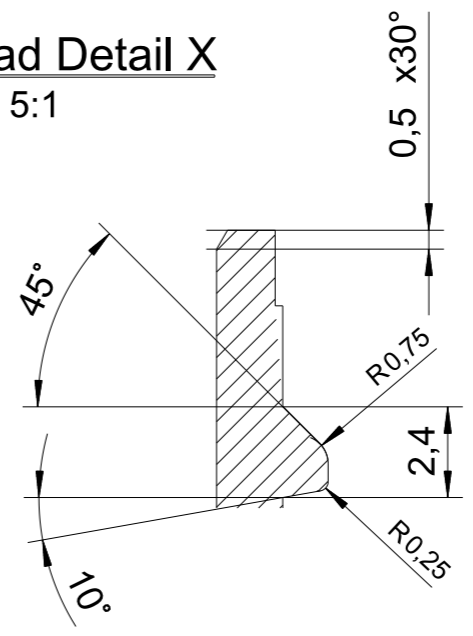


Neck Detail:
 Scale 2:1
 Pitch: 4,23mm
 Turns: 2 without start
 and end of thread
 Starts: 1start thread



Thread Detail X
 Scale: 5:1



Material : HDPE
 Weight : 50g ± 2g
 Volume : 1000ml fill level
 1056ml ± 20ml brimfull (1a)
 Srface area : 65582mm²

1c	was 73,5mm	AO	22.10.20			
1a	was 1078ml	AO	22.10.20	1b	was 87mm	AO 22.10.20

Index	Modification	Name	Date	Index	Modification	Name	Date
Scale:		Name		Date			
1 : 1		Prepared: oekmen		11.08.2020			
2:1 5:1		Reviewed: iwan		11.08.2020			
ALPLA reserves all rights to the technical IP contained in the document		Superseded: -					
		Superseded by: -					
		Weight:					
Title:				Art.No.:		Page: 1 of 1	
Eurospender 1000ml F1007 Neck 1 (28/410) article drawing				Drawing No.:		Revision: 01	
				A002_2_9202_720_08622_Rev1_Z01			

