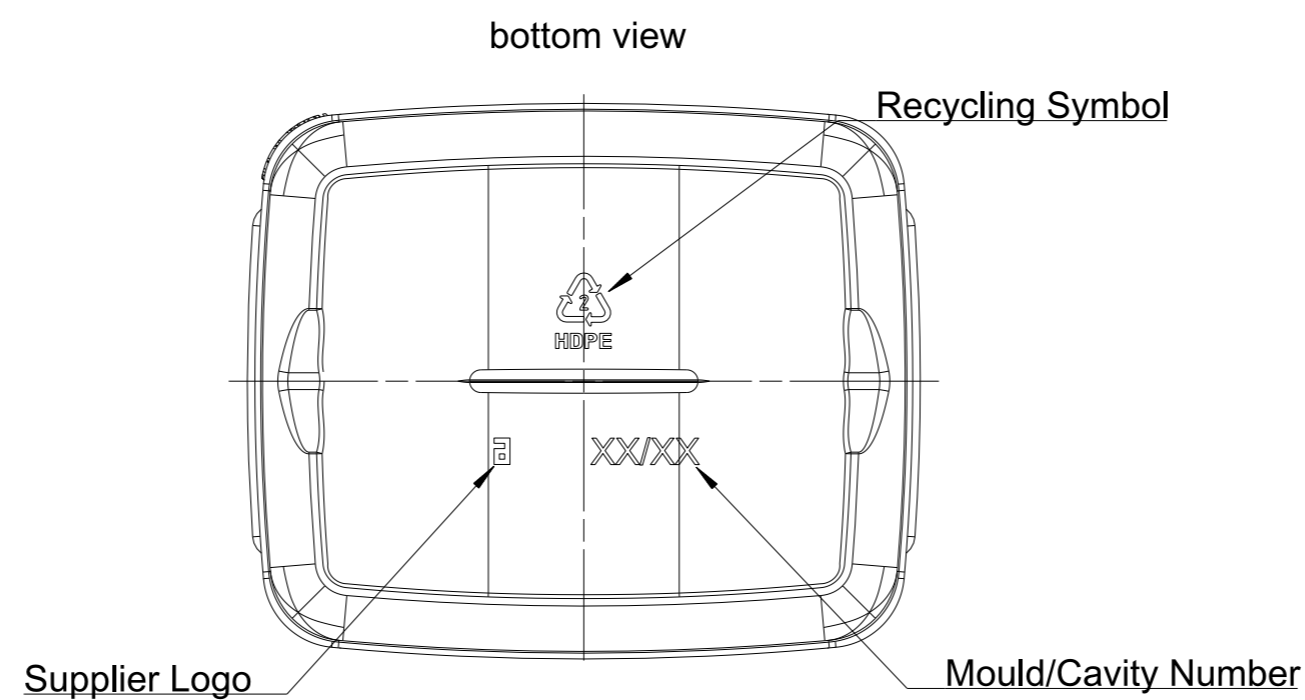
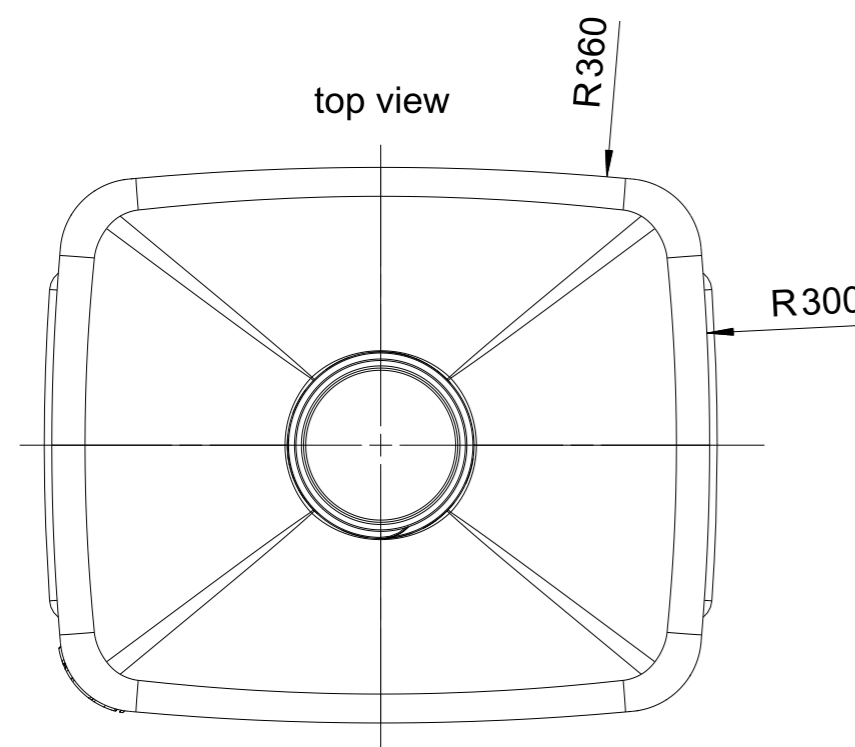
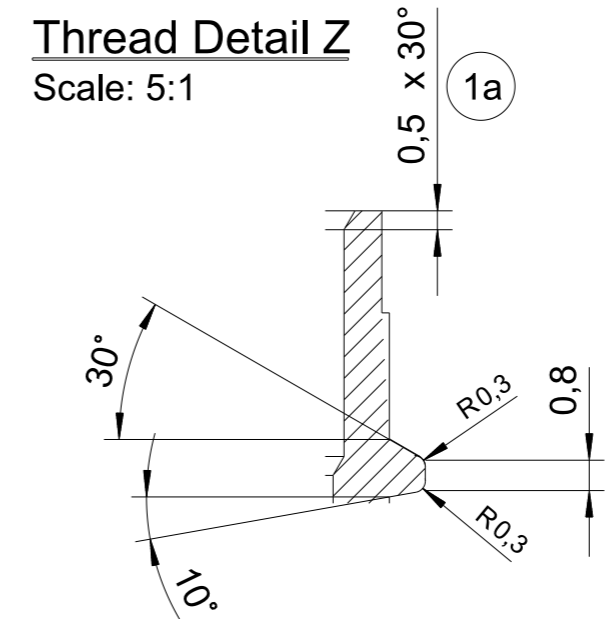


**Neck Detail:**  
 Scale 2:1  
 Pitch: 3mm  
 Turns: 3 without start  
 and end of thread  
 Starts: 1start thread



Material : HDPE  
 Weight : 50g ± 2g  
 Volume : 1000ml fill level  
 1053ml ± 20ml brimfull (2a)  
 Srface area : 65529mm<sup>2</sup>

2b	was 87mm	AO	22.10.20	2c	was 73,5mm	AO	22.10.20
1a	chamfer added	AO	28.09.20	2a	was 1075ml	AO	22.10.20

Index	Modification	Name	Date	Index	Modification	Name	Date
Scale:		Name	Date				
1 : 1		Prepared: oekmen	11.08.2020				
2:1 5:1		Reviewed: iwan	11.08.2020				
ALPLA reserves all rights to the technical IP contained in the document		Superseded by: -					
		Superseded by: -					
		Weight:					
Title:		Art.No.:		Page: 1 of 1			
Eurospender 1000ml F1009 Neck 3 (DIN 25) article drawing		Drawing No.:		Revision: 02			
		A002_2_9202_720_08622_Rev2_Z03					

