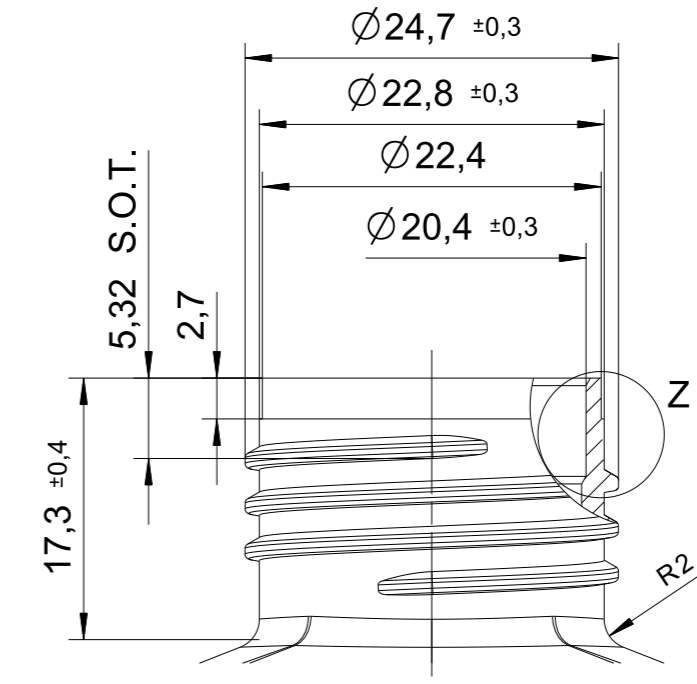
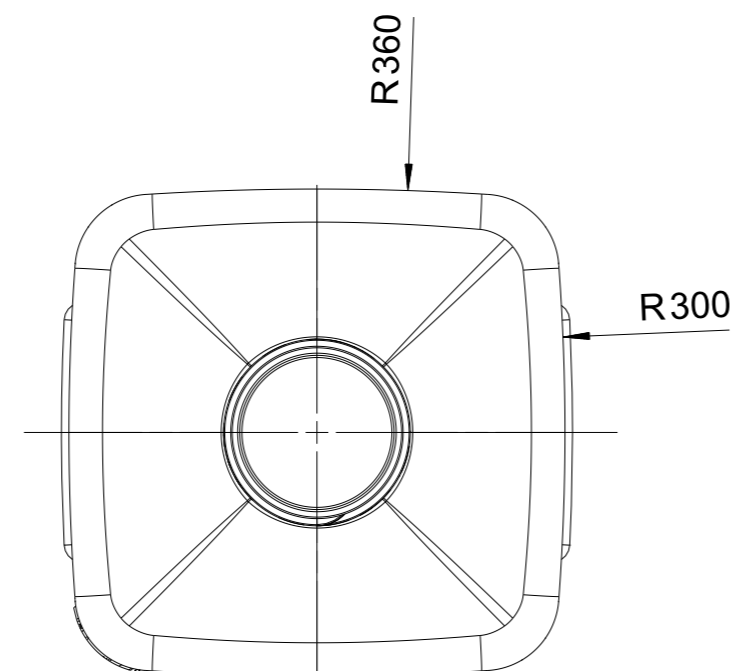
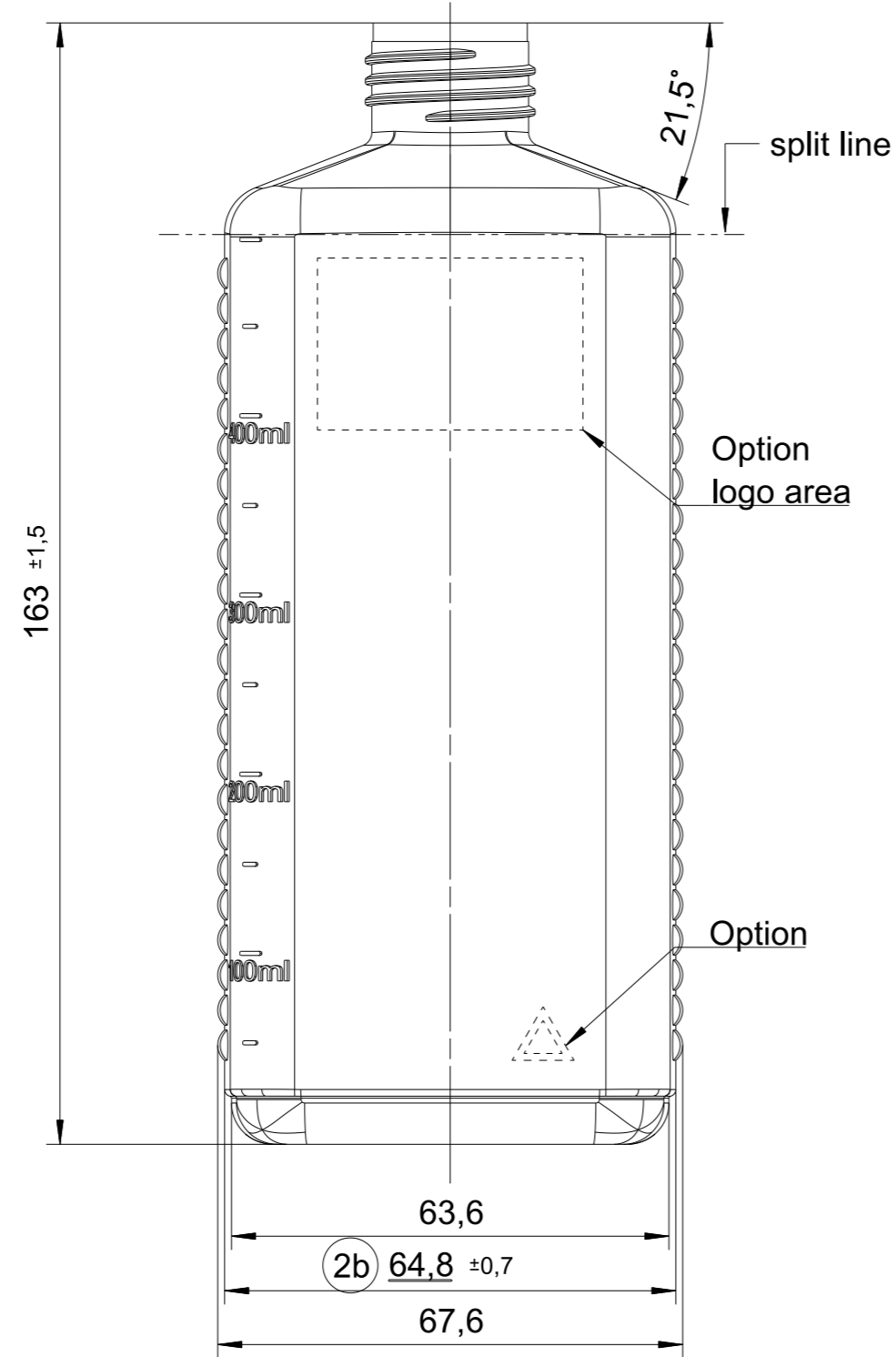
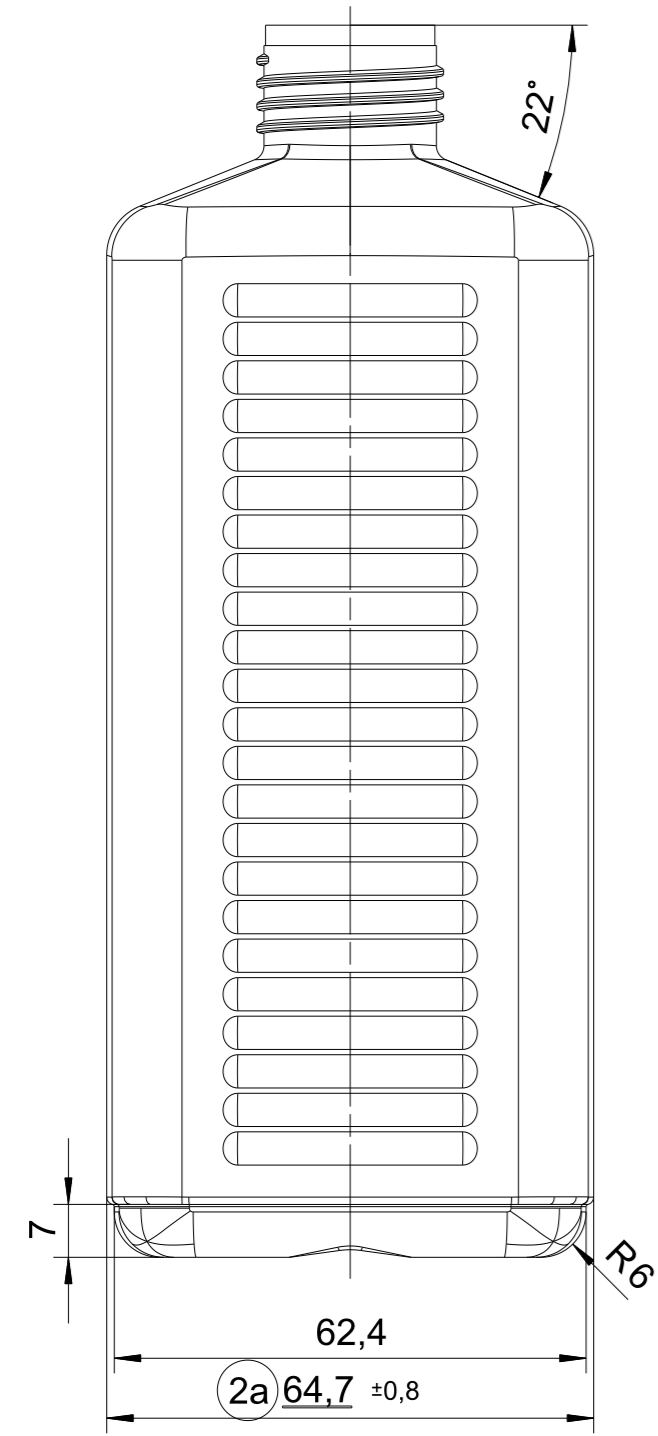
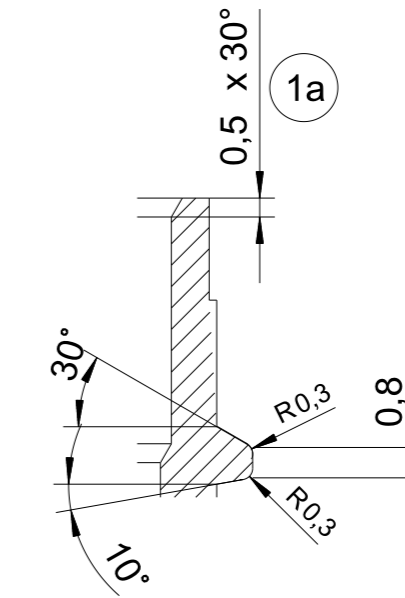


Neck Detail:
 Scale 2:1
 Pitch: 3mm
 Turns: 3 without start
 and end of thread
 Start: 1start thread



Thread Detail Z
 Scale: 5:1



Material : HDPE
 Weight : 38g ± 2g
 Volume : 500ml fill level
 530ml ± 10ml brimfull (2c)
 Surface area : 42005mm²

2b	was 65,6mm	AO	23.11.20	2c	was 544ml	AO	23.11.20
1a	chamfer added	AO	28.09.20	2a	was 64,4mm	AO	23.11.20

Index	Modification	Name	Date	Index	Modification	Name	Date
-------	--------------	------	------	-------	--------------	------	------

General Tolerance BOMOLDING ARTICLE: DIN ISO 2768-s INJECTION ARTICLE: DIN ISO 1801/1804 PREFORM: DIN ISO 1801/130A	Scale:	Name		Date		
	1:1	Prepared:	oekmen	11.08.2020		
	2:1 5:1	Reviewed:	iwan	11.08.2020		
	ALPLA reserves all rights to the technical IP contained in the document		Superseded: -			
			Superseded by: -			
Title:		Weight:		Art.No.:		
Eurospender 500ml F498 Neck 3 (DIN 25) article drawing				Page: 1 of 1		
				Drawing No.:		
				Revision: 02		
				A003_2_9202_720_08618_Rev2_Z03		

ALPLA