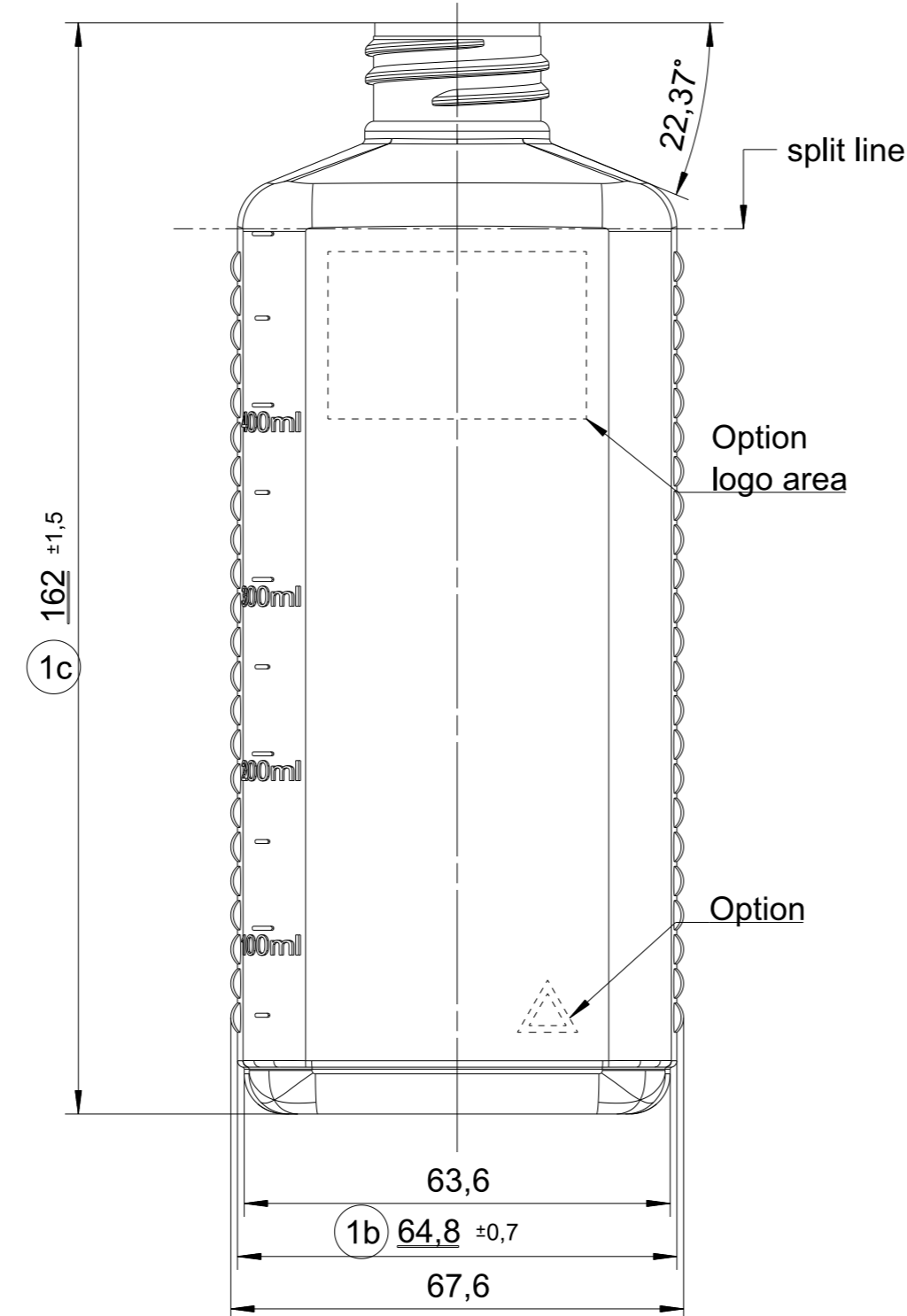
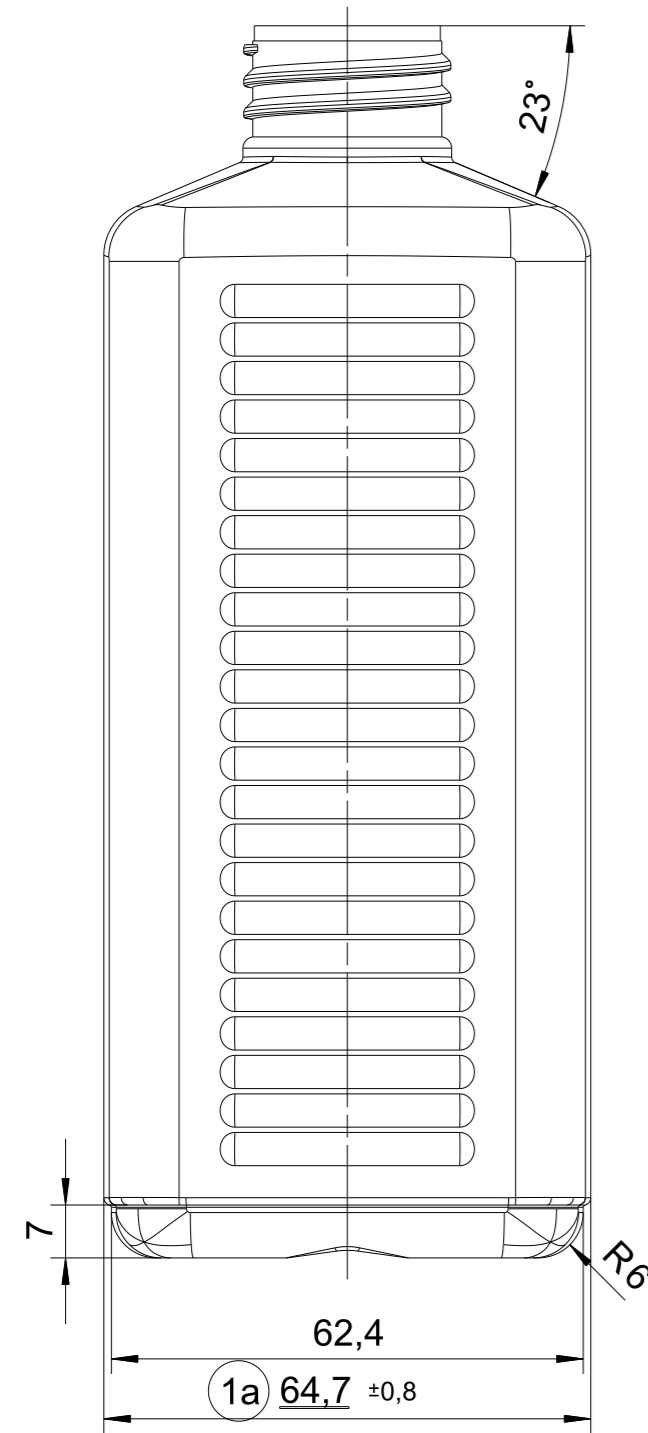
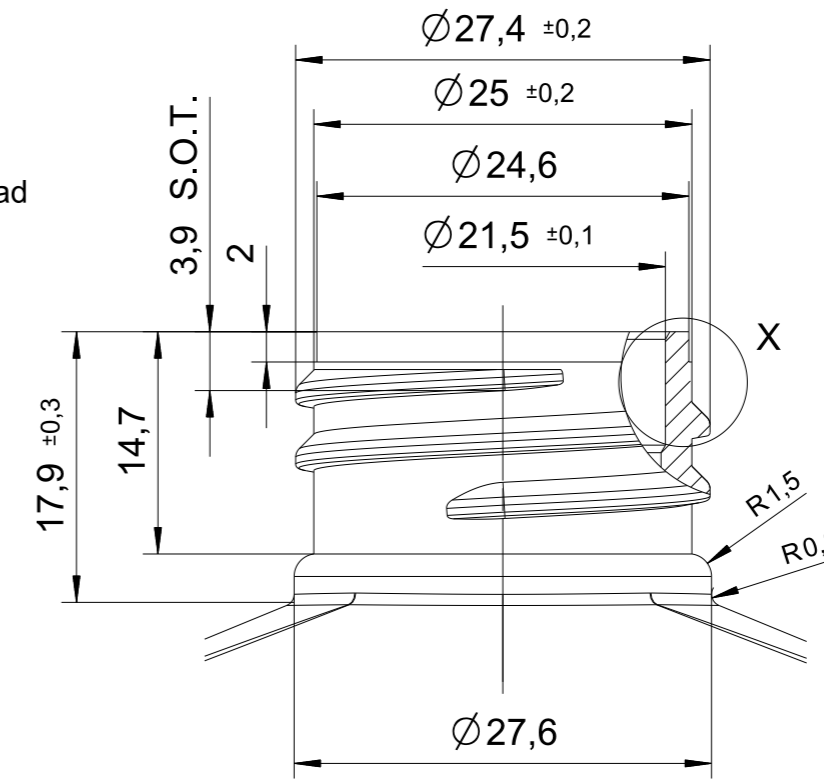
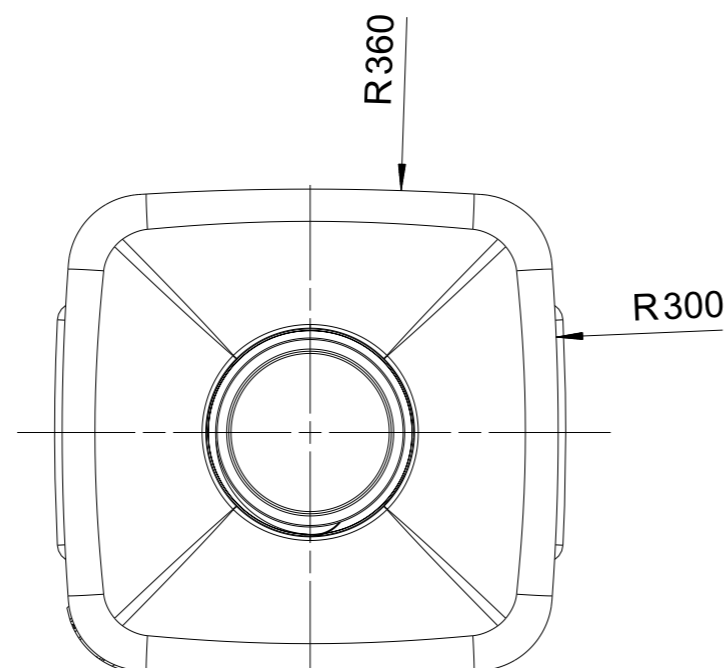
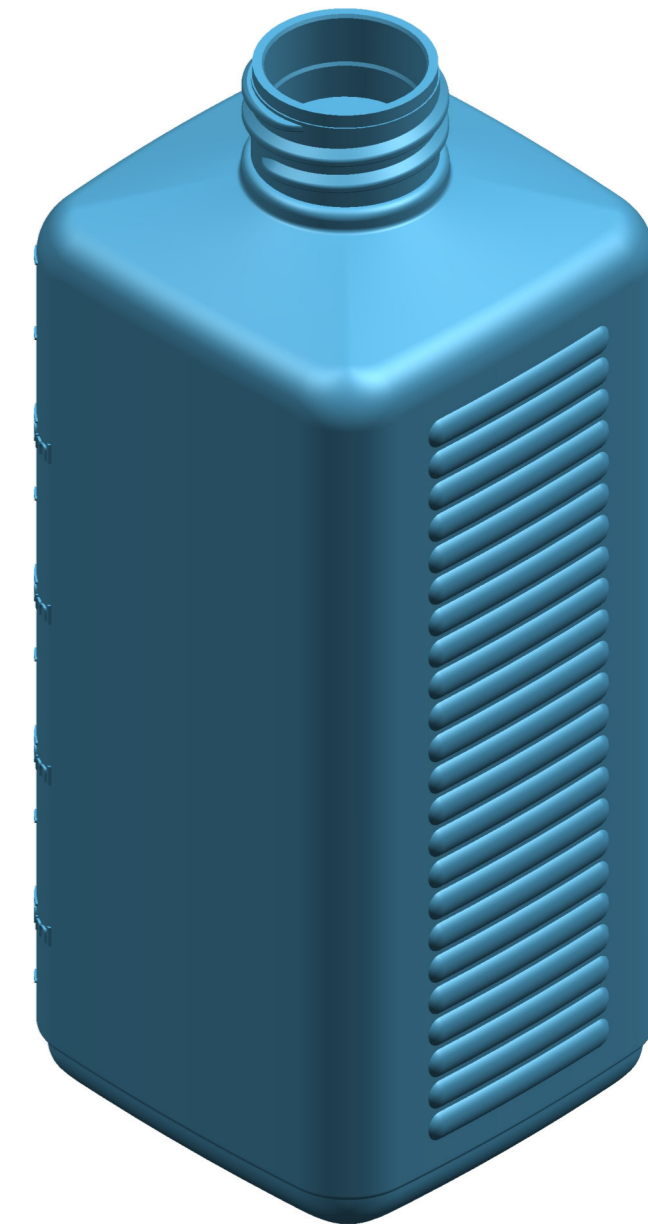
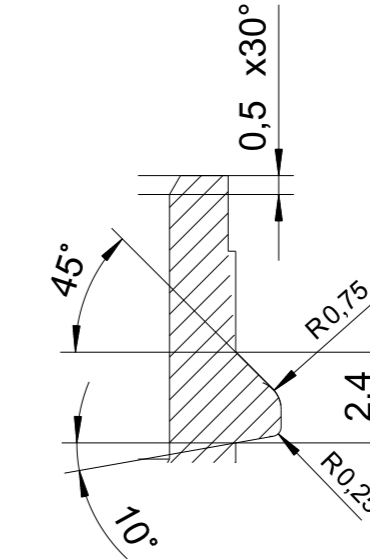


Neck Detail:
 Scale: 2:1
 Pitch: 4,23mm
 Turns: 2 without start
 and end of thread
 Starts: 1start thread



Thread Detail X
 Scale: 5:1



Material : HDPE
 Weight : 38g ± 2g
 Volume : 500ml fill level
 530ml ± 10ml brimfull (1d)
 Surface area : 42048mm²

1c	was 163mm	AO	23.11.20	1d	was 546ml	AO	23.11.20
1a	was 64,4mm	AO	23.11.20	1b	was 65,6mm	AO	23.11.20

Index	Modification	Name	Date	Index	Modification	Name	Date
Scale:		Name		Date			
1:1		Prepared: oekmen		11.08.2020			
2:1 5:1		Reviewed: iwan		11.08.2020			
ALPLA reserves all rights to the technical IP contained in the document		Superseded: -					
		Superseded by: -					
		Weight:					
Title:				Art.No.:		Page: 1 of 1	
Eurospender 500ml F500 Neck 1 (28/410) article drawing				Drawing No.:		Revision: 01	
				A003_2_9202_720_08618_Rev1_Z01			

ALPLA