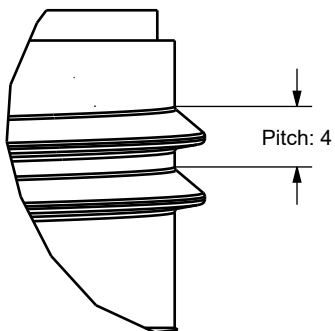
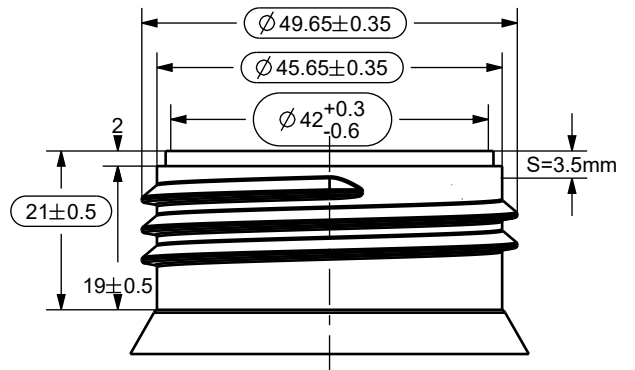
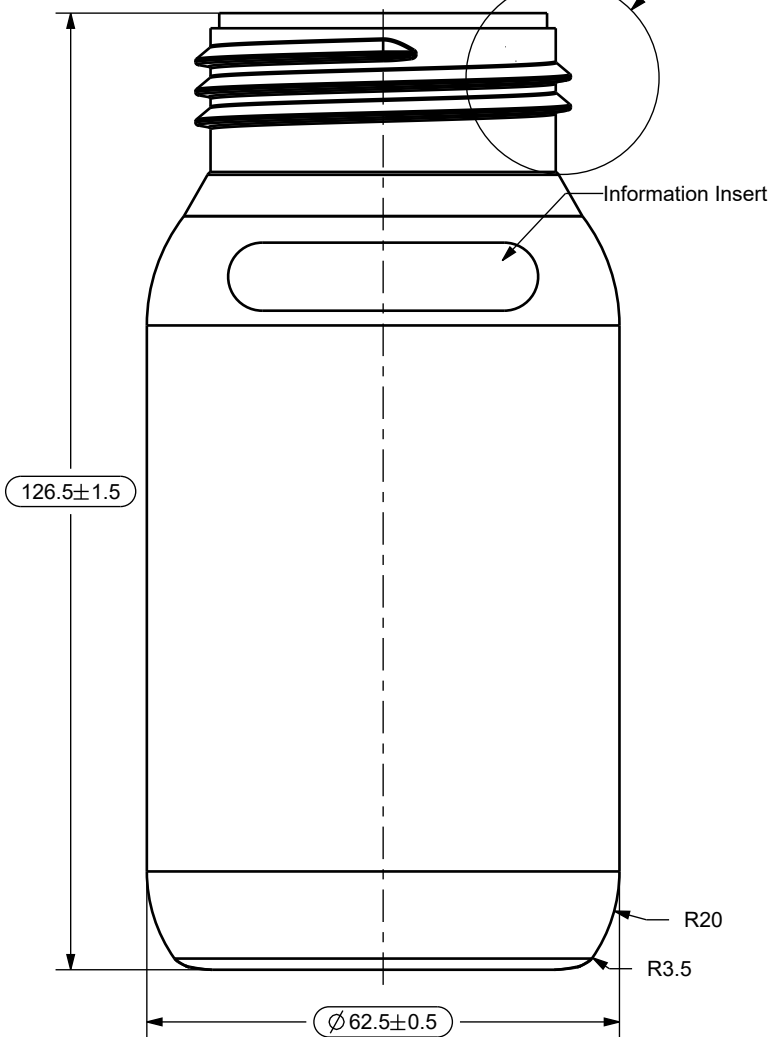


SEE DETAIL A



DETAIL A
SCALE 2:1

DRAWING No :		A4					
BTL_0580_1							
SCALE :		1:1 / 2:1					
	DATE	NAME					
DRAWN	01/09/17	N.F.					
CHECKED	01/09/17	J.A.		1	change of internal neck diameter	02/12/17	N.F.
ALPHA				0	draft (btl_0508_d) to final	03/11/17	N.F.
				INDEX	MODIFICATION	DATE	NAME
We reserve all rights in this document and in the information contained there in						REV	SHEET
				SUPERSEDES : 3/11/17		1	1
				REPLACED BY : S.T.			1