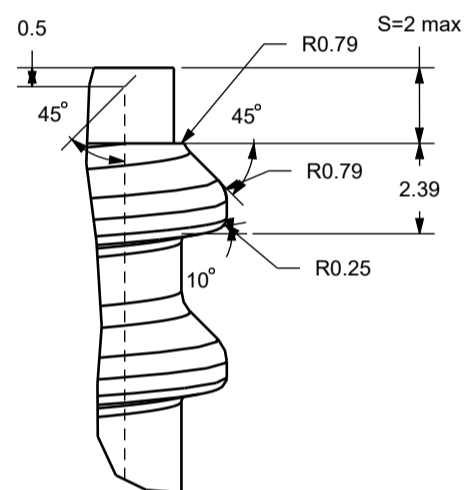
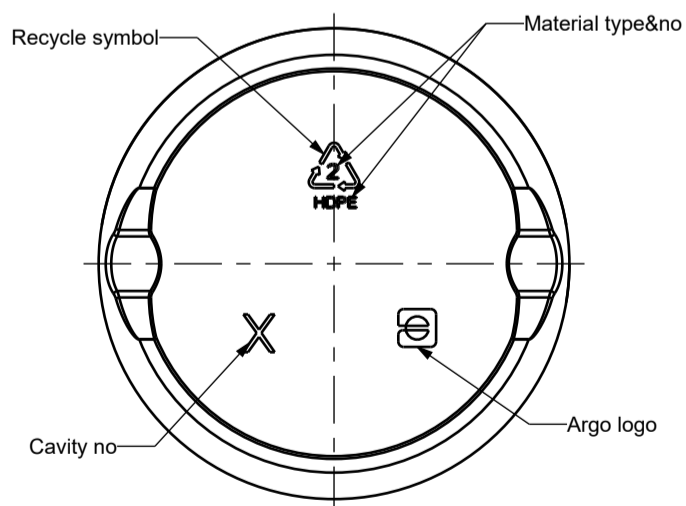


DETAIL A  
SCALE 2:1



SCALE 5:1  
PITCH : 4.23mm



SCALE 1:1

DRAWING No :		A3			
BTL_0297_N					
SCALE :		1:1 / 2:1 / 5:1			
	DATE	NAME			
DRAWN	10/03/10	N.G			
CHECKED	07/10/10	G.B.			
<b>ALPLA</b>		Modify height tolerance		07/10/10	N.G.
		INDEX MODIFICATION		DATE	NAME
We reserve all rights in this document and in the information contained there in		SUPERSEDES : 29/06/10		REV	SHEET
		REPLACED BY : S.T.			1