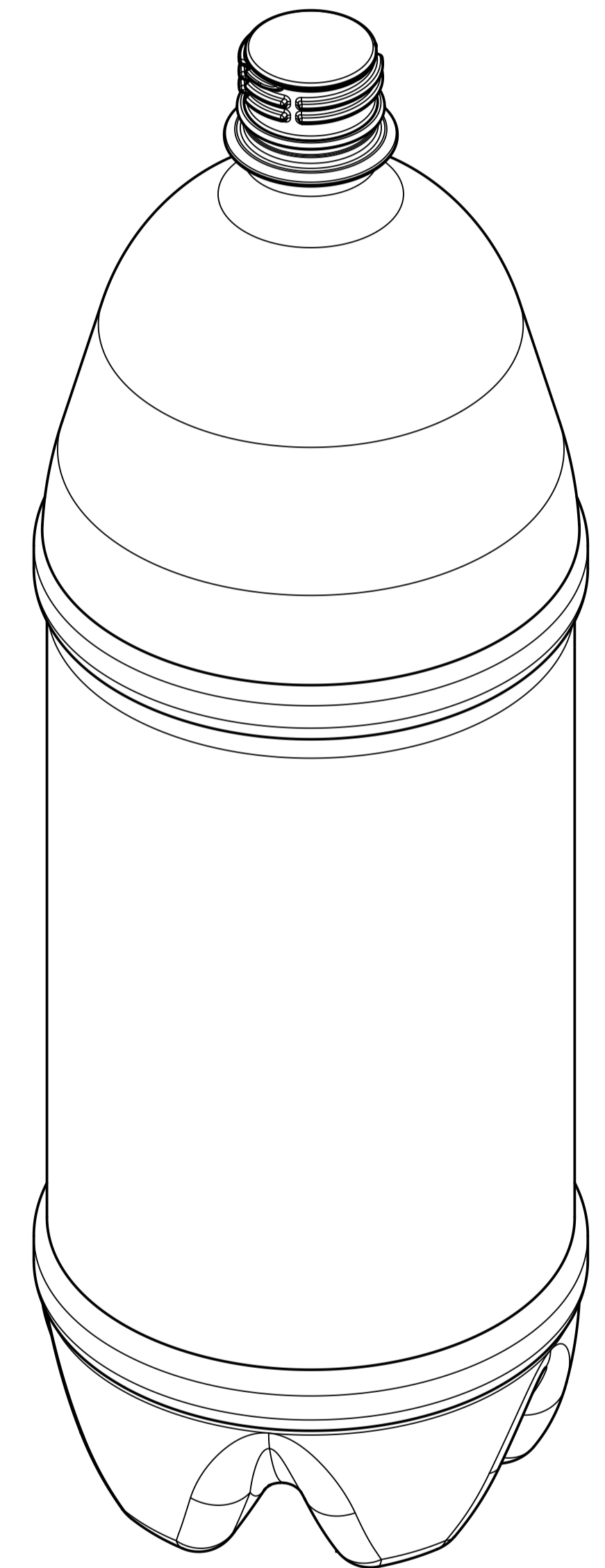
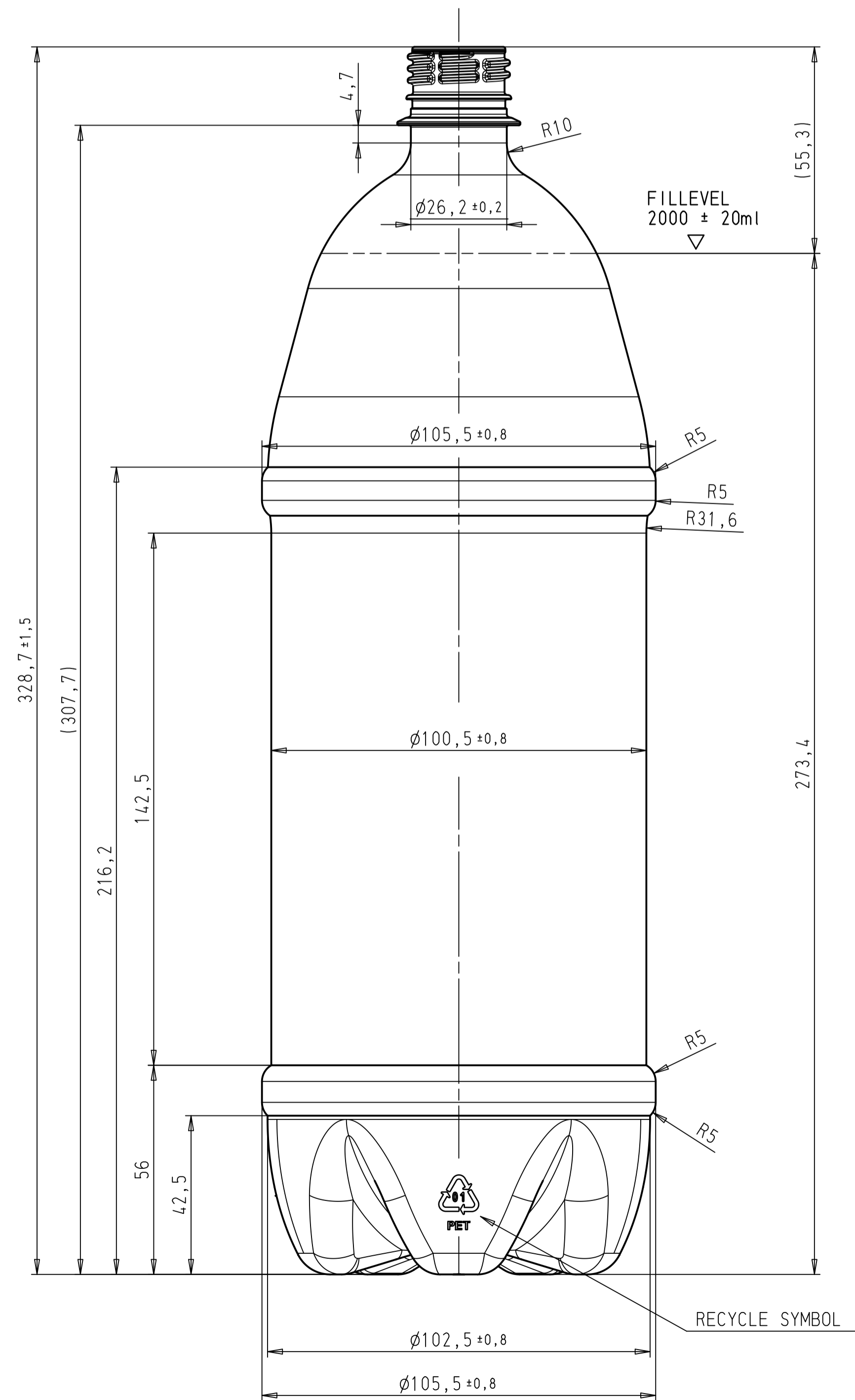
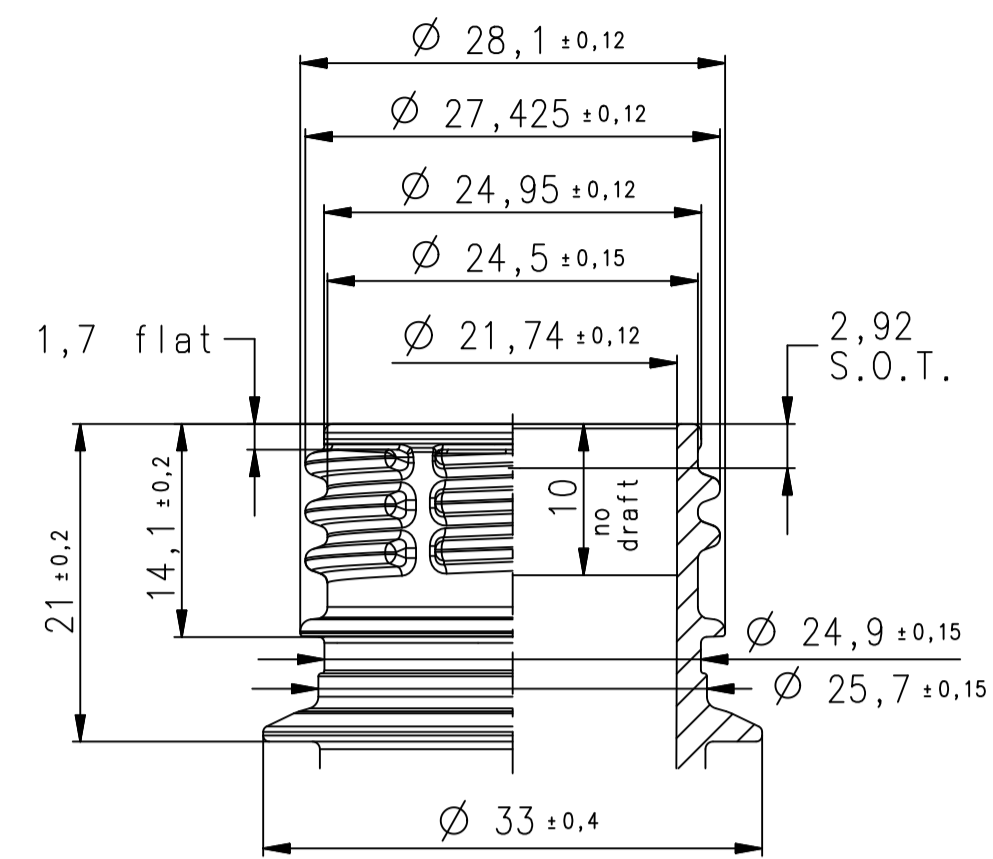


NECK DETAIL: Pitch = 8 turns/inch
 Turns = 2,25 (810°) without start and end of thread
 SCALE 2:1 Starts= 1



MATERIAL: PET
 WEIGHT : 40.9g ± 0.5g
 VOLUME : 2000ml ± 20ml FILL LEVEL
 VOLUME : 2073ml ± 20ml BRIMFUL

General Tolerance	DIN ISO 2768		DIN ISO 2768		DIN ISO 2768		
Dimensioning	DIN ISO 1101		DIN ISO 1101		DIN ISO 1101		
Surface texture	DIN ISO 4287		DIN ISO 4287		DIN ISO 4287		
Welding	DIN ISO 10002		DIN ISO 10002		DIN ISO 10002		
Index	Modification:	Name	Date	Index	Modification:	Name	Date
Scale:	1:1	Name	Date	2:1	Name	Date	
Prepared:	Giesinger Arno	03.05.10		Reviewed:	Giesinger Arno	03.05.10	
Supersedes:	-						
Superseded by:	-						
Weight:	- kg						
Title: ISOBUILDING 2000ML (BEER)				Art.No.: -		Page: 1 of 1	
Drawing No.: 9401_002_005_03				Revision: 2			

