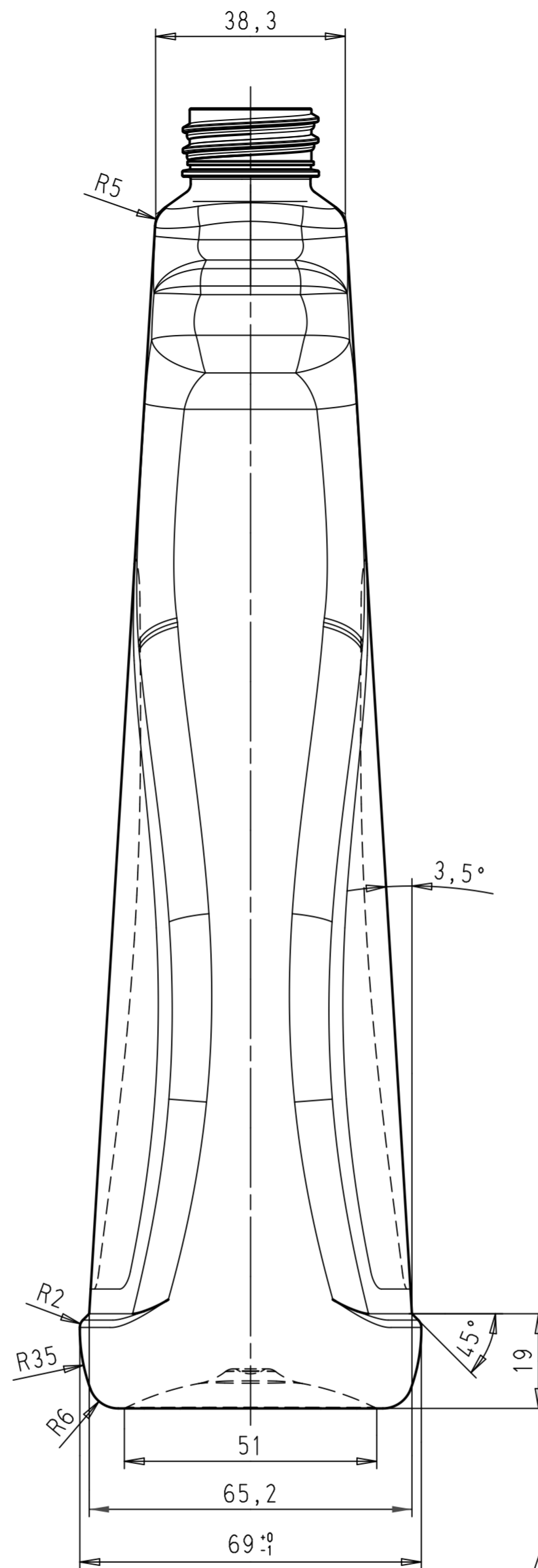
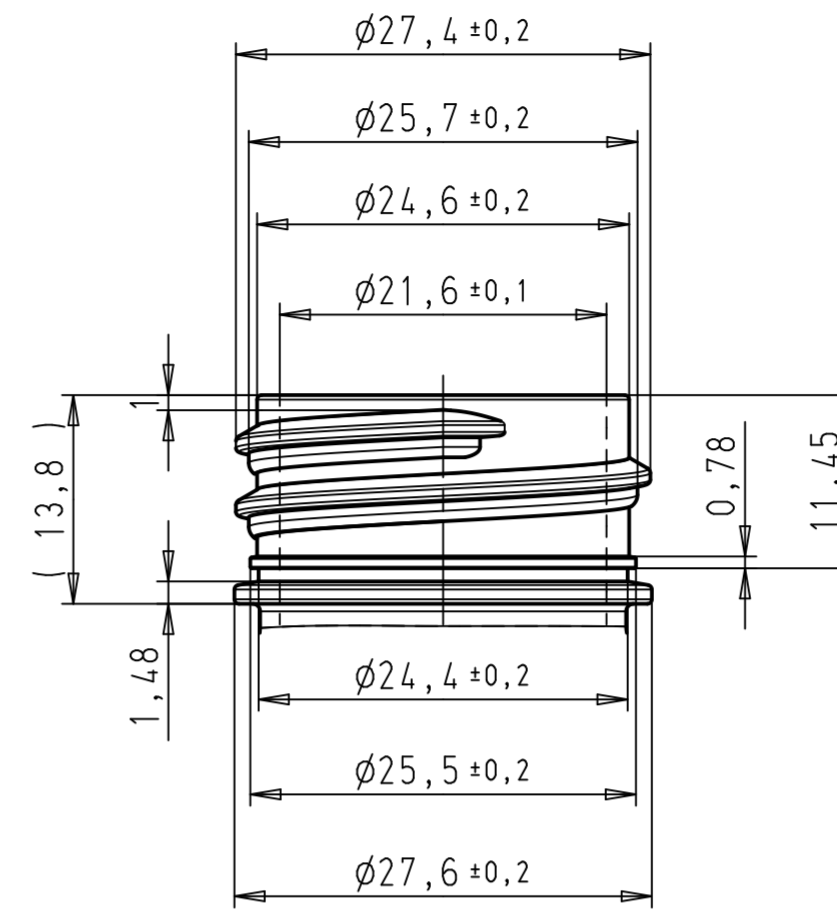


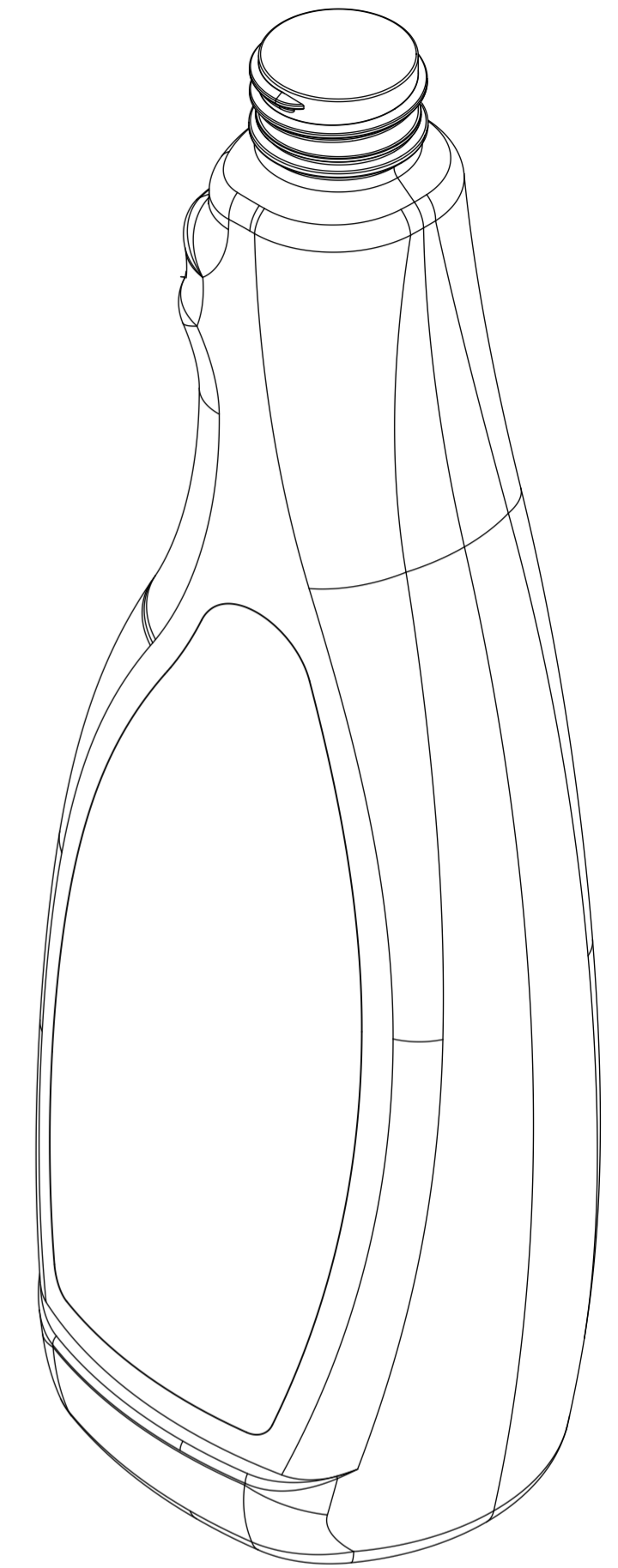
(1b)
249



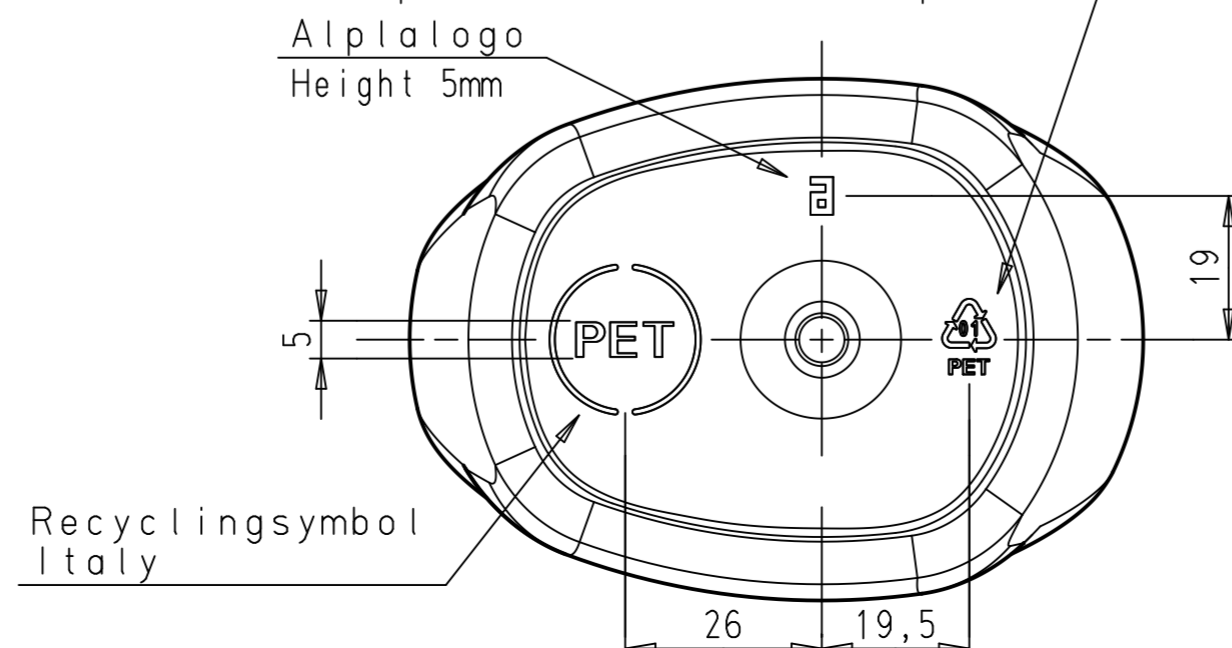
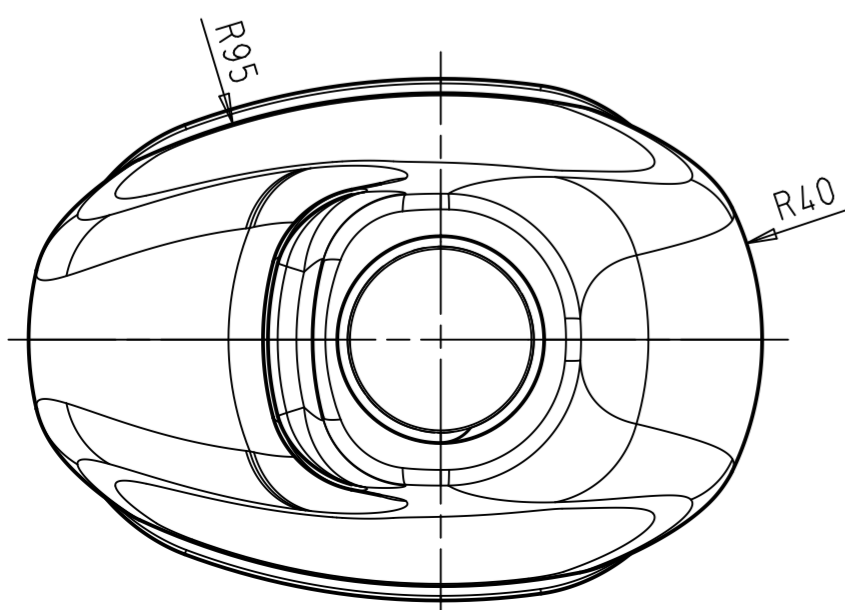
Necksection
2 : 1



Threadprofile
Threadgrade: 6 turns/inch
Thread: 1
Turns: 1,5 without start and end of thread



Material: PET
Weight : 38 ± 1 g.
Volume : 795 ± 15 ml brimfull
Volume : 750 ± 15 ml fillevel



Recyclingsymbol 3/8"

General Tolerance Blowing article: ISO/TC 3, DIS 2768 coarse series (DIN 7168 grab) Injection article: ISO/TC 3, DIS 2768 fine series (DIN 7168 feil)	2a	weight was 39g	ZTH	03.11.16				
	1a	was 5mm	BRH	22.08.02	1b	add dimension	BRH 22.08.02	
	Index	Modification:	Name	Date	Index	Modification:	Name	Date
	Scale:	Name		Date				
	1:1	Prepared:	Roeck Stefan	17.06.98				
2:1	Reviewed:	brh	22.08.02					
We reserve all rights in this document and in the information contained therein	Supersedes:	-						
	Superseded by:	-						
	Weight:	- kg						
Title:	Standard Trigger 750ml							
Art.No.:	-			Page: 1 of 1				
Drawing No.:	9402_098_012_03			Revision: 2				

