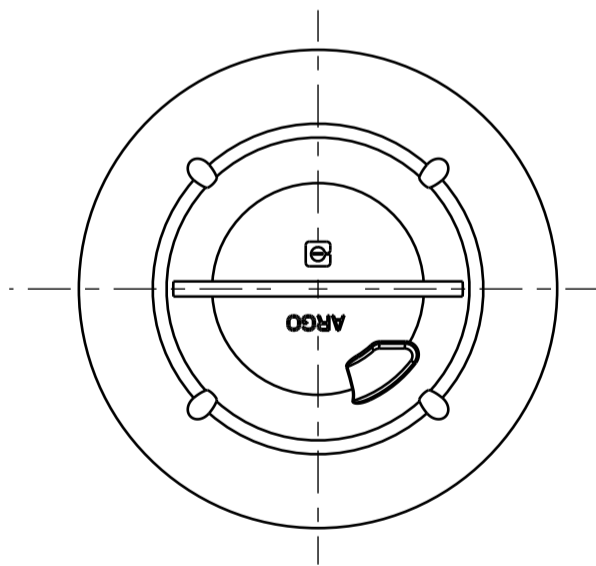
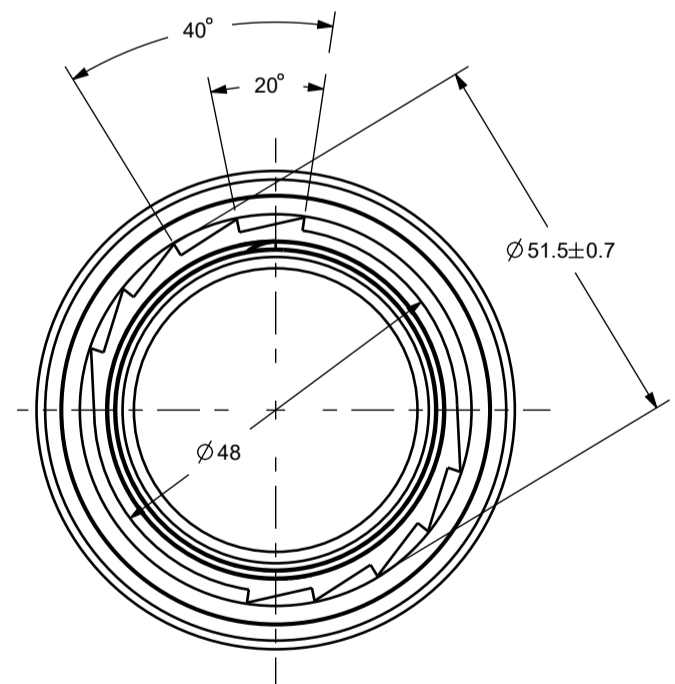


SCALE 5:1



SCALE 1:1



SCALE 1:1

DRAWING No :		A3					
BTL_0027_T							
SCALE :		1:1 / 5:1					
	DATE	NAME					
DRAWN	22/11/99	S.T.					
CHECKED	08/12/04	S.T.					
ALPLA		INDEX	MODIFICATION	DATE	NAME		
		SUPERSEDES :		REV	SHEET		
We reserve all rights in this document and in the information contained there in		REPLACED BY :				1	1