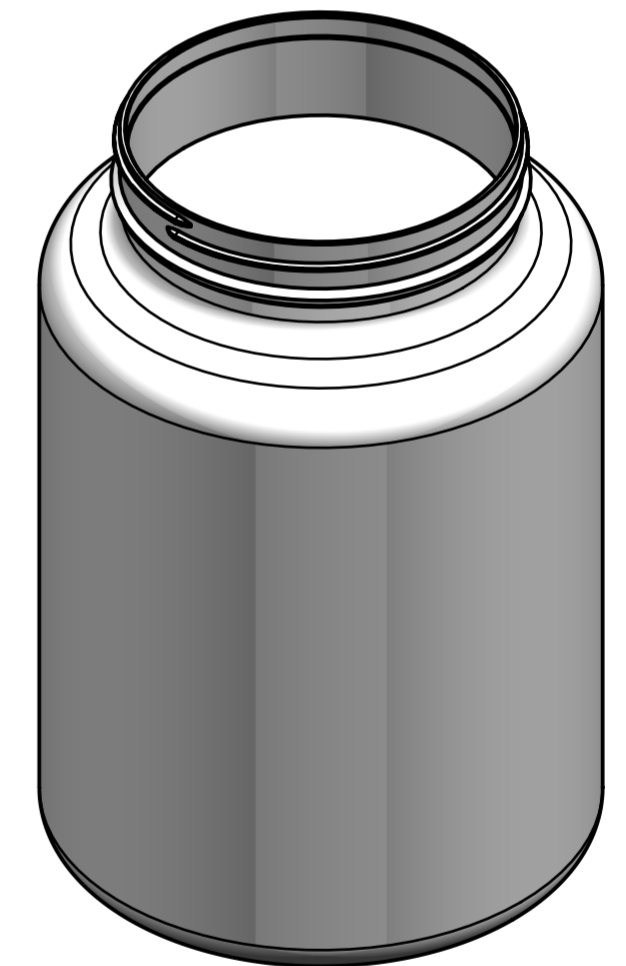
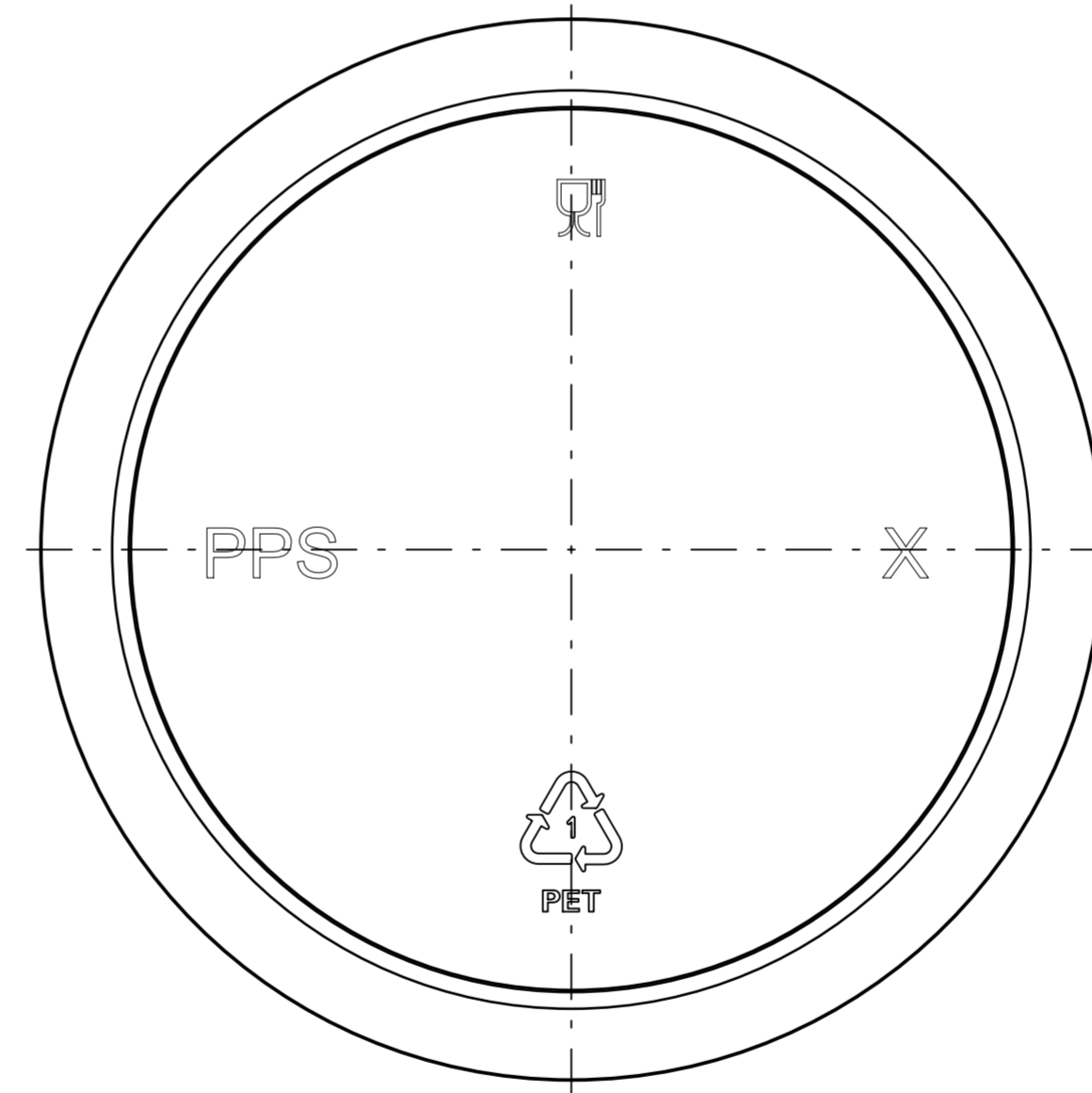
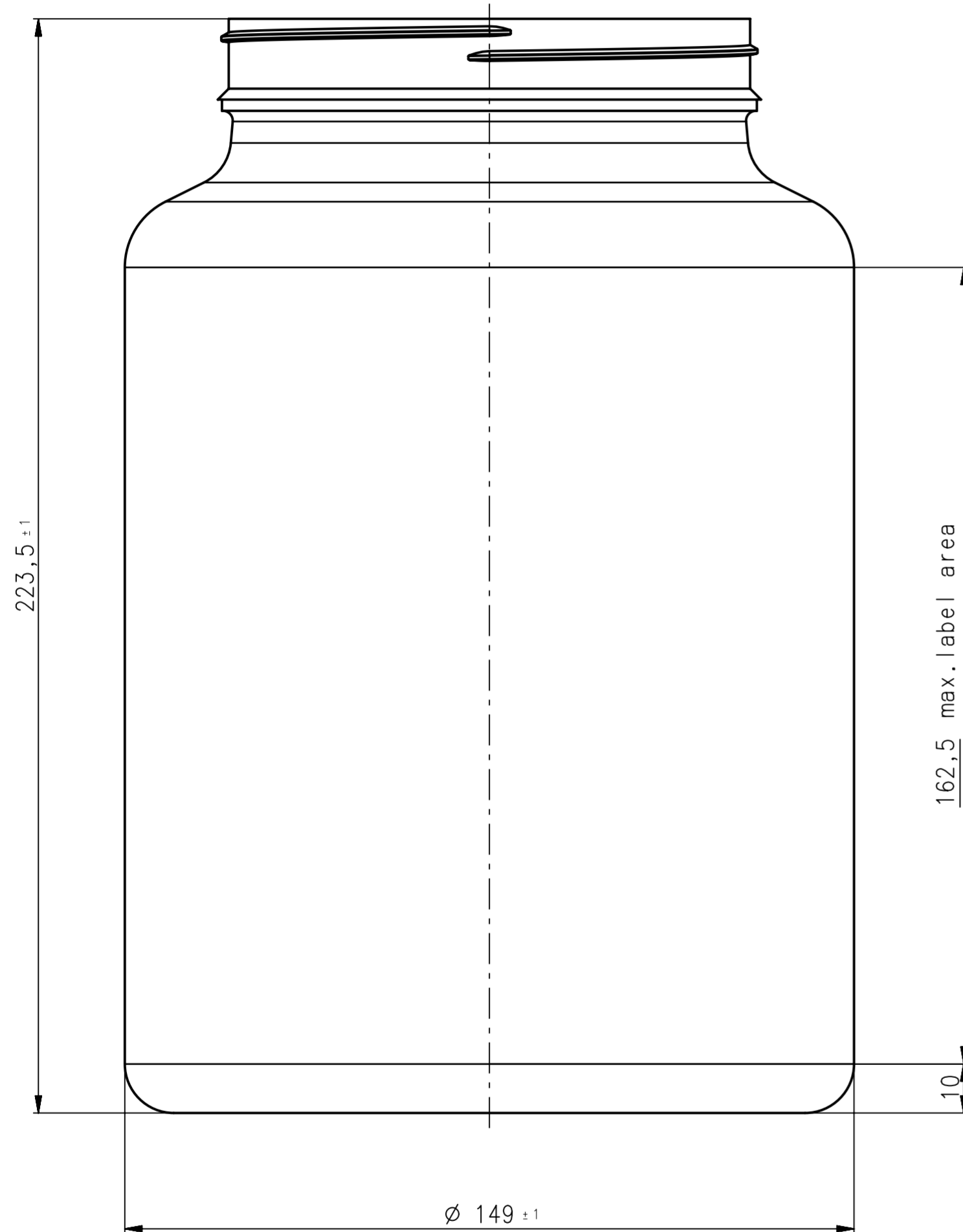
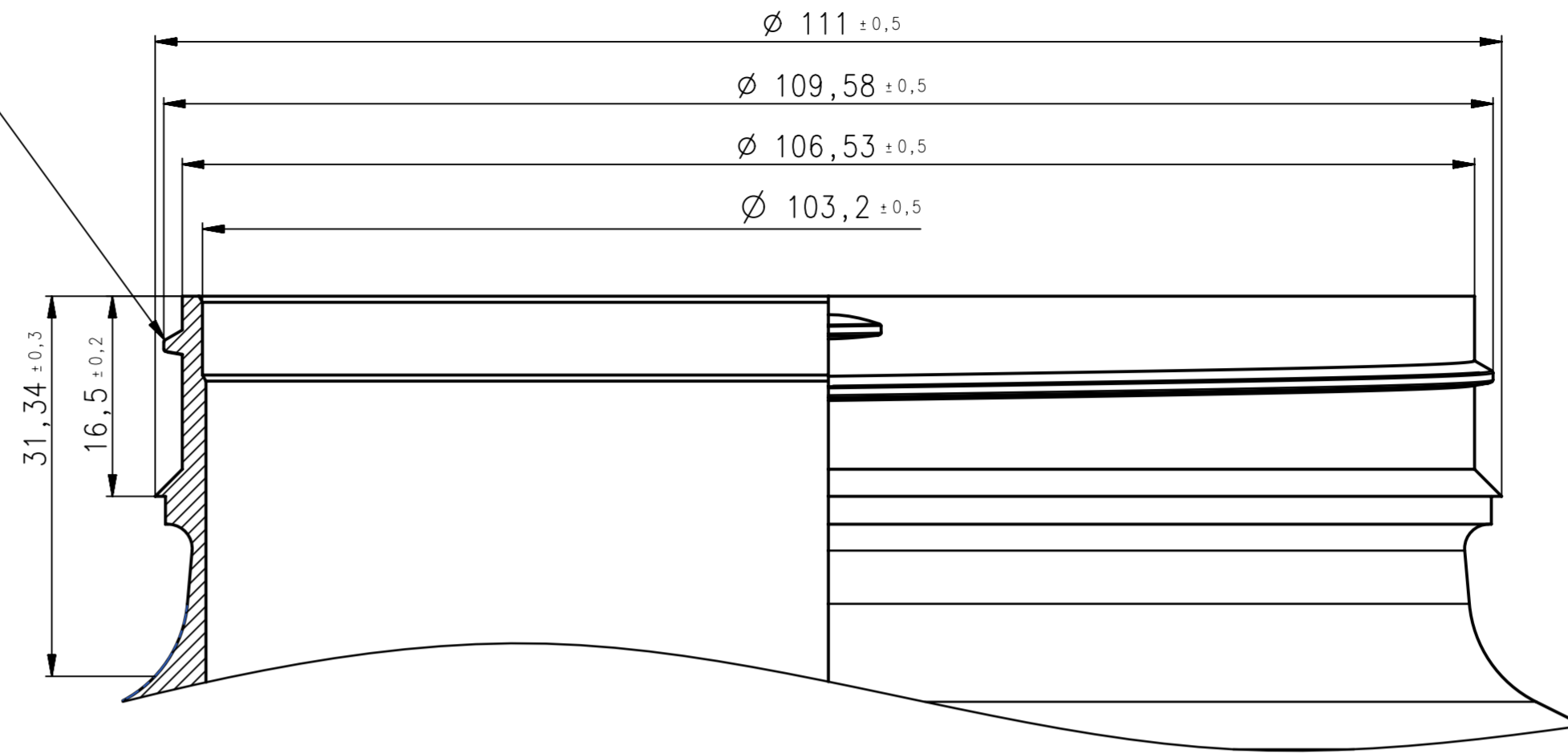


THREAD DETAIL:  
 SP 110/400  
 PITCH: 5,08mm  
 TURNS: 1  
 1 START THREAD

NECK DETAIL:  
 SCALE 2:1



Do not use this drawing for toolmaking!  
 Drawing for reference only!

MATERIAL: PET  
 WEIGHT: 170 ± 1.5g  
 VOLUME: 3000ml filling volume

Index		Modification:		Name	Date	Index		Modification:		Name	Date
Scale:		1:1		Name	Date	ALPLA reserves all rights to the technical IP contained in the document		Superseded:			
Prepared:		Traenkle Alexander		28.Jul.16		Superseded by:		Weight:		00kg	
Reviewed:		ZTH		28.Jul.16		Title:		Petpac 3000ml		Art.No.: 09-110-01-3000- Page: 1 of 1	
Drawing No.:		9612_016_003_01		Revision:		00					

