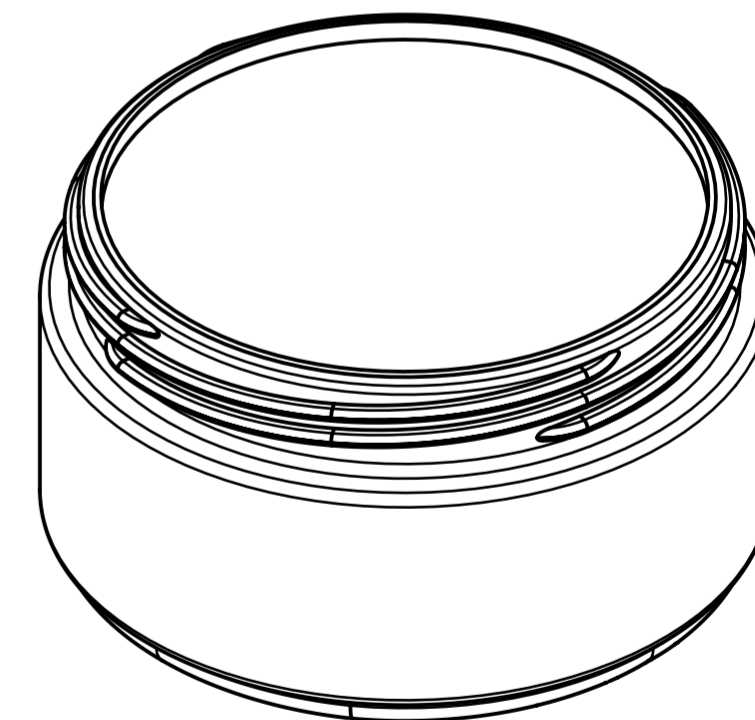
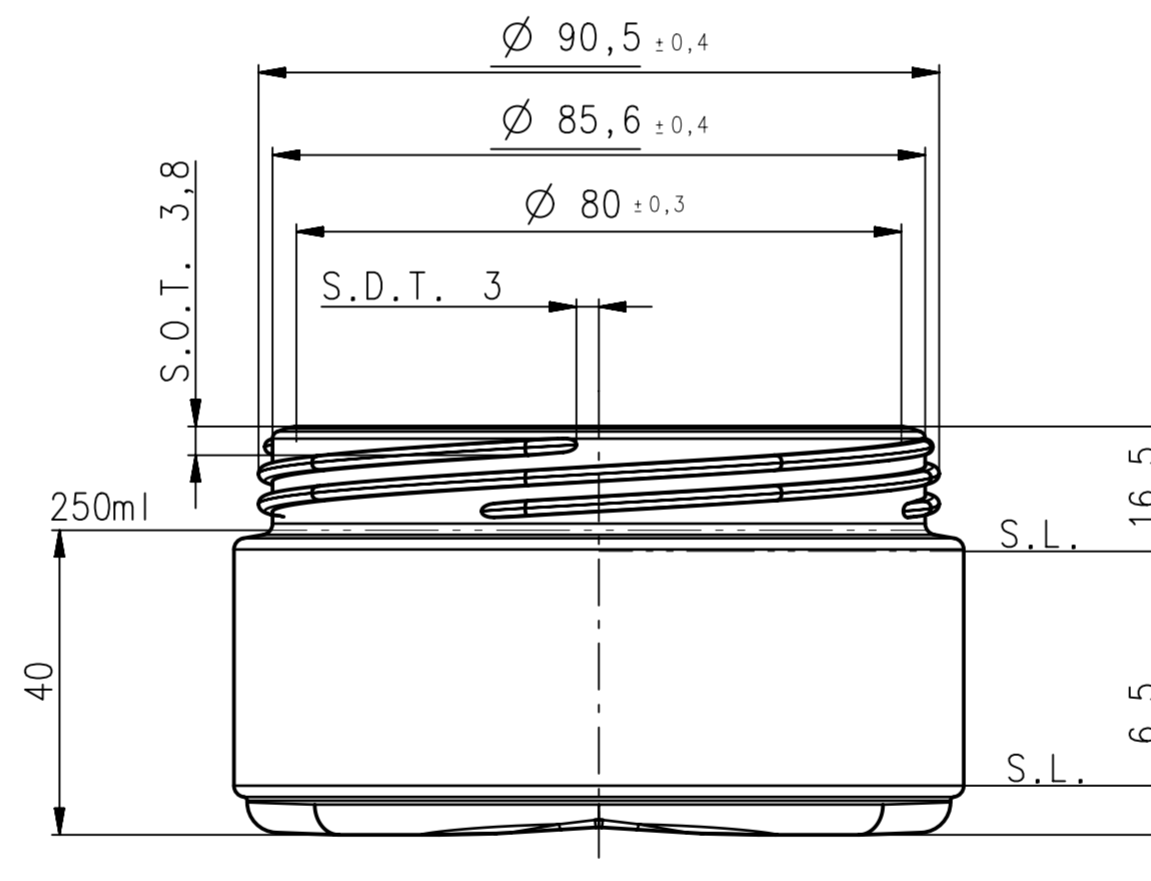
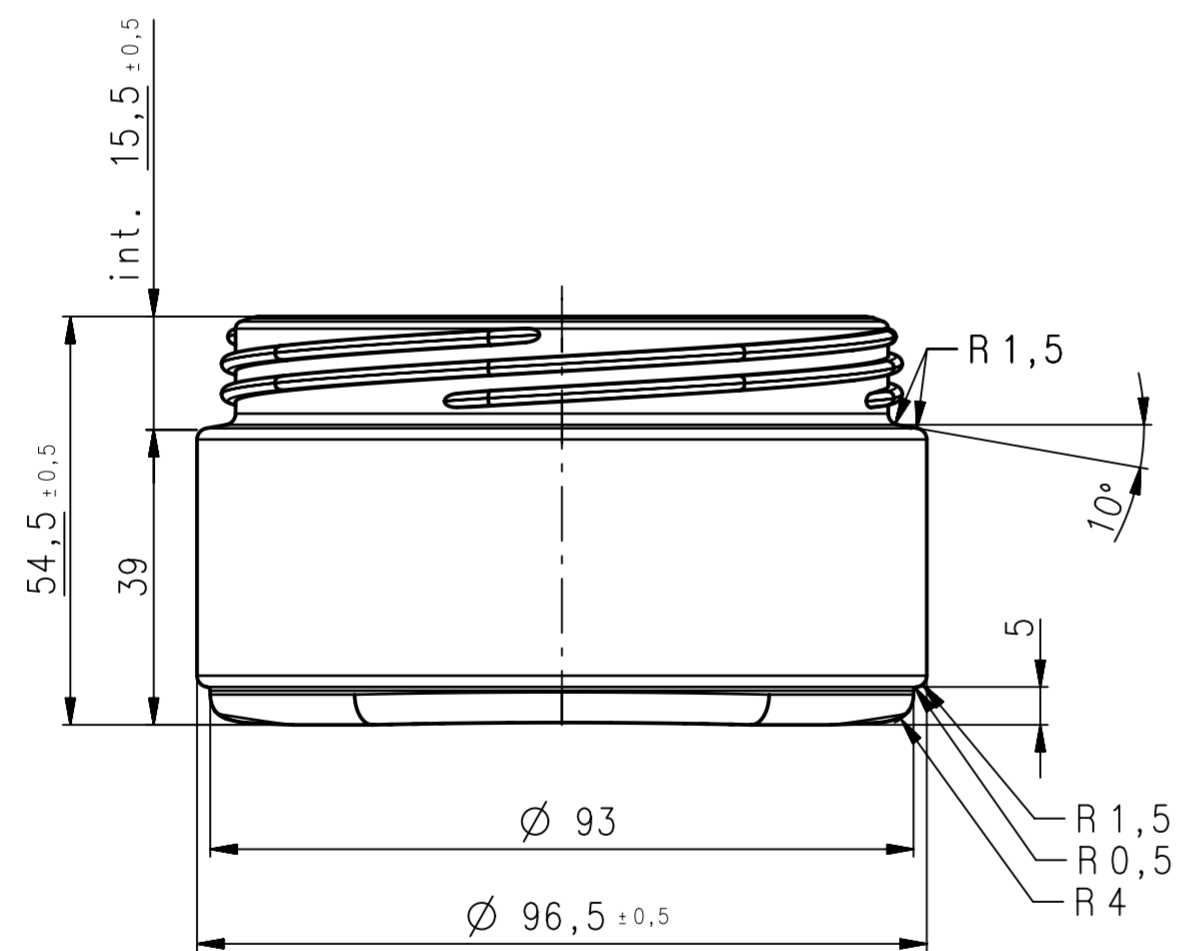
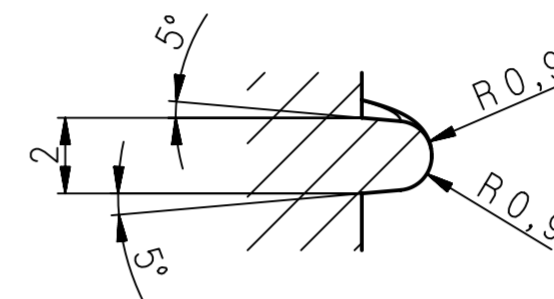


**THREAD DETAIL:**

SCALE 5:1  
 PITCH: 16mm  
 TURNS: 0.5  
 X START THREAD



MOULD NUMBER: 111 A

MATERIAL: HDPE  
 WEIGHT: 21 ± 2g  
 VOLUME: 330 ± 15ml BRIMFULL

2a	from IDEAS to NX	-	-	04a	drawing updated	NSI	21.Sep.20
1a	Ø79,5 was Ø80,3	HTH	12.01.07	1b	Ø85,6 was Ø86,3	HTH	12.01.07

General Tolerance BLOOMSBURG ARTICLE: DIN 16742/16743-W FREEMAN: DIN 16742/166-W	Scale:	Name	Date	
	1:1	Prepared: Hlavacek Th.	22.05.06	
	5:1	Reviewed: Hlavacek Th.	22.05.06	Superseded: 9010740100 R0
	ALPLA reserves all rights to the technical IP contained in the document	Superseded by:	Weight: 00kg	Art.No.: -
Title:	RW 250ml		Drawing No.:	Revision: 04
				9201_006_021_01