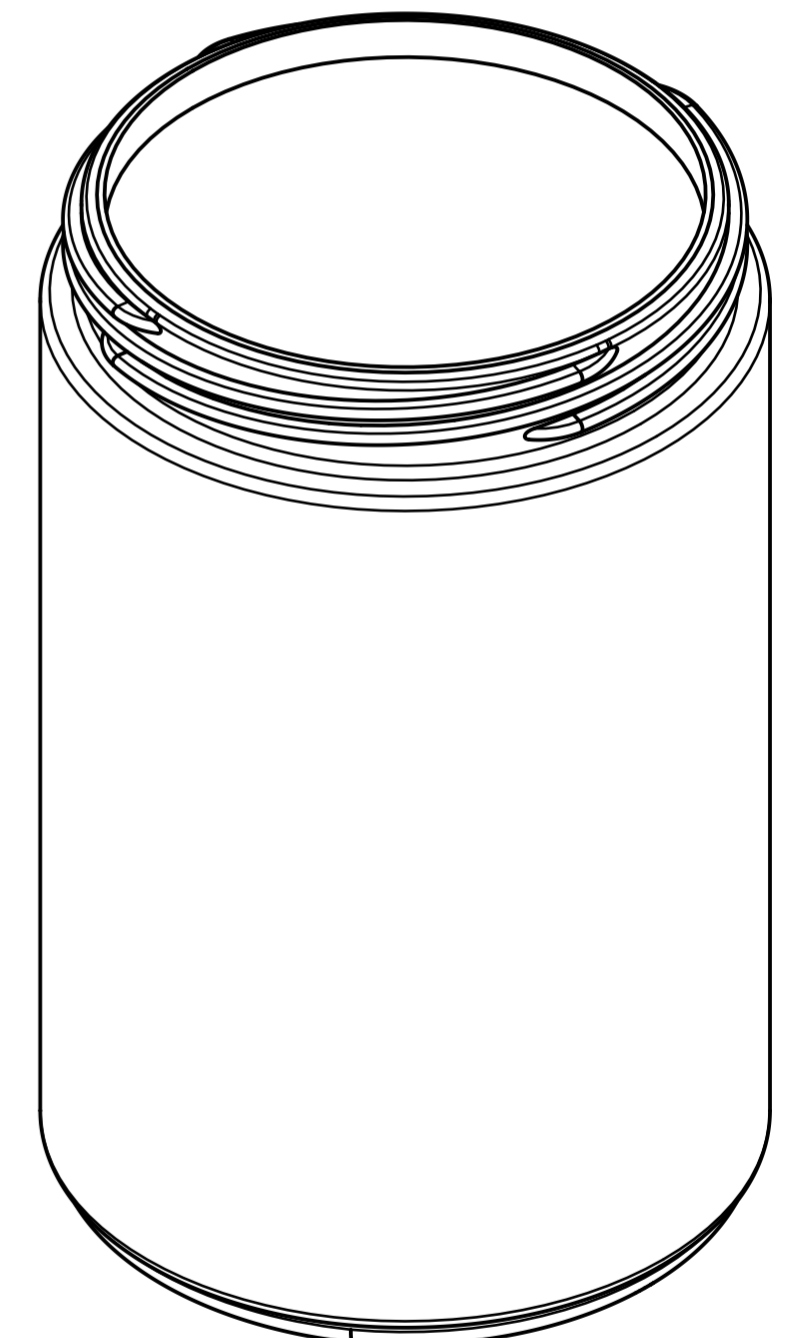
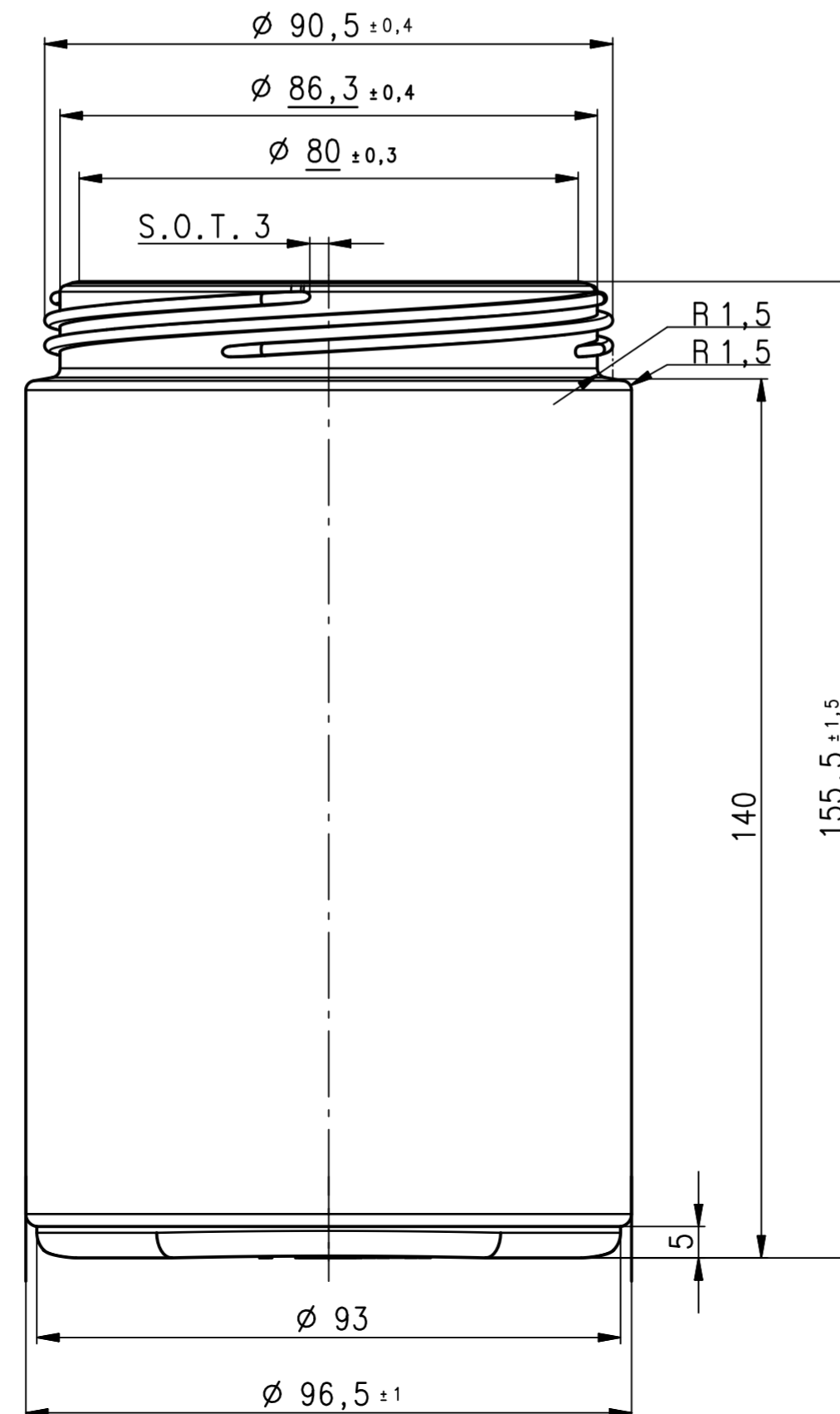
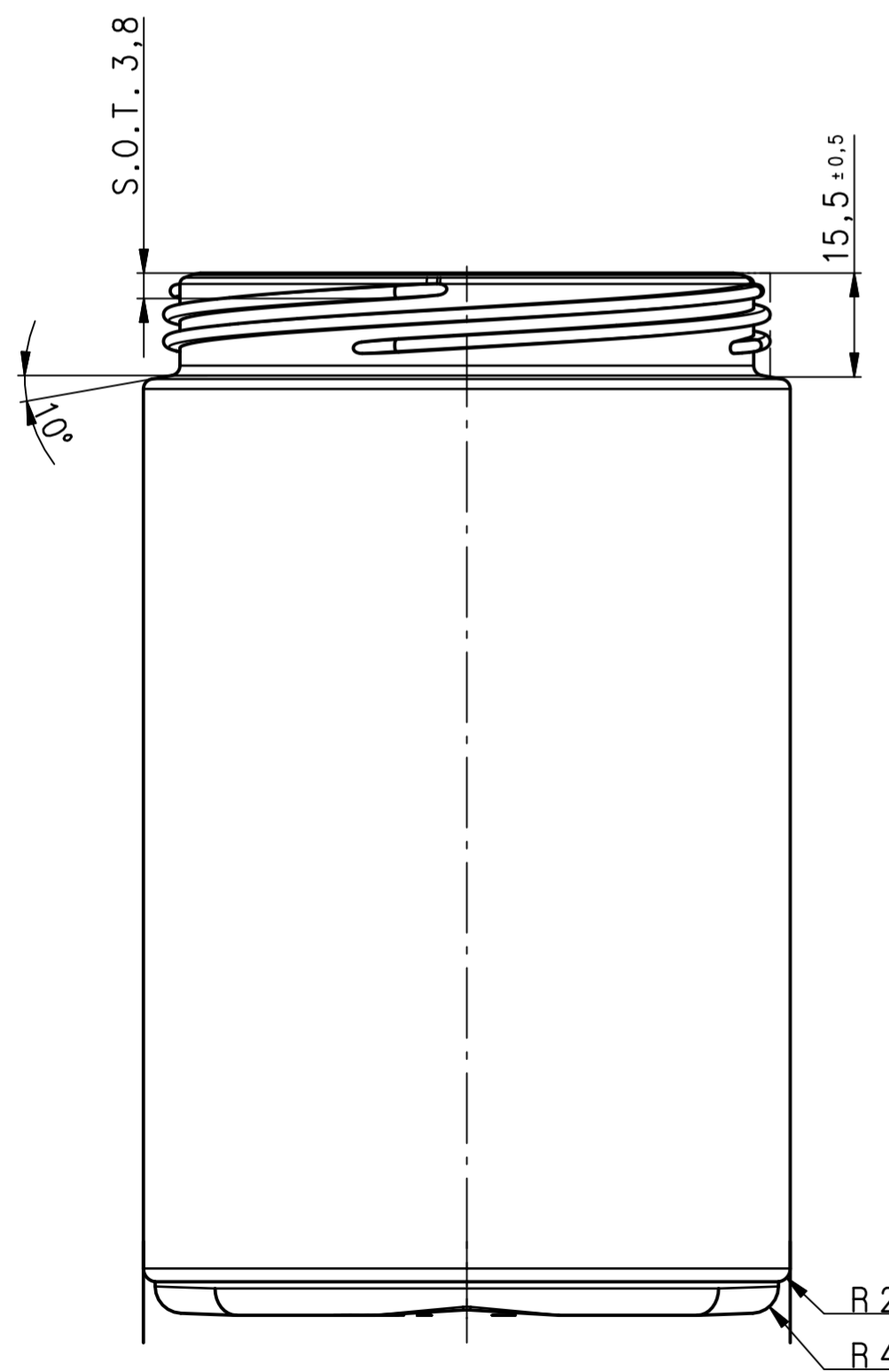
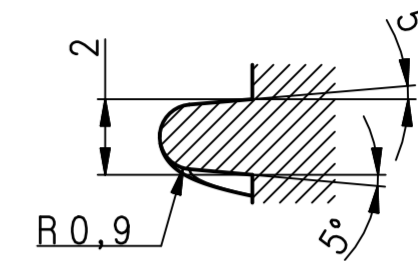


THREAD DETAIL:
 SCALE 5:1
 PITCH: 16mm
 TURNS: 0,5 full turns
 4 START THREAD



MATERIAL: HDPE
 WEIGHT: 47 ± 2g
 WEIGHT: 52 ± 2g
 VOLUME: 47g ↔ 1046 ± 20ml BRIMFULL
 VOLUME: 52g ↔ 1041 ± 20ml BRIMFULL

General Tolerance ISO 2768-s BUSHING ARTICLE: DIN 16807/16808 RECYCLING ARTICLE: DIN 16807/130A FREEFORM:	01a	weight 52g added	MC	13.May.09	02a	neck dim. changed	MC	22.Oct.09
	Index	Modification:	Name	Date	Index	Modification:	Name	Date
	Scale:	1:1	Name	Date	Prepared:	Markowitz Cedric	13.Mar.09	
	1:1	Reviewed:	Zauser Thomas	13.Mar.09	Supersedes:	-	Superseded by:	
ALPLA reserves all rights to the technical IP contained in the document	Weight:	00kg	Art.No.:	Page: 1 of 1				
Title:	RW 1000/1		Drawing No.:	Revision: 02				
				9201_009_007_02				