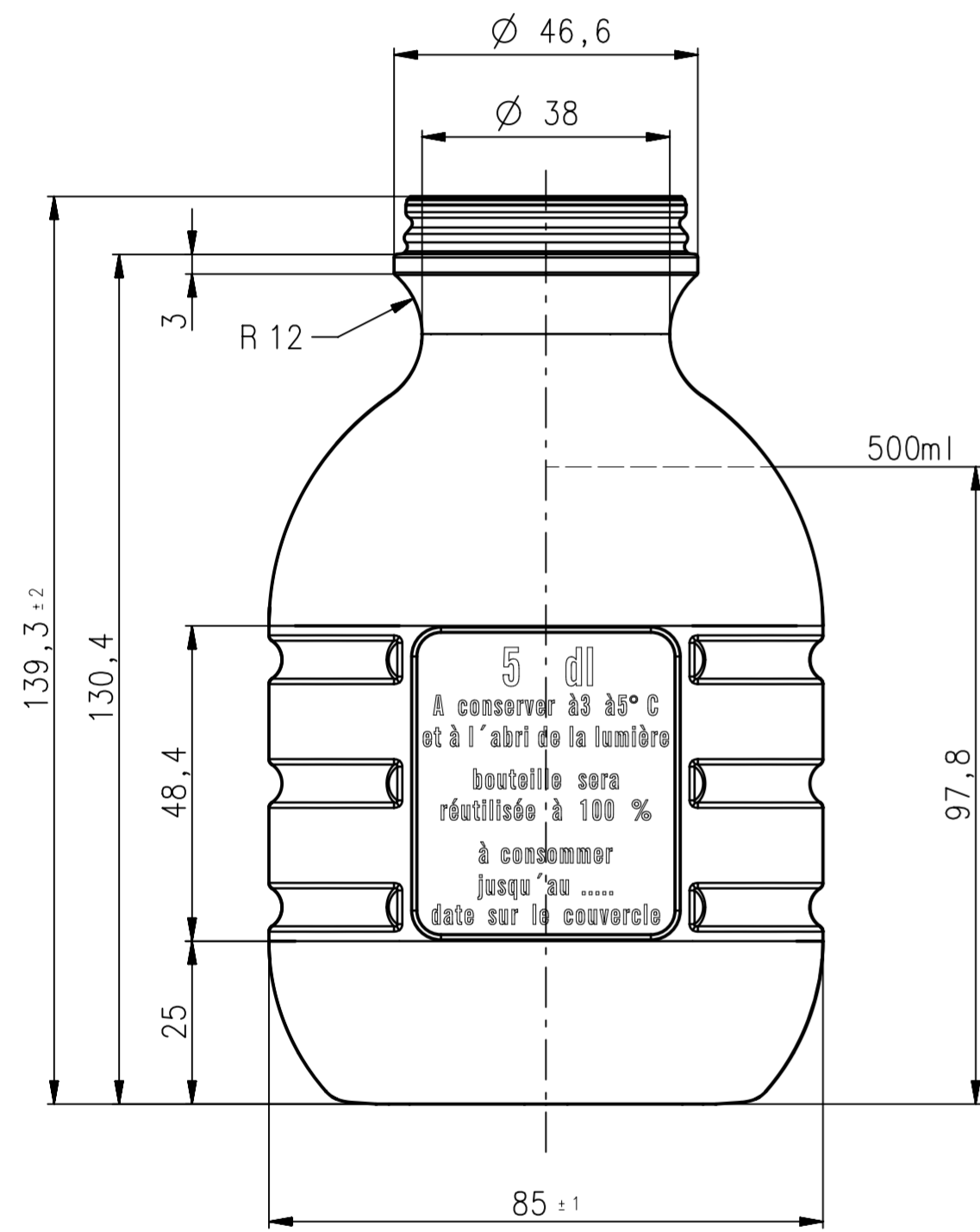
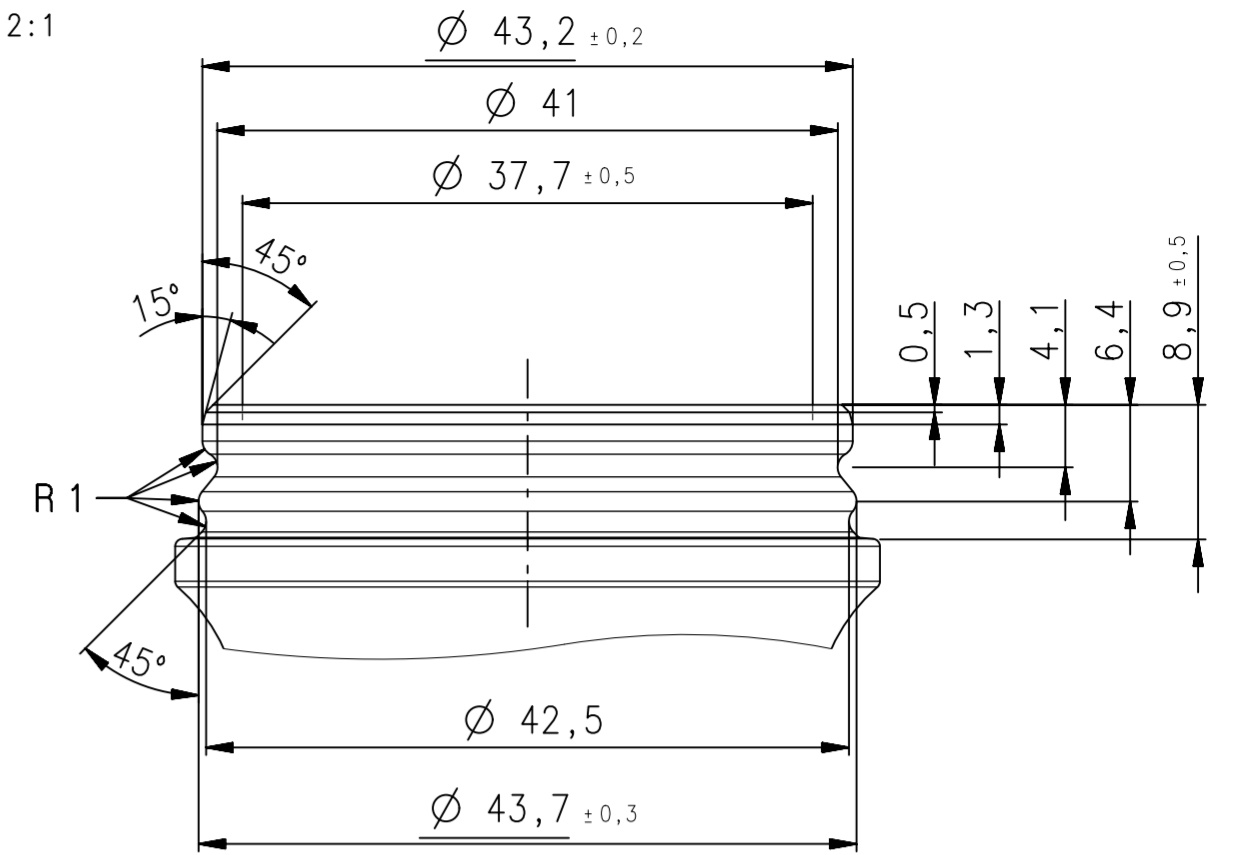
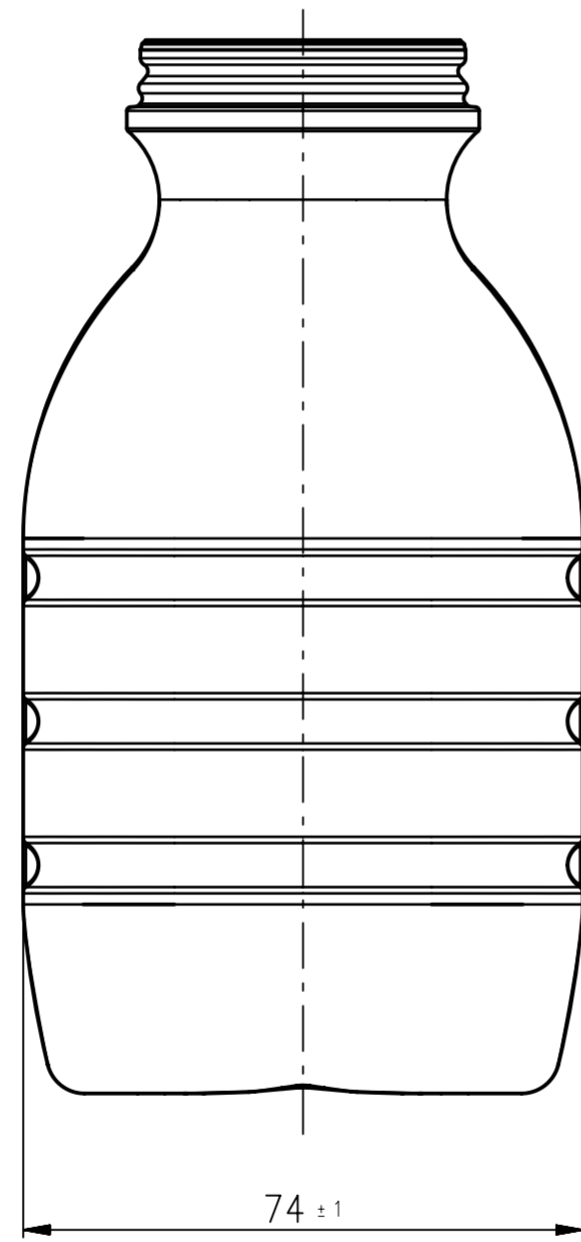


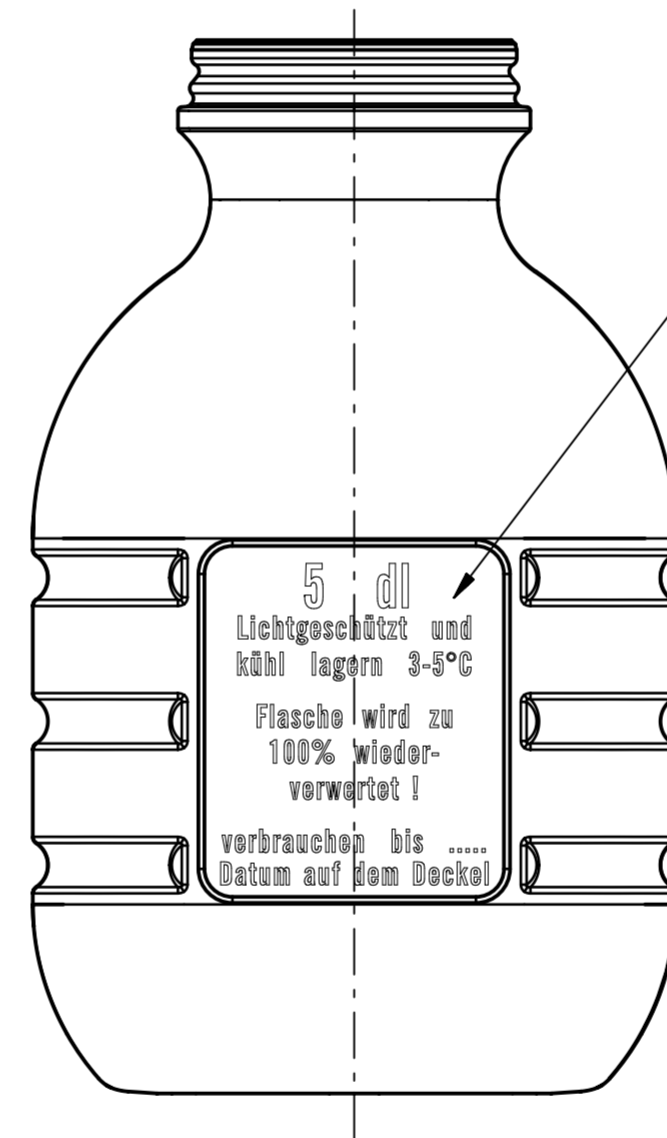
NECK DETAIL:
SCALE 2:1



BACK VIEW:



ENGRAVING 0,5mm
DEBOSSÉ



MATERIAL: HDPE
WEIGHT: 24 ± 1g
VOLUME: 570 ± 15ml BRIMFULL

02a	neck dim. adjusted	NSI	18.Nov.20	-	-	-	-
01a	new generated in NX	NSI	21.Oct.20	01b	neck updated	NSI	21.Oct.20
Index	Modification:	Name	Date	Index	Modification:	Name	Date

Scale:	Name	Date
1:1	Prepared: Planke Ch.	28.01.09
2:1	Reviewed: Planke Ch.	28.01.09

ALPLA reserves all rights to the technical IP contained in the document	Superseded:
	Superseded by:
	Weight: 0kg

ALPLA

Title: MILCH 500ml

Art.No.: 232 A Page: 1 of 1
Drawing No.: Revision: 02

9202_006_102_03

