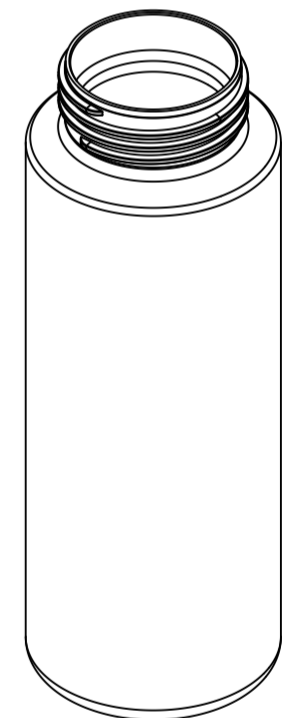
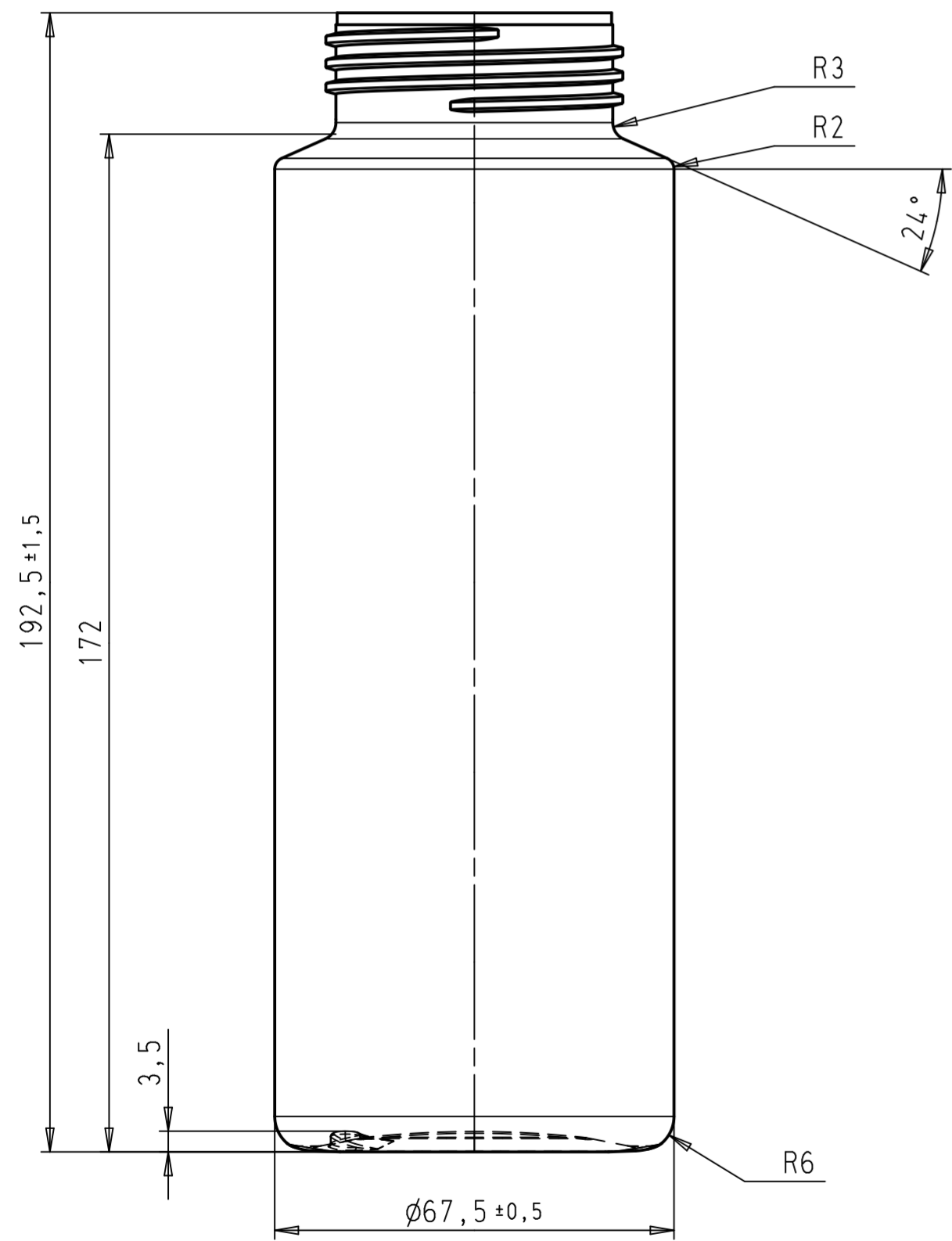
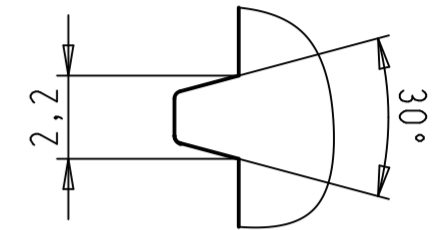


THREAD DETAIL:
SCALE 5:1
PITCH: 4mm
TURNS: 3 full turns



MOULD NUMBER: 274 A

MATERIAL: LDPE

WEIGHT: 50 ± 3g

2a VOLUME: 595 ± 10ml BRIMFULL

General Tolerance BLOWMOLDING ARTICLE: DIN ISO 2768-c INJECTION ARTICLE: DIN ISO 2768-m PREFORM: DIN 16801/1300	3a	was $\phi 46,4$	HPH	09.03.17					
	1	engraving changed	HTH	28.08.06	2a	B.F.C was 590 ± 5ml	HPH	13.02.17	
	Index	Modification:	Name	Date	Index	Modification:	Name	Date	
	Scale:	Name		Date		 QUALITÄTSPERPACKUNGEN			
	1:1	Prepared:	Hlavacek Th.	22.05.06					
	Reviewed:	Hlavacek Th.	22.05.06						
ALPLA reserves all rights to the technical IP contained in the document		Supersedes:		9010080100 R2		Art.No.: -		Page: 1 of 1	
		Superseded by:		-		Drawing No.:		Revision: 3	
		Weight:		- kg		Title:		9201_006_023_01	
						KALKENTFERNER 500ml			