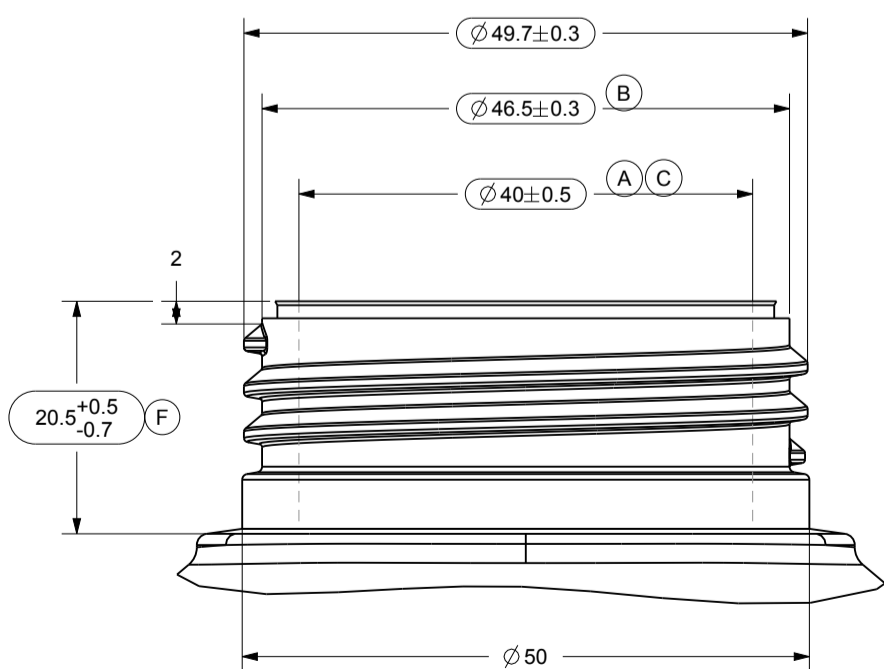


SCALE 1:2



DETAIL A  
SCALE 3:2  
PITCH : 4mm

DRAWING No : BTL_0275_N		<b>A3</b>				
		F	modify total & neck height value & tol.	05/02/14	N.G.	
		E	change measured dimensions	31/05/11	N.G.	
		D	change side B dim value & measured dim.	31/05/11	N.G.	
DRAWN	22/07/09	N.G.	C	change internal neck diameter	27/04/10	N.G.
CHECKED	05/02/14	S.T.	B	change tolerance	23/02/10	N.G.
		A	change tolerance	23/02/10	N.G.	
		INDEX	MODIFICATION	DATE	NAME	
				REV	SHEET	
			SUPERSEDES : 31/05/11		1	
			REPLACED BY : S.T.		1	

 **ARGO**  
We reserve all rights in this document and in the information contained there in