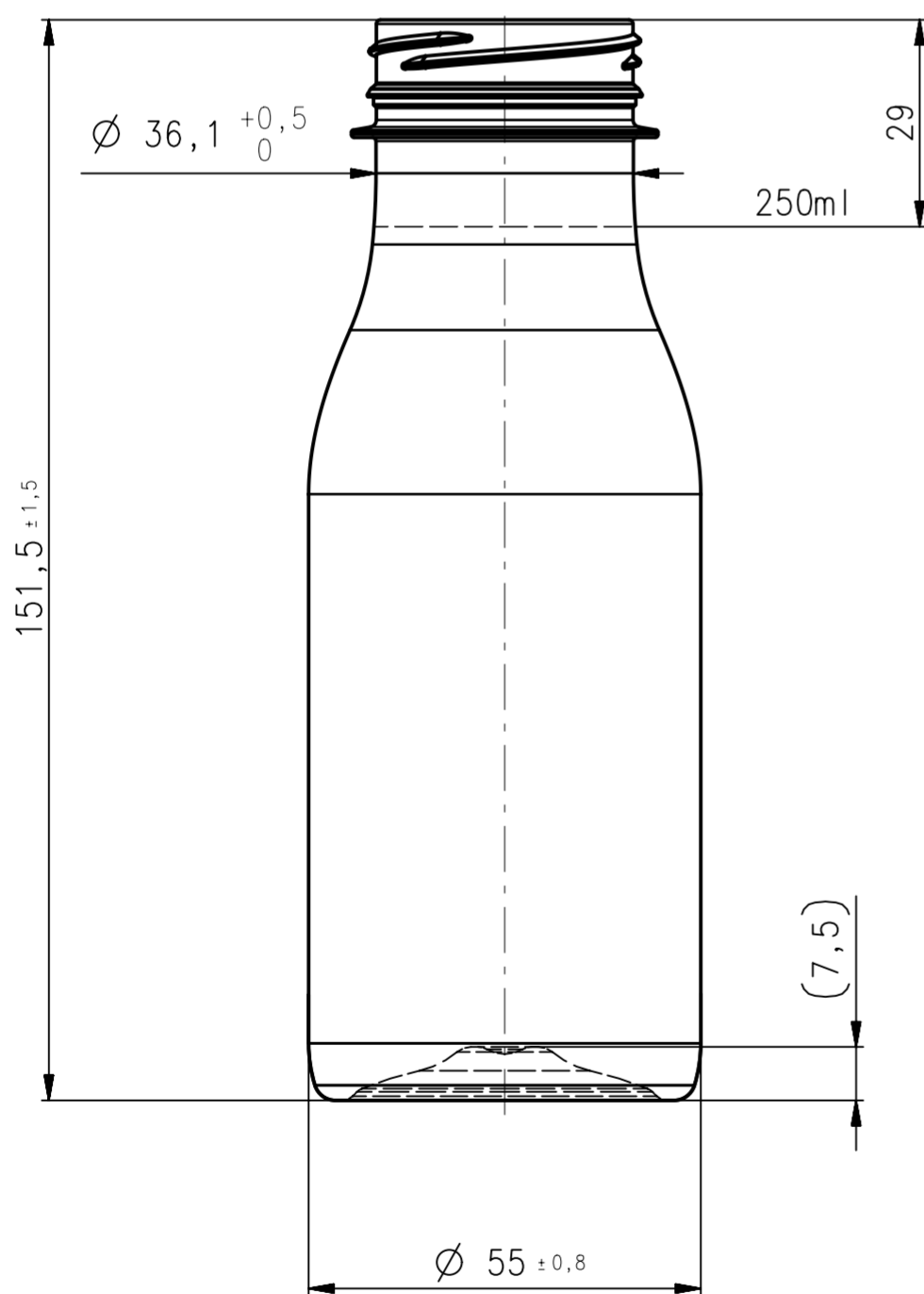
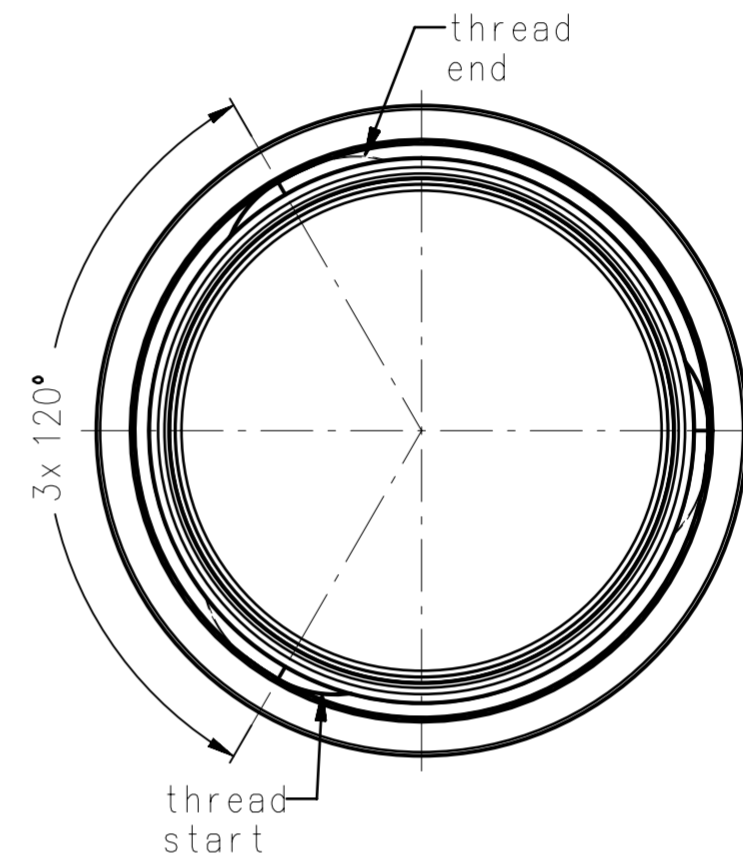
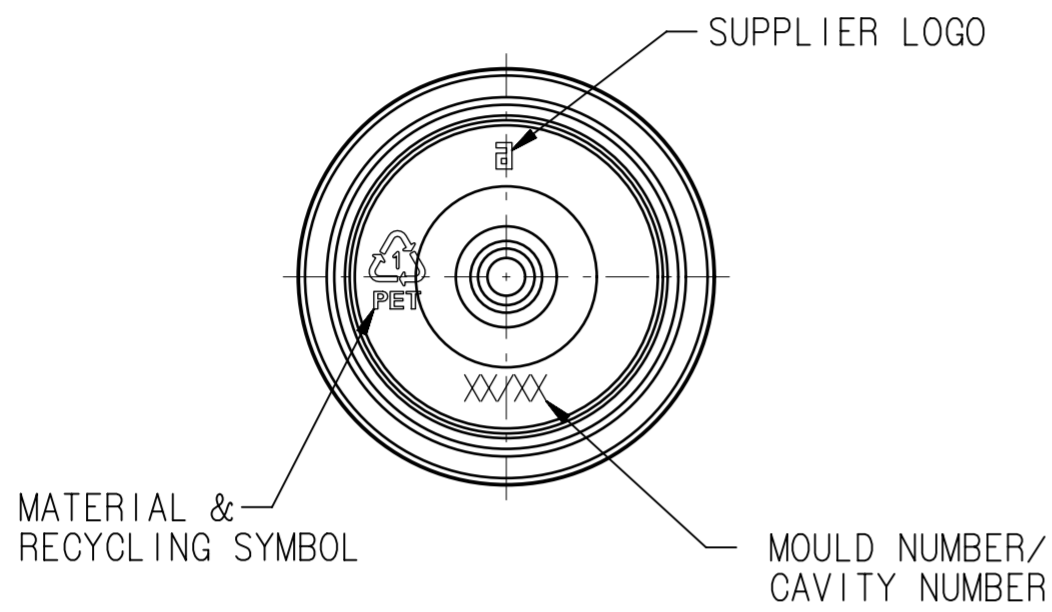
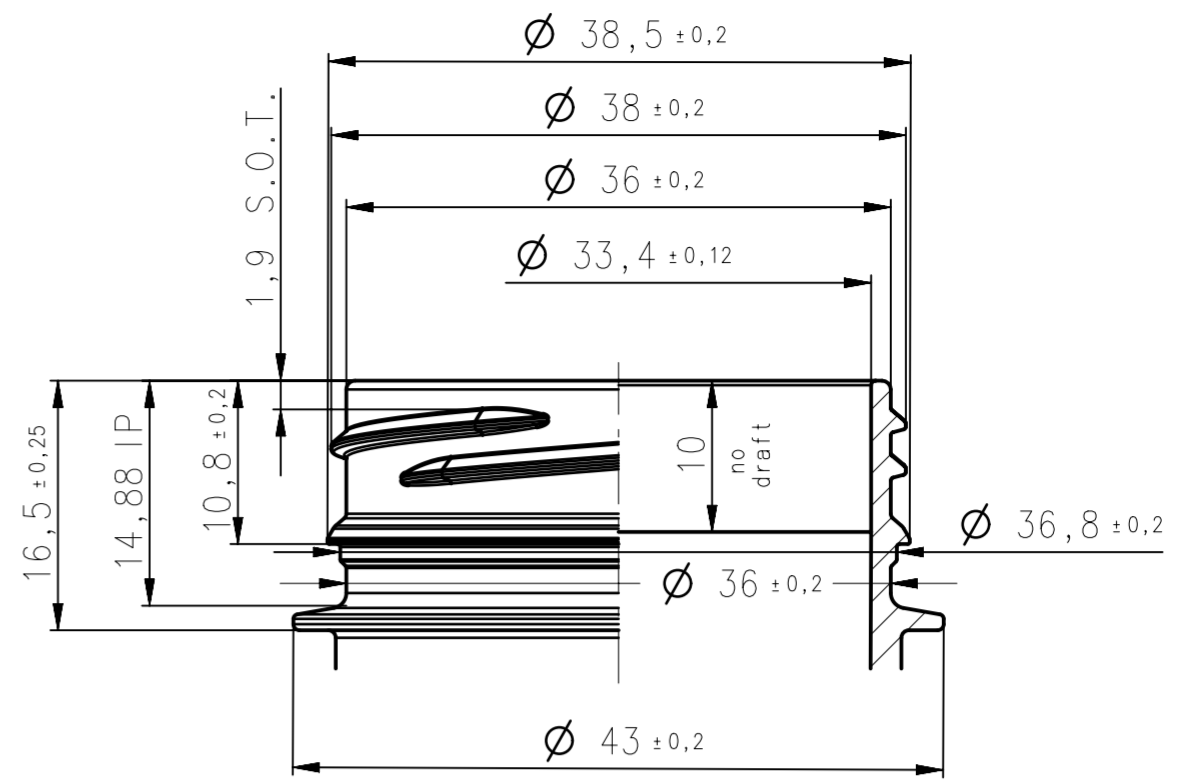


NECK DETAIL:
SCALE 2:1

Pitch = 9mm
Turns = 0.356 (128°) without
start and end
of thread
Starts= 3



MATERIAL: PET
WEIGHT: 20 ± 1g
VOLUME: 275 ± 10ml BRIMFULL

STRETCHED LENGTH: 163.86mm
AVERAGE CIRCUMFERENCE: 172.79mm
BASE CIRCUMFERENCE: 149.21mm

Index		Modification:		Name	Date	Index		Modification:		Name	Date
Scale:		1:1		Name	Date	ALPLA reserves all rights to the technical IP contained in the document		Superseded:			
2:1				Prepared: Mudassar Ahmed	13.Jan.21	Superseded by:		Weight: kg		Art.No.:	
				Reviewed: KJ	13.Jan.21					Page: 1 of 1	
Title:		Milk bottle 250ml PET				Drawing No.:		9401_021_002_01		Revision: 00	

ALPLA