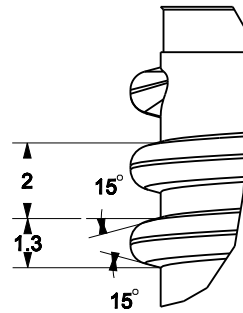
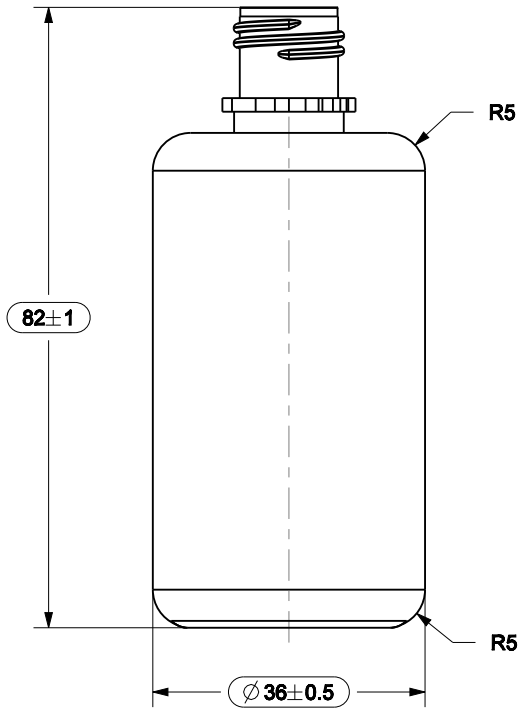
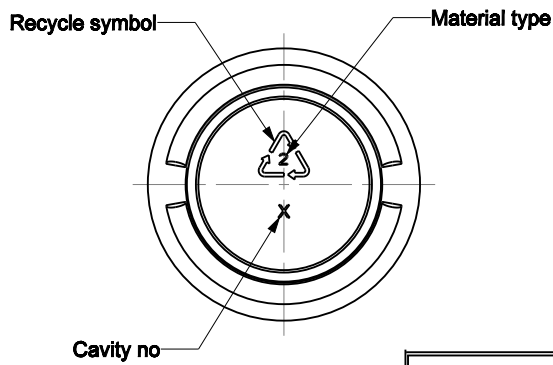



SCALE 2:1



SCALE 5:1



SCALE 1:1

DRAWING No :		<b>A4</b>					
BTL_0398_N							
SCALE :		1:1 / 2:1 / 5:1					
	DATE	NAME					
DRAWN	13/07/12	N.G					
CHECKED	15/11/12	S.T.					
 <b>ARGO</b>	A	modify internal neck diameter&tol.	15/11/12	N.G.			
	INDEX	MODIFICATION	DATE	NAME			
We reserve all rights in this document and in the information contained there in		SUPERSEDES : 13/07/12		REV	SHEET		
		REPLACED BY : S.T.			1		