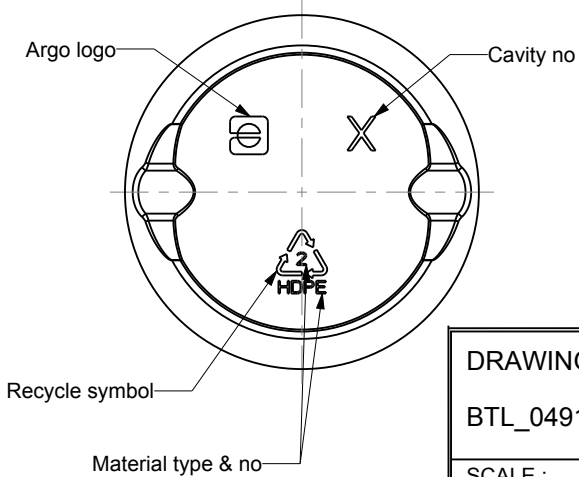



SCALE 5:1
PITCH : 3.175mm



SCALE 1:1

DRAWING No :		A4					
BTL_0491_0							
SCALE :		1:1 / 5:1					
	DATE	NAME					
DRAWN	13/01/14	N.G					
CHECKED	13/01/14	J.A.					
 ARGO		A	new mold	13/01/14	N.G.		
		INDEX	MODIFICATION	DATE	NAME		
We reserve all rights in this document and in the information contained there in		SUPERSEDES :		REV	SHEET		
		REPLACED BY :		0	1		