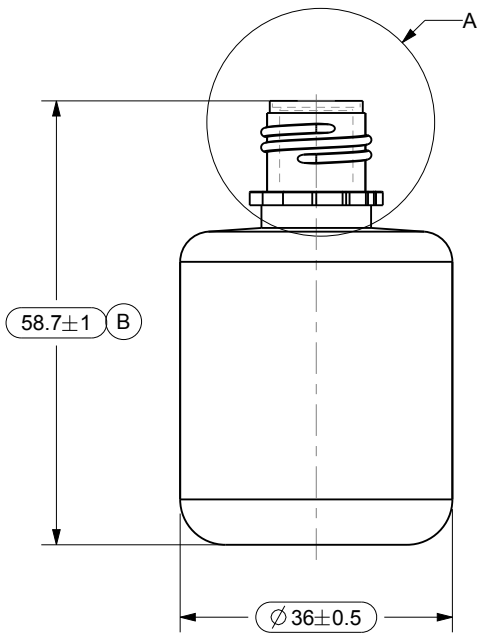
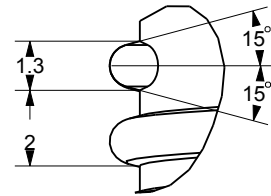



A(2:1)



SCALE 1:1



SCALE 5:1

DRAWING No :		A4				
BTL_0403_N						
SCALE :		1:1 / 2:1 / 5:1				
	DATE	NAME				
DRAWN	09/10/12	N.G				
CHECKED	12/03/14	S.T.		B	new mold	12/03/14 N.G.
 ARGO	INDEX		A	modify internal neck diameter & tol.	09/11/12	N.G.
			MODIFICATION		DATE	NAME
We reserve all rights in this document and in the information contained there in		SUPERSEDES : 09/11/12		REV	SHEET	
		REPLACED BY : S.T.		2	1	1