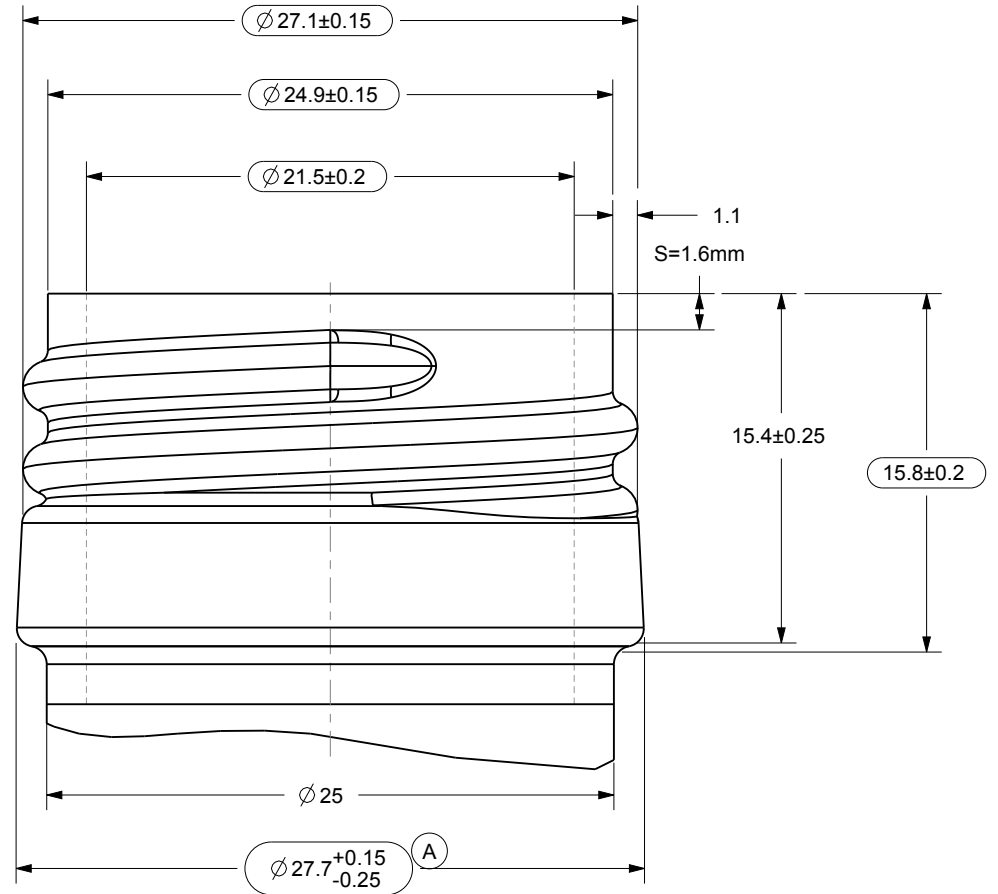



SCALE 2:1



NECK DETAIL
PITCH : 3.63mm
SCALE 3:1

DRAWING No :		A4					
BTL_0197_N							
SCALE :		2:1 / 3:1					
	DATE	NAME					
DRAWN	06/03/07	N.G.					
CHECKED	01/04/08	S.T.					
 ARGO	A	Change tolerance.Previous tol 27.7±0.15	01/04/08	N.G.			
	INDEX	MODIFICATION	DATE	NAME			
We reserve all rights in this document and in the information contained there in		SURSEDES : 06/03/07		REV	SHEET		
		REPLACED BY : S.T.		1	1		