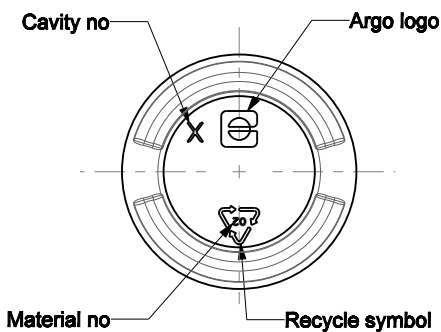
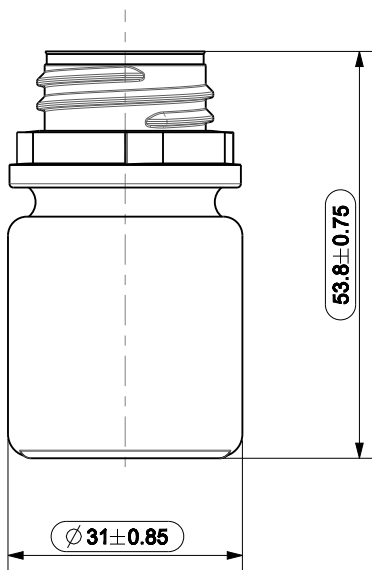



SECTION X-X
SCALE 4:1
PITCH 8 T.P.I (3.175mm)



SCALE 1:1

DRAWING No :		A4					
BTL_0414_N							
SCALE :		1:1 / 4:1					
	DATE	NAME					
DRAWN	13/11/12	N.G.					
CHECKED	13/11/12	S.T.					
 ARGO		INDEX	MODIFICATION	DATE	NAME		
					REV	SHEET	1
We reserve all rights in this document and in the information contained there in		SUPERSEDES :				1	
		REPLACED BY :				1	