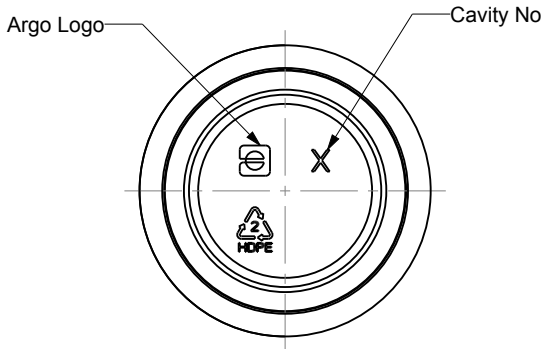



SCALE 3:1



SCALE 1:1

DRAWING No :		A4					
BTL_0281_N							
SCALE :		1:1 / 3:1					
	DATE	NAME					
DRAWN	22/07/09	N.G					
CHECKED	03/03/16	S.T.		B	change filling level height	03/03/16	N.G.
				A	new neck	03/01/12	N.G.
				INDEX	MODIFICATION	DATE	NAME
						REV	SHEET
 ARGO We reserve all rights in this document and in the information contained there in				SUPERSEDES : 03/01/12			1
				REPLACED BY : S.T.			1