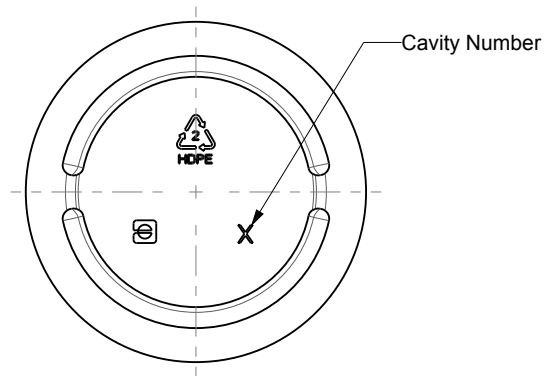
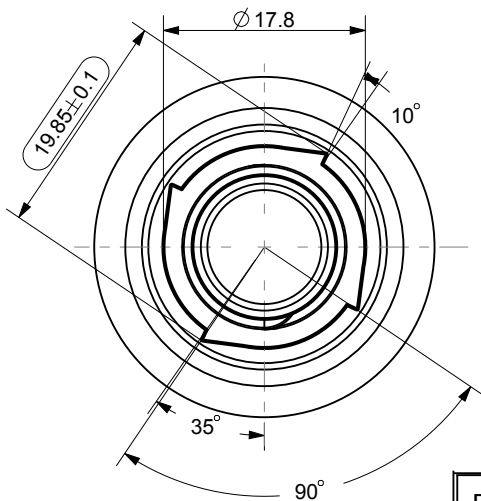



SECTION X2-X2  
SCALE 3:1



DRAWING No :		<b>A4</b>				
BTL_0129_T						
SCALE :		1.5 : 1 / 5 : 1		E	new mold	10/09/15
	DATE	NAME	D	Change inside neck diameter and tolerance	31/05/13	N.G.
DRAWN	03/03/03	M.D.	C	Change inside neck diameter and tolerance	29/03/13	N.G.
CHECKED	10/09/15	S.T.	B	Change inside neck diameter and tolerance	15/02/12	N.G.
			A	Change inside neck diameter and tolerance	11/05/09	N.G.
 <b>ARGO</b>		INDEX	MODIFICATION		DATE	NAME
		We reserve all rights in this document and in the information contained there in		SUPERSEDES : 31/05/13		REV
		REPLACED BY : S.T.		4	1	1