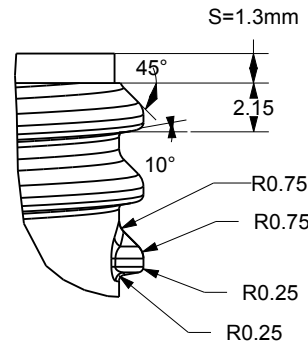
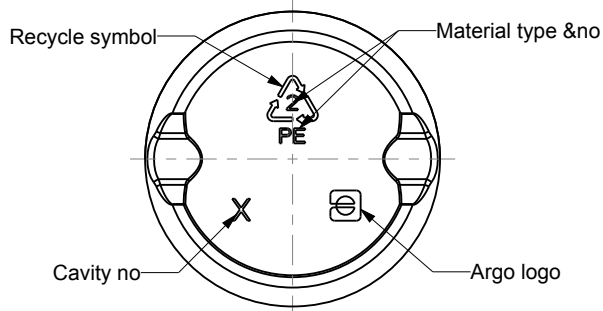



ZELLER NECK 24/415  
 DETAIL A  
 SCALE 2:1



SCALE 3:1  
 PITCH : 3.175mm



SCALE 1:1

DRAWING No :		A4			
BTL_0307_N				change overall height	01/09/10 N.G.
				modify thread start& internal radius	01/09/10 N.G.
SCALE :		1:1 / 2:1 / 3:1		step removal	24/08/11 N.G.
	DATE	NAME		change neck heights	24/08/10 N.G.
DRAWN	09/03/10	N.G		change material	24/08/10 N.G.
CHECKED	04/10/10	J.A.		C change inside neck diameter	16/07/10 N.G.
 <b>ARGO</b>		B	change diameter&add tolerance	31/05/10	N.G.
		INDEX	MODIFICATION	DATE	NAME
We reserve all rights in this document and in the information contained there in		SUPERSEDES : 24/08/10		REV	SHEET
		REPLACED BY : J.A.			1