

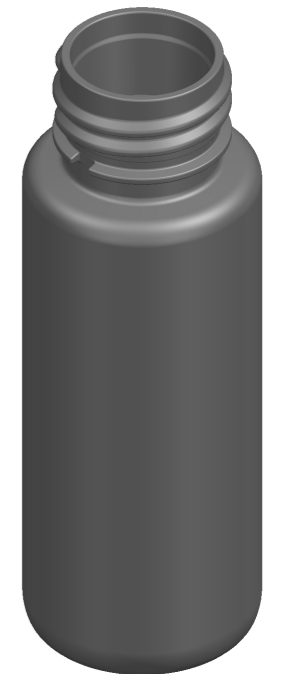
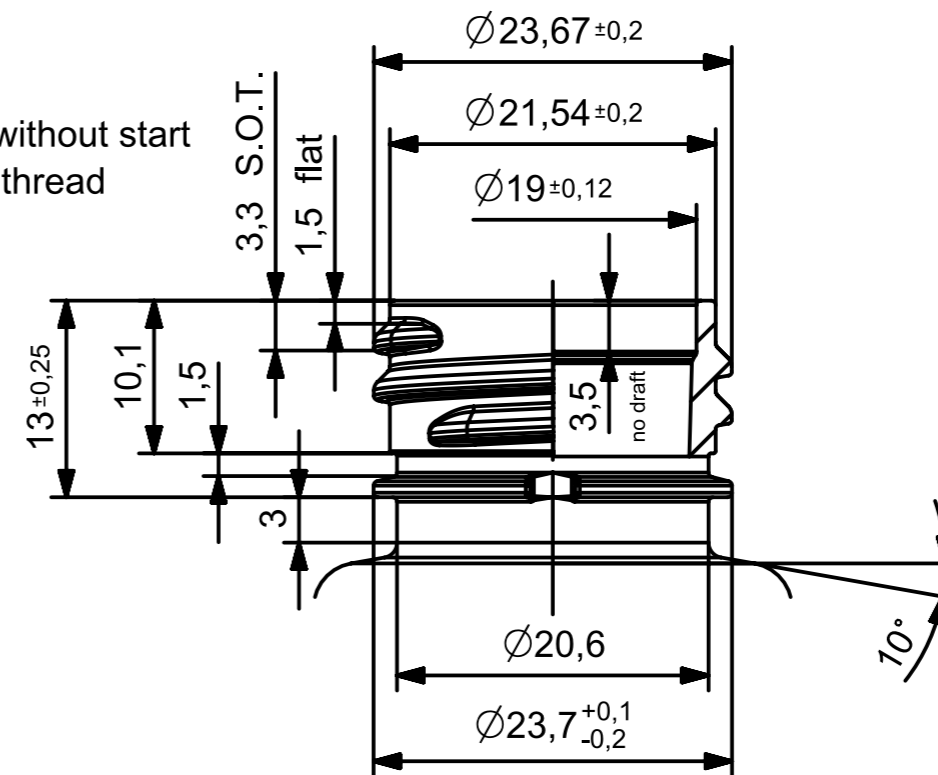
Neck Detail:

Scale: 2:1

Pitch: 3,175mm

Turns: 1,9 (684°) without start and end of thread

Starts: 1



Material: PET


Weight: 11g ± 0,2g

Volume: 50ml fill level

55ml ± 2ml brimful

Surface area: 9375mm²

Mould no.:

Index		Modification		Name	Date	Index		Modification		Name	Date
Scale:				Name	Date						
1:1				Prepared: iwan	22.02.2021						
2:1				Reviewed: oekmen	22.02.2021						
ALPLA reserves all rights to the technical IP contained in the document				Superseded:		Art.No.:		Page: 1 of 1			
				Superseded by:		Drawing No.:		Revision: 00			
				Weight:		A001_1_9401_721_08726_Z01					
Title:				50ml PET Flasche article drawing							

General Tolerance
BLOWMOLDING ARTICLE: DIN ISO 2768-c
INJECTION ARTICLE: DIN 16901/150B
PREFORM: DIN 16901/130A