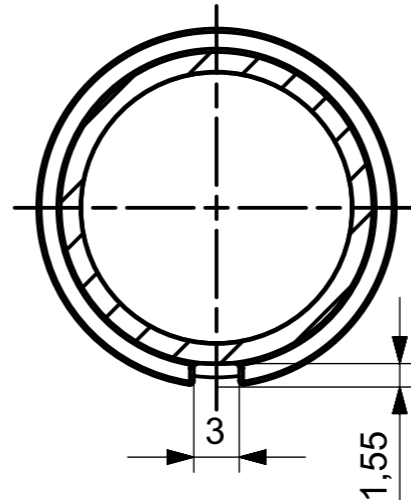


Section A-A



**Neck Detail:**  
 Scale: 2:1  
 Pitch: 3,175mm  
 Turns: 1,9 (684°) without start and end of thread  
 Starts: 1 start of thread

Material: PET  
 Weight: 11g ± 0,2g  
 Volume: 100ml fill level  
 110ml ± 5ml brimful  
 Surface area: 14581mm<sup>2</sup>  
 Mould No.: 8242



General Tolerance BLOWMOLDING ARTICLE: DIN ISO 2768-c INJECTION ARTICLE: DIN 16901/150B PREFORM: DIN 16901/130A	1a	Mould No. added	AO	12.04.21	2a	Mould No. changed	AO	13.04.21	
	Index	Modification	Name	Date	Index	Modification	Name	Date	
	Scale:		Name		Date				
	1:1		Prepared: Oekmen		23.03.2021				
2:1		Reviewed: Iwan		23.03.2021		Art.No.:			
ALPLA reserves all rights to the technical IP contained in the document		Superseded:		Superseded by:		Page: 1 of 1			
Weight:		Title:		Drawing No.:		Revision: 02			
Cylindrical 100ml PET article drawing		A002_1_9401_721_08736_Rev2_Z01							