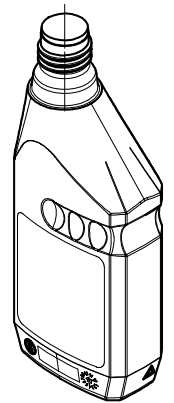
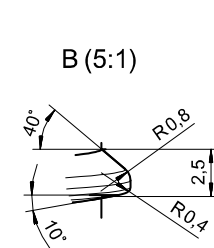
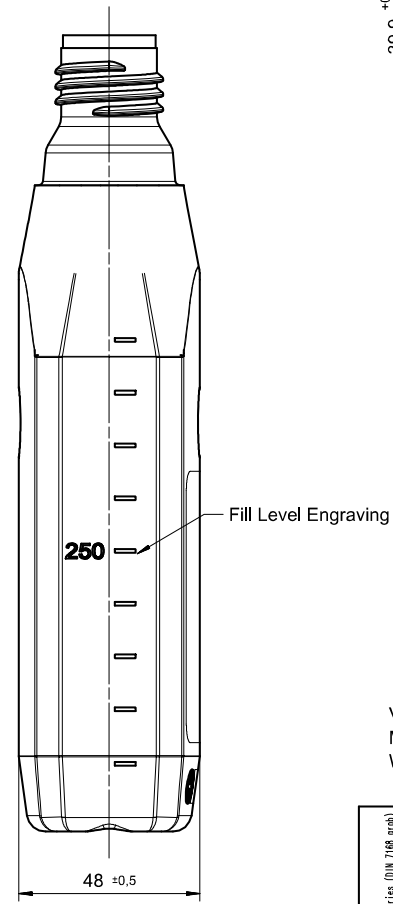
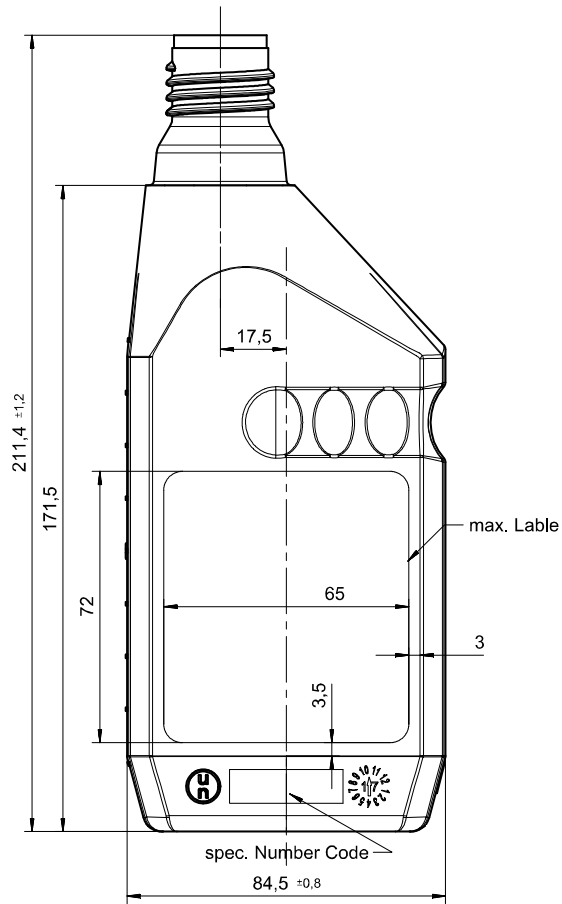
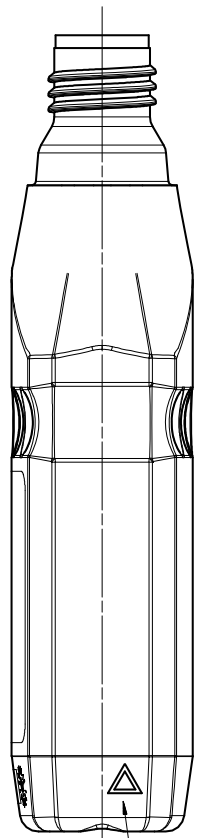
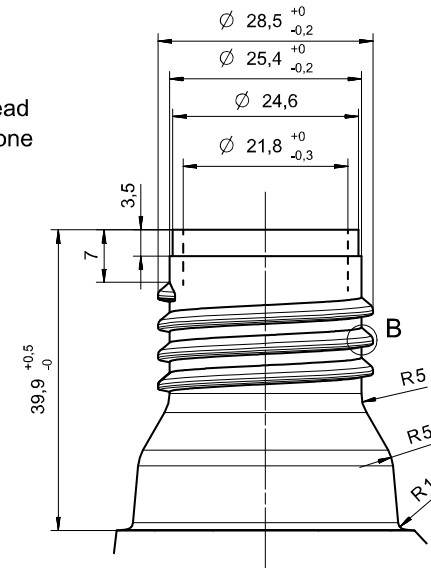



Neck Detail
 Scale 2:1
 Pitch: 4mm
 Three turns of Thread
 3mm Calibration Zone



VOLUME: 550ml±10ml
 MATERIAL: HDPE
 WEIGHT: 32g±1,5g

General Tolerances Blowing article: ISO/TC 31, DIS 2708 coarse series (DIN 7708 grob) Injection article: ISO/TC 31, DIS 2708 fine series (DIN 7708 fein)	Index	Modification	Name	Date	Index	Modification	Name	Date
	Scale:	Name		Date		 Qualitätsverpackungen		
	1:1	Prepared:	Wergen	22.02.17				
		Reviewed:	Wergen	22.02.17				
We reserve all rights in this document and in the information contained therein.	Supersedes:					Art.No:	Page:	of
Drawn:	Weight:					Revision:		
A001_1_9202_717_08129_Z01						Nigrin 500ml		