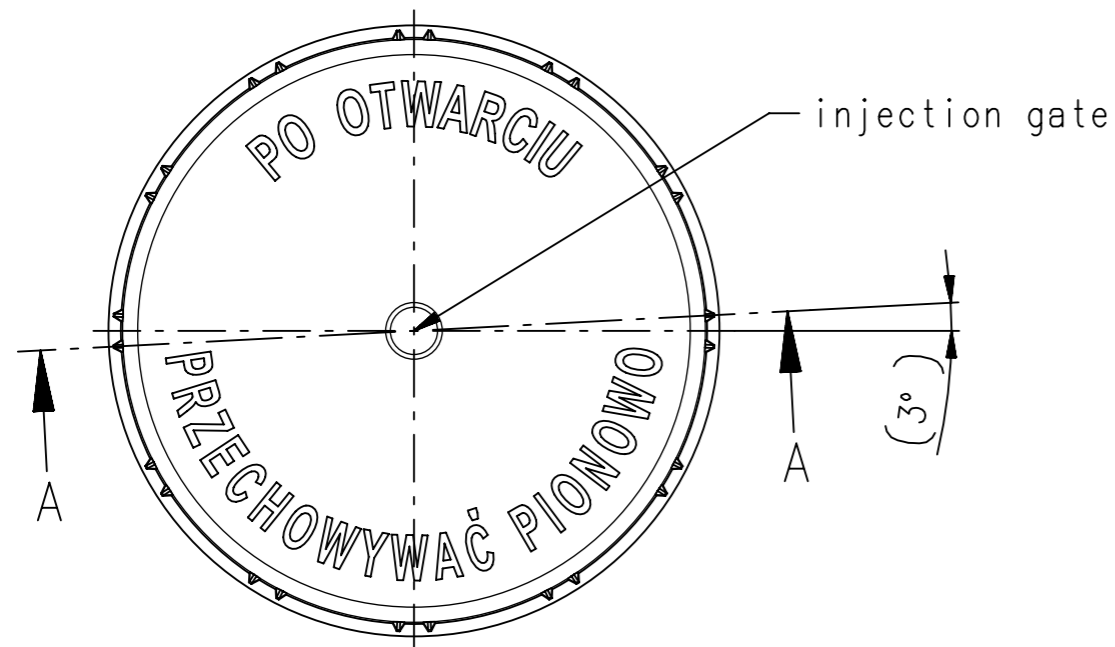
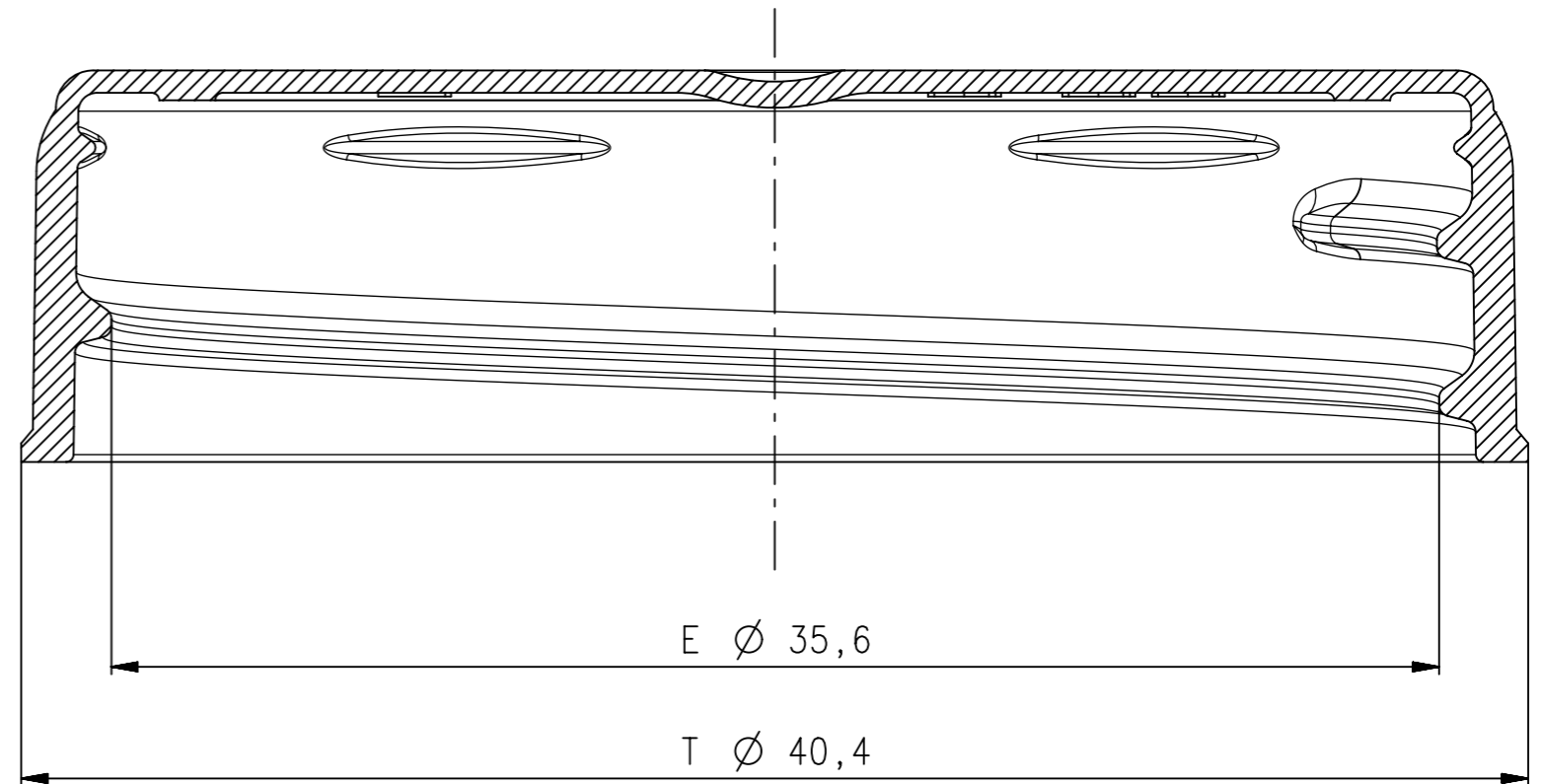
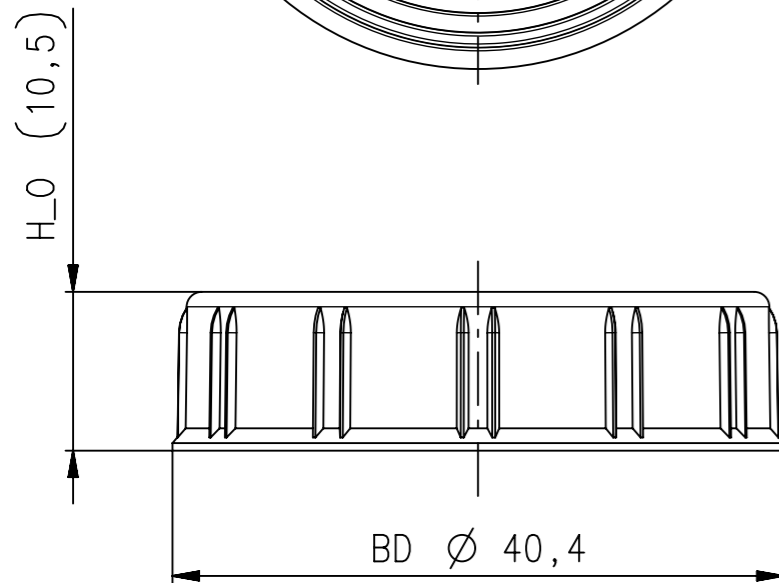
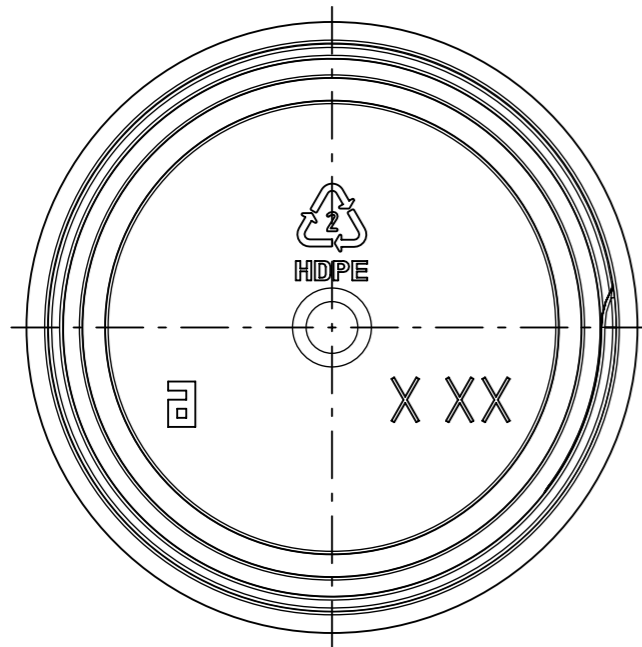


SECTION A-A
 SCALE 5:1
 view turned by 3°



Info: system with liner

THREAD DETAIL:

PITCH: 4,23mm
 TURNS: 1,1
 1 START THREAD



Index	Modification:	Name	Date	Index	Modification:	Name	Date
-	-	-	-	-	-	-	-
Scale: 2:1 1:1/5:1		Name Prepared: Suess Georg	Date 08.Jul.21	ALPLA			
ALPLA reserves all rights to the technical IP contained in the document		Superseded: Superseded by: Weight: 0.00kg					
Title: Eco cap ASC RSC 38mm Eco Cap				Art.No.:		Page: 1 of 1	
				Drawing No.:		Revision: 00	
				9301_012_021_01_C1			