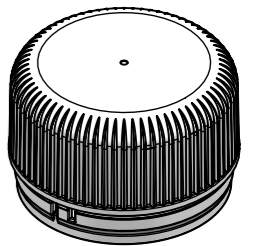
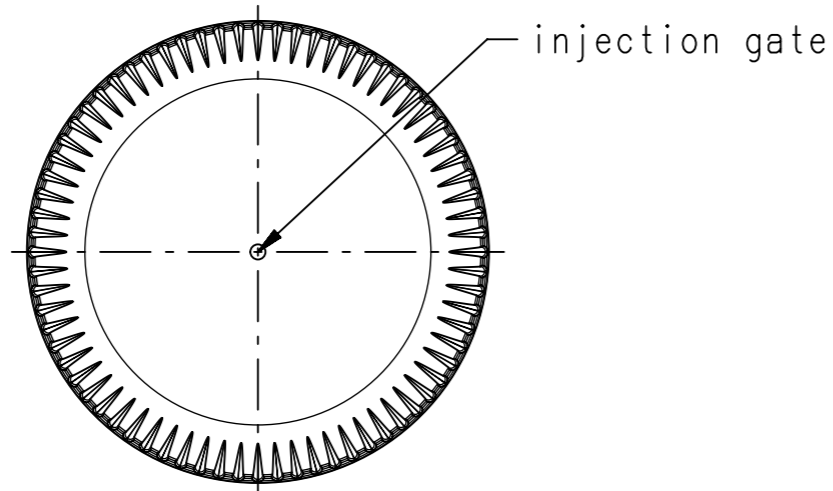
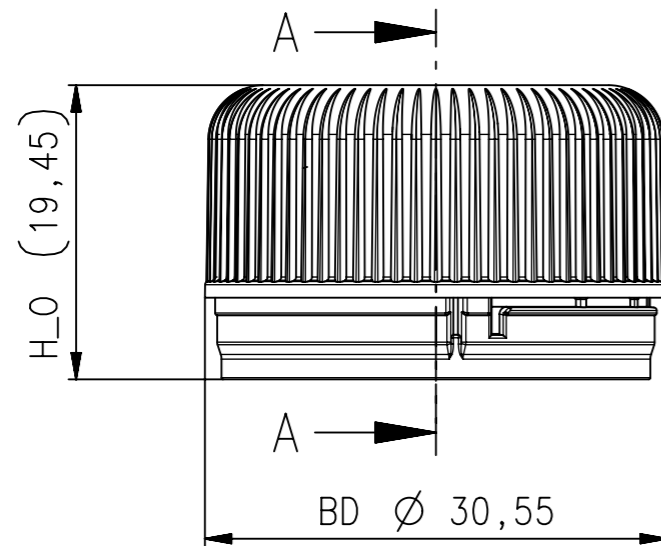
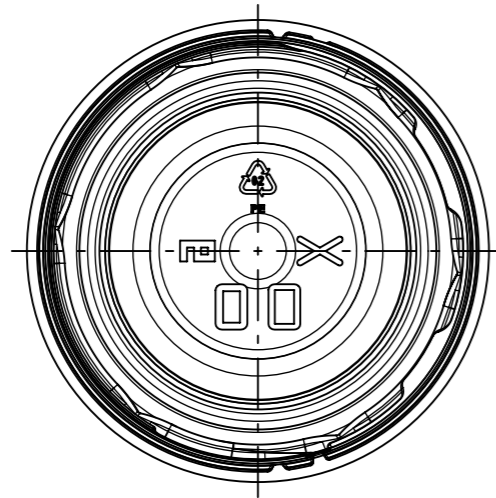
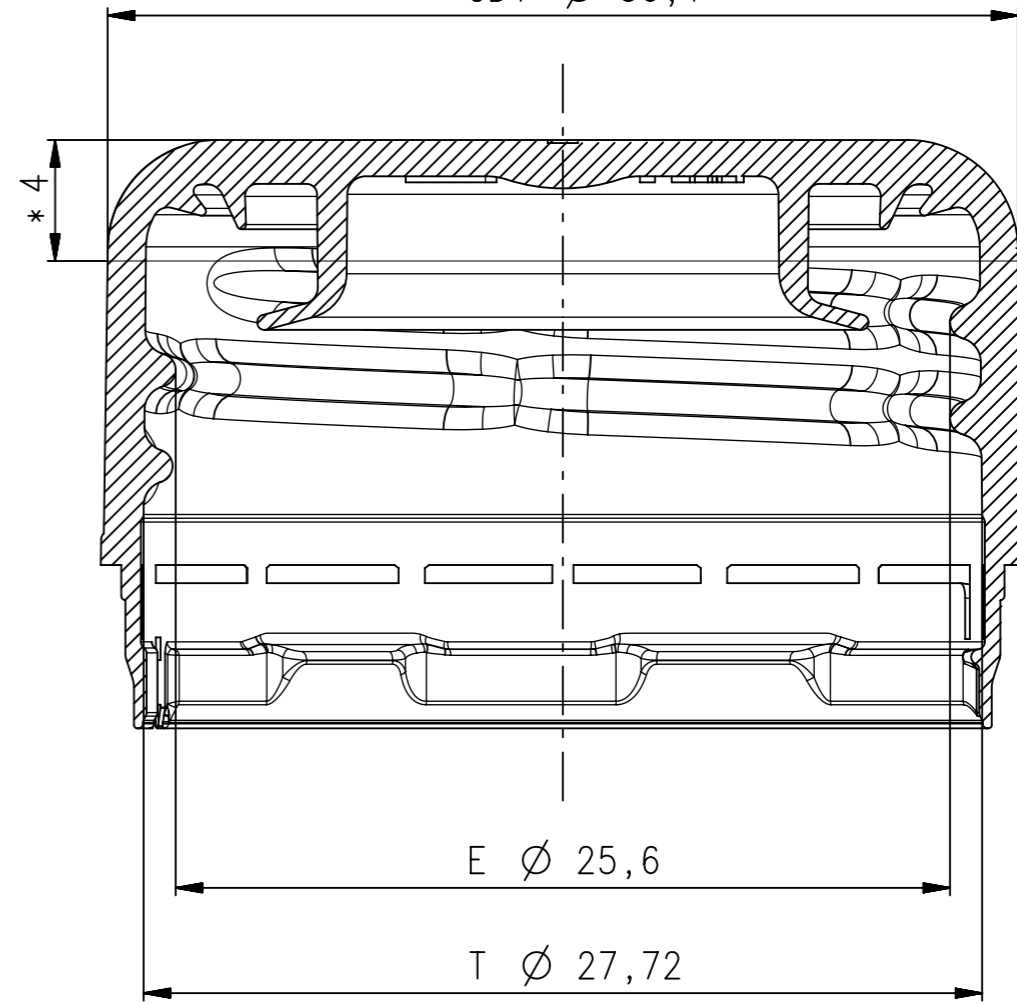


SECTION A-A

SCALE 4:1

* OD1 \varnothing 30,1



THREAD DETAIL:

PITCH: 3,175mm
 TURNS: 1,8
 1 START THREAD

* measuring point

Index	Modification:	Name	Date	Index	Modification:	Name	Date
-	-	-	-	-	-	-	-
Scale: 2:1 1:1/4:1		Name Prepared: Suess Georg	Date 28.Jul.21	ALPLA			
ALPLA reserves all rights to the technical IP contained in the document		Superseded: Superseded by: Weight: 00kg					
Title: ASC4101_3202_04.0 ASC 28mm cap for returnable Glass bottles				Art.No.:		Page: 1 of 1	
				Drawing No.:		Revision: 00	
				9301_019_045_02_C2			