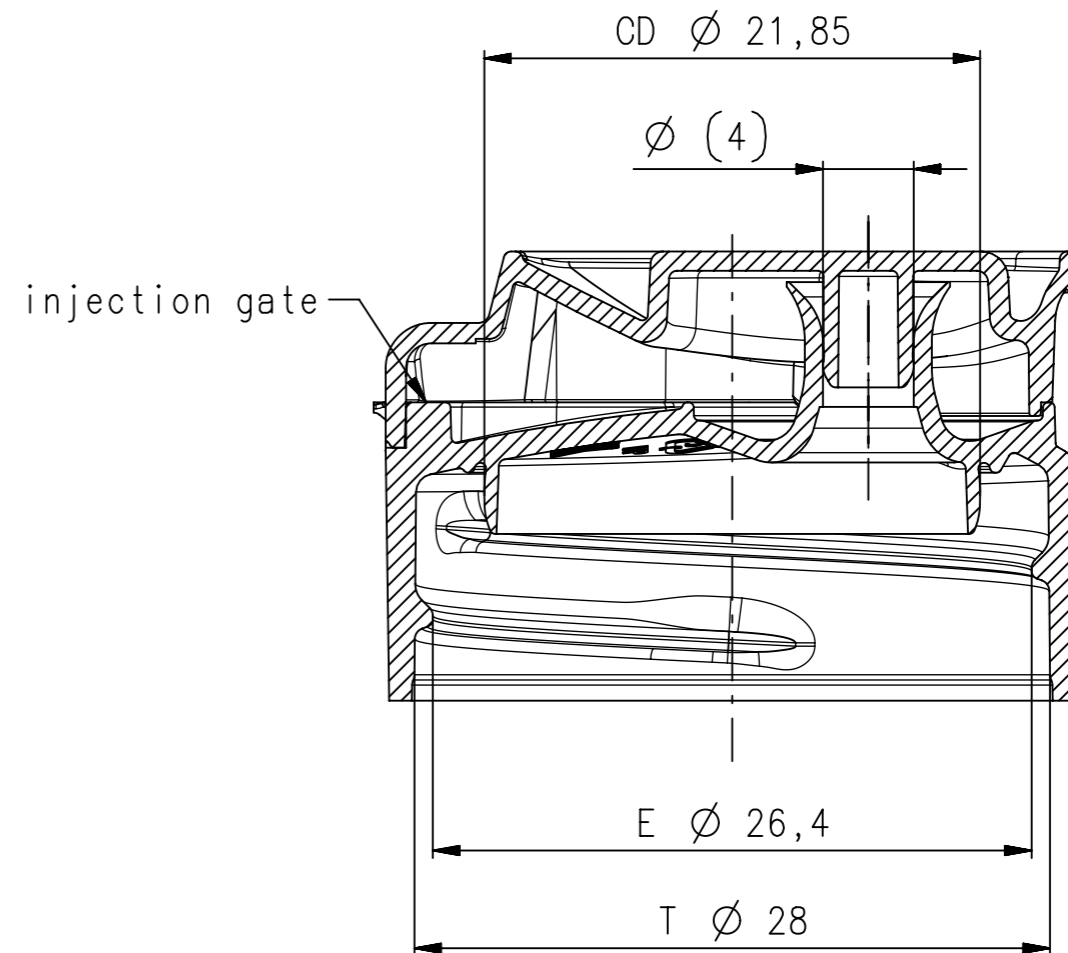
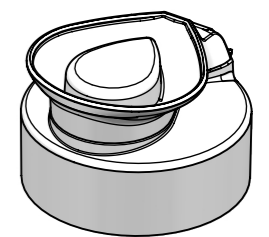


SECTION A-A
SCALE 3:1



THREAD DETAIL:

PITCH: 4,233mm
TURNS: 1,15
1 START THREAD



Note: hinge in closed position equates not to reality

Index	Modification:	Name	Date	Index	Modification:	Name	Date		
-	-	-	-	-	-	-	-		
Scale: 2:1 1:1/3:1		Name Prepared: Suess Georg Reviewed:	Date 28.Jul.21						
ALPLA reserves all rights to the technical IP contained in the document		Superseded: Superseded by: Weight: 00kg						Art.No.:	Page: 1 of 1
Title: FT Cap 28-400 ASC FCR 28/400 dish wash Flip Cap		Drawing No.:						Revision: 00	
				9301_020_010_01_C2					