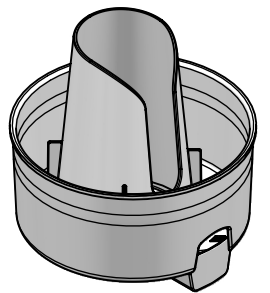
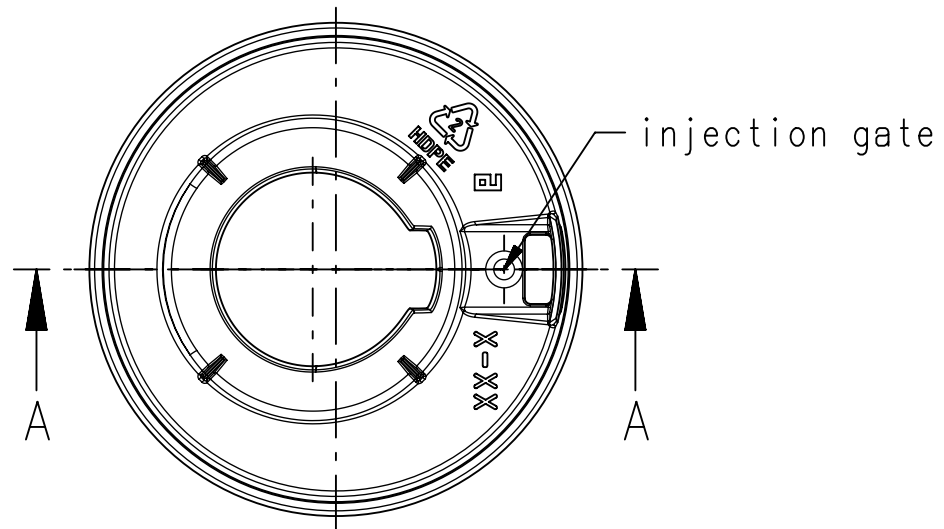
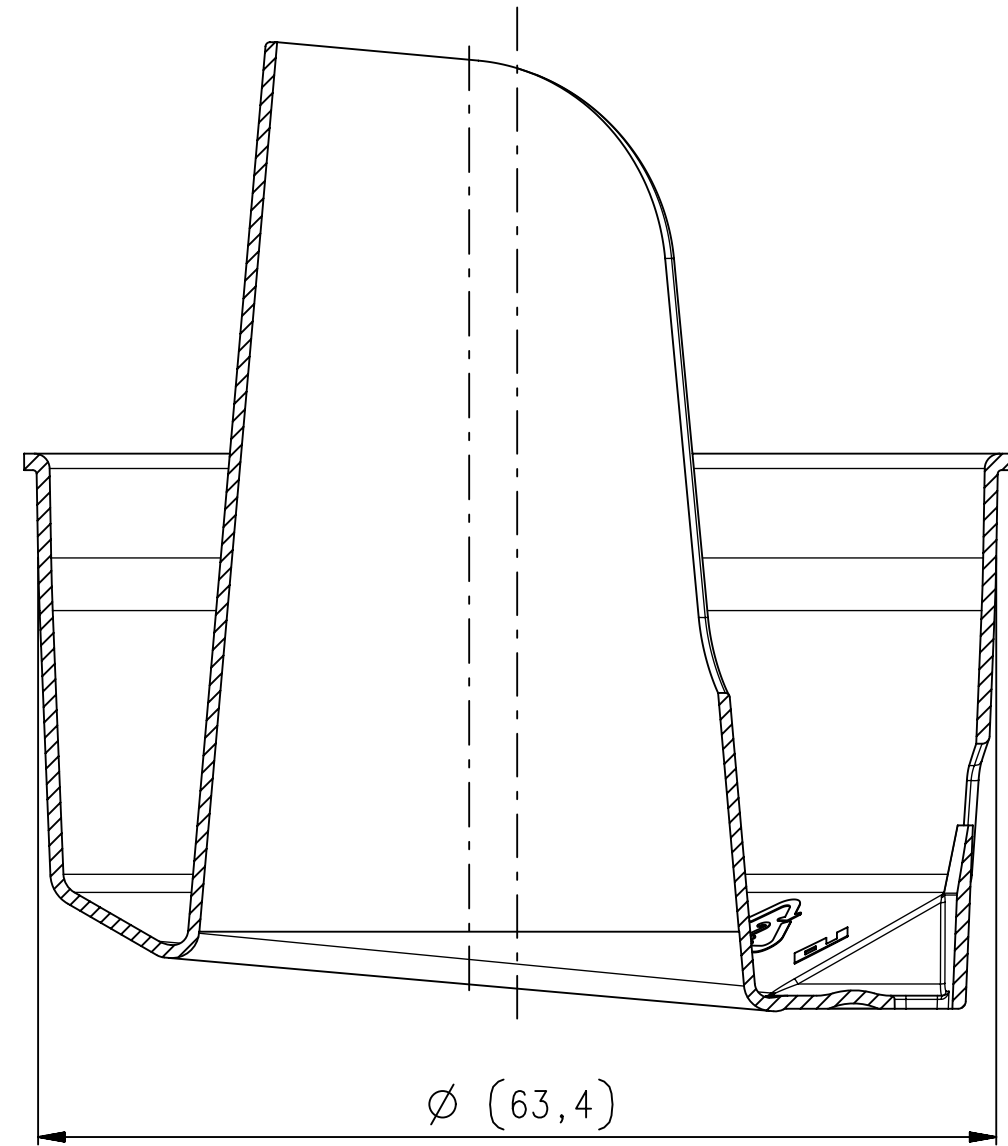
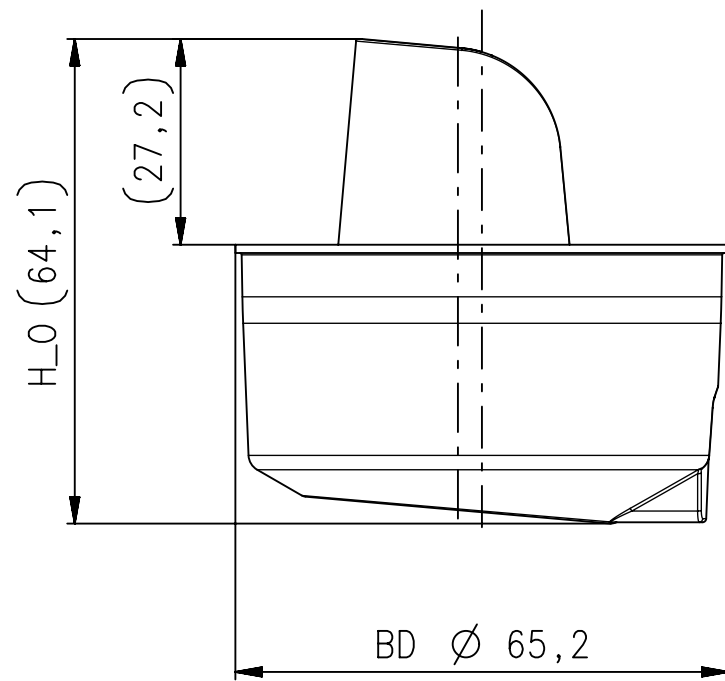
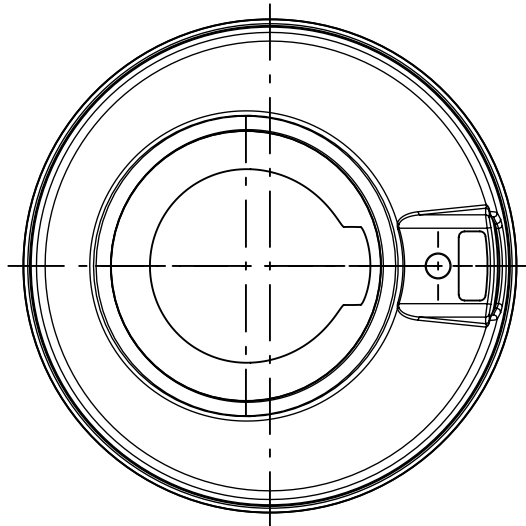


SECTION A-A
SCALE 2:1



Index	Modification:	Name	Date	Index	Modification:	Name	Date
-	-	-	-	-	-	-	-
Scale: 1:1 1:2/2:1		Name Prepared: Suess Georg Reviewed:	Date 04.Aug.21	ALPLA			
ALPLA reserves all rights to the technical IP contained in the document		Superseded: Superseded by: Weight: 0.00kg					
Title: Spout 70mm HDPE ASS 70mm Spout				Drawing No.:		Revision: 00	
				9301_020_088_01_C1			