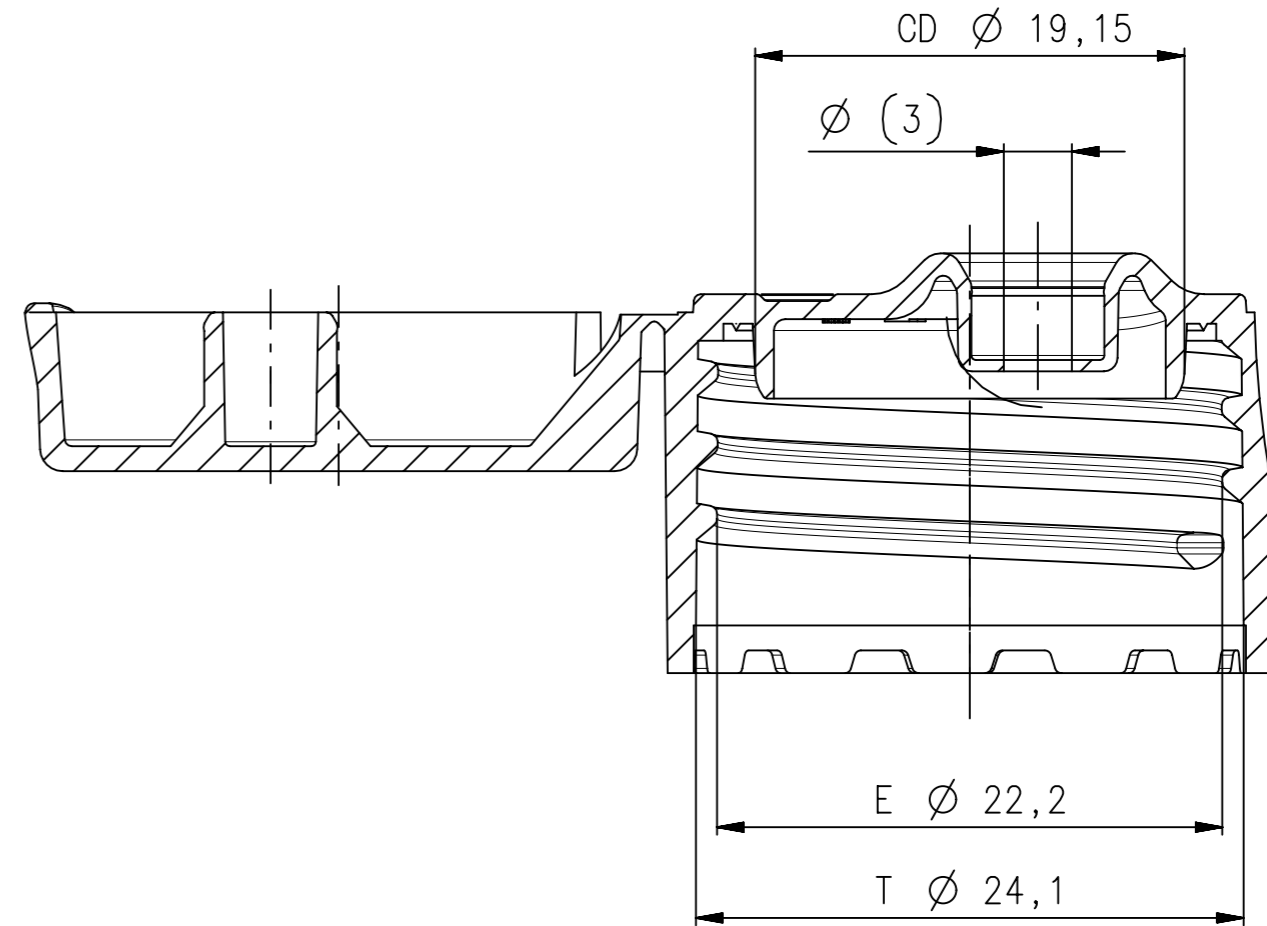
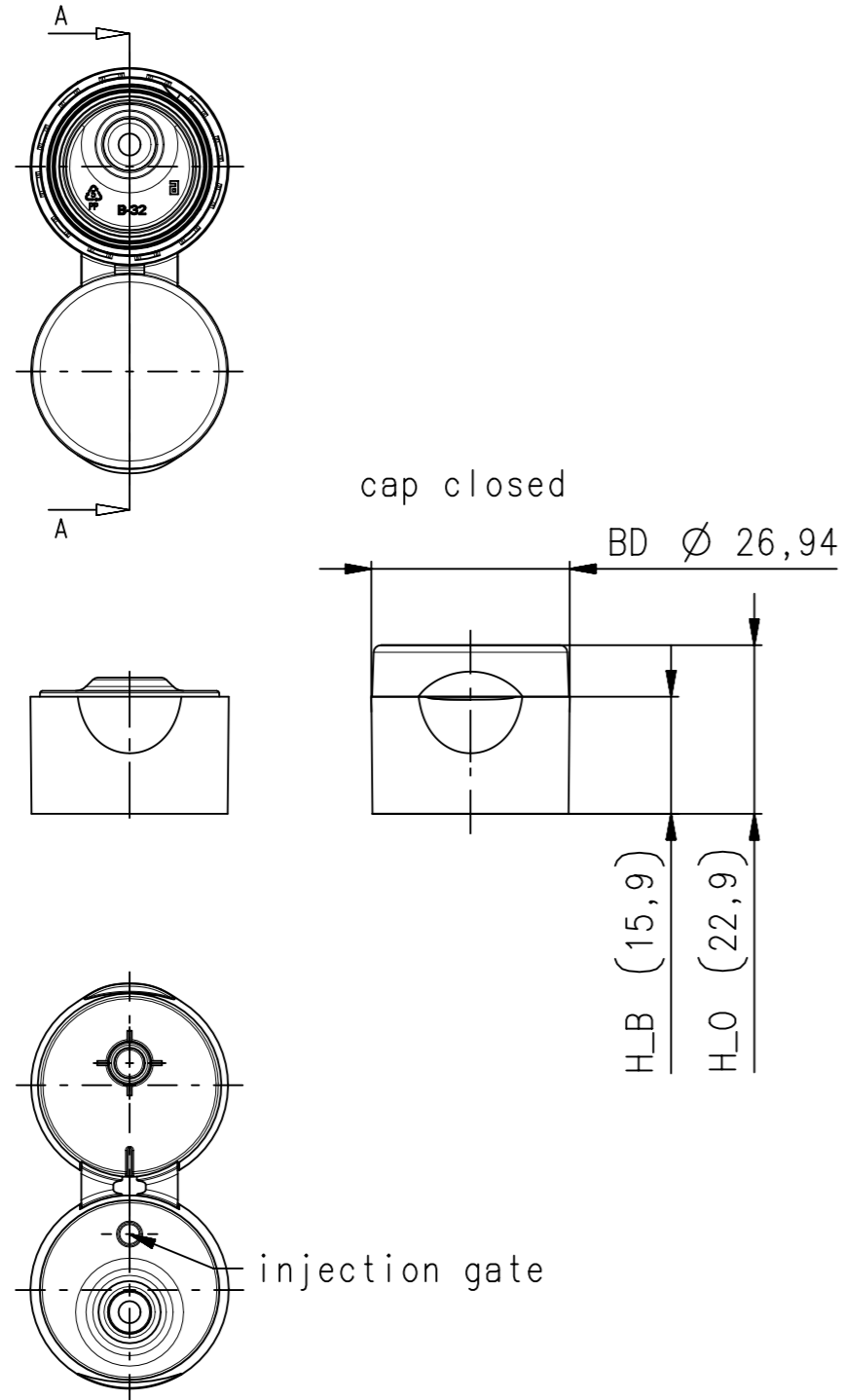


SECTION A-A
SCALE 3:1



THREAD DETAIL:

PITCH: 3,18mm
 TURNS: unscrew
 1 START THREAD

Attention!
 Data associated to this drawing is
 embedded directly from external sources.
 File reference: T-2885_24MM_FTC_CAP.pdf

Index	Modification:	Name	Date	Index	Modification:	Name	Date
-	-	-	-	-	-	-	-
Scale: 1:1 3:1		Name Prepared: Suess Georg	Date 28.Jul.21	ALPLA			
ALPLA reserves all rights to the technical IP contained in the document		Superseded: Superseded by: Weight: 0.00kg					
Title: ASC FCR 24_410 Flip Cap_3_5 ASC FCR 24/410 Flip Cap				Art.No.:		Page: 1 of 1	
				Drawing No.:		Revision: 00	
				9301_021_111_01_C1			