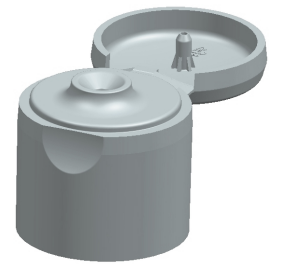
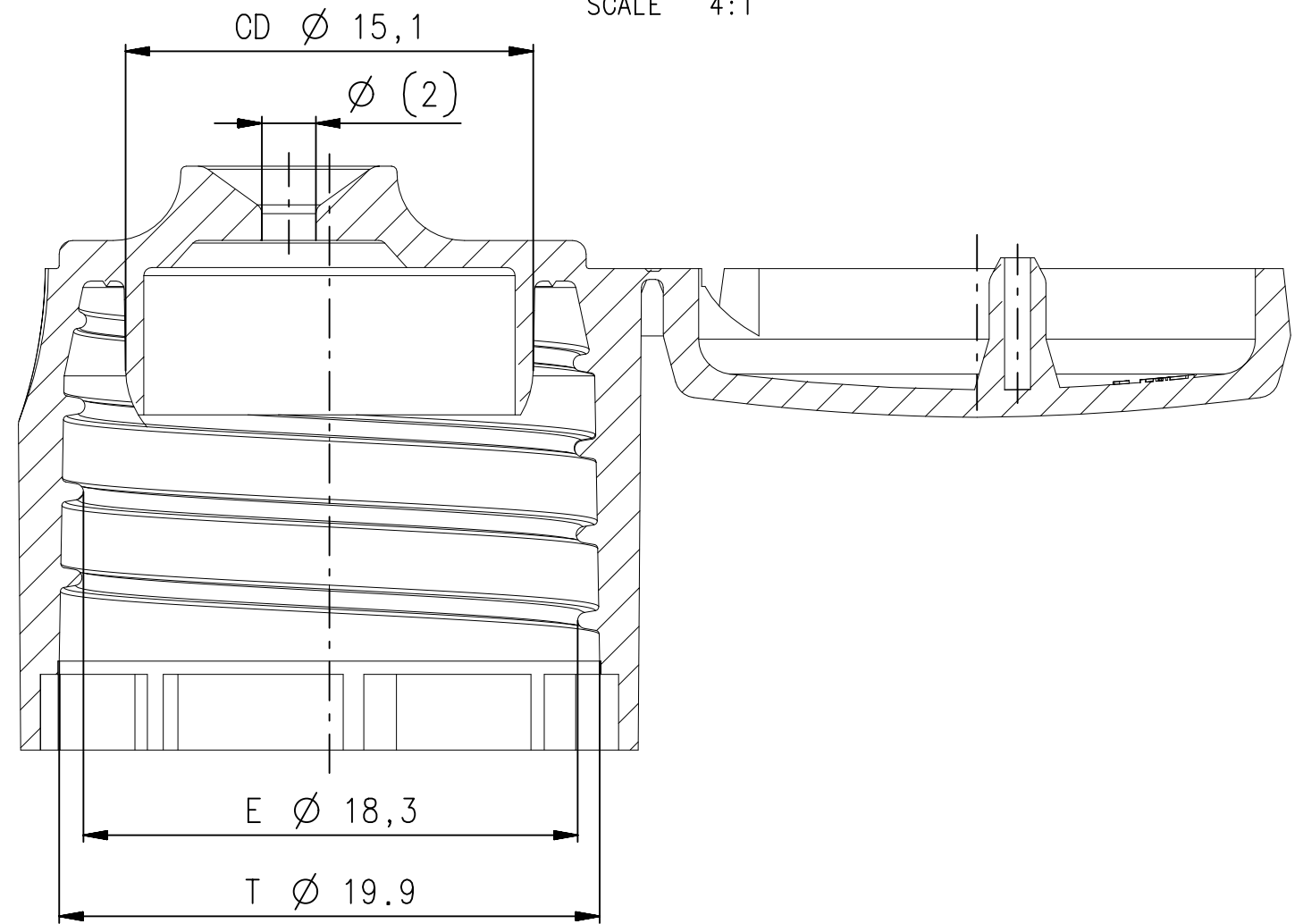


SECTION A-A

SCALE 4:1




THREAD DETAIL:

PITCH: 3,175mm  
 TURNS: unscrew  
 1 START THREAD

Attention!

Data associated to this drawing is embedded directly from external sources.  
 File reference: 20-415 FT Cap 3,20 g IN, Baddi.pdf

Index	Modification:	Name	Date	Index	Modification:	Name	Date
-	-	-	-	-	-	-	-
Scale:		Name		Date			
2:1		Prepared: Dangl Matthias		28.Jul.21			
1:1		Reviewed:					
ALPLA reserves all rights to the technical IP contained in the document		Superseded:		Art.No.:		Page: 1 of 1	
		Superseded by:		Drawing No.:		Revision: 00	
Title:		Weight: 0.00kg		ASC FCR 20_415 Flip Cap_3_2		9301_021_124_01_C1	
		ASC FCR 20/415 Flip Cap					