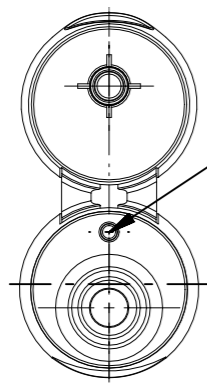
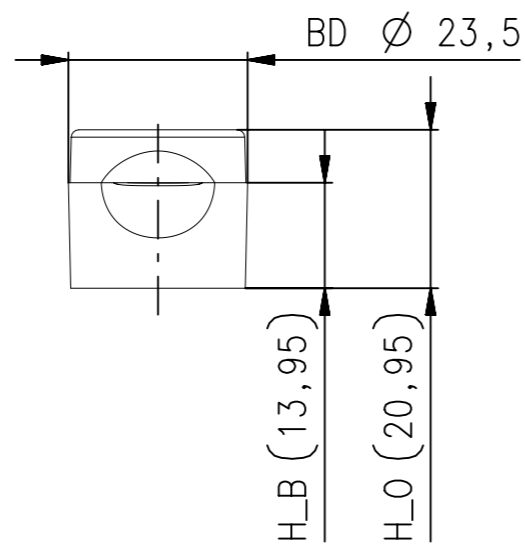
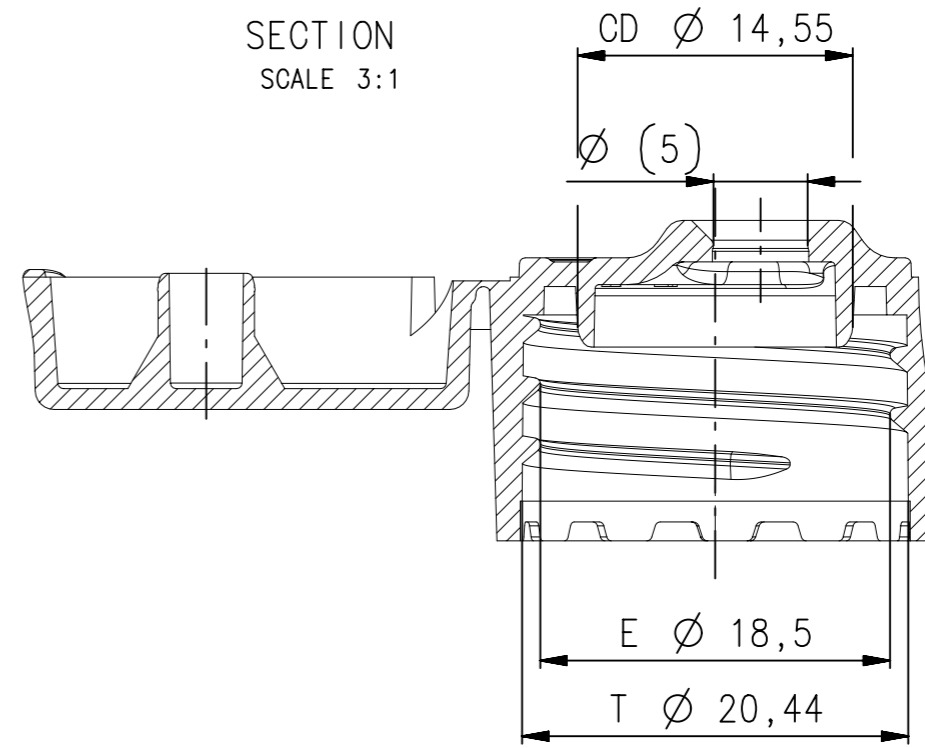


cap closed



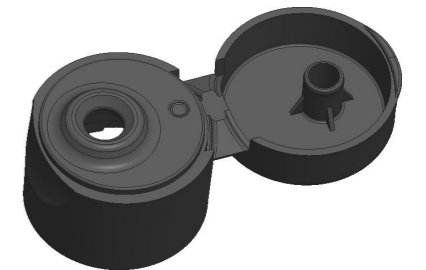
injection gate

SECTION  
SCALE 3:1



**THREAD DETAIL:**

PITCH: 3,18mm  
TURNS: unscrew  
1 START THREAD



Attention!  
Data associated to this drawing is  
embedded directly from external sources.  
File reference: 20-410 FT Cap 2,85 g IN, Baddi.pdf

Index	Modification:	Name	Date	Index	Modification:	Name	Date
-	-	-	-	-	-	-	-
Scale: 1:1 3:1		Name Prepared: Suess Georg	Date 28.Jul.21	<b>ALPLA</b>			
ALPLA reserves all rights to the technical IP contained in the document		Superseded: Superseded by: Weight: 0.00kg					
Title: ASC FCR 20_410 Flip Cap_2_85 ASC FCR 20/410 Flip Cap				Art.No.:		Page: 1 of 1	
				Drawing No.:		Revision: 00	
				9301_021_125_01_C1			