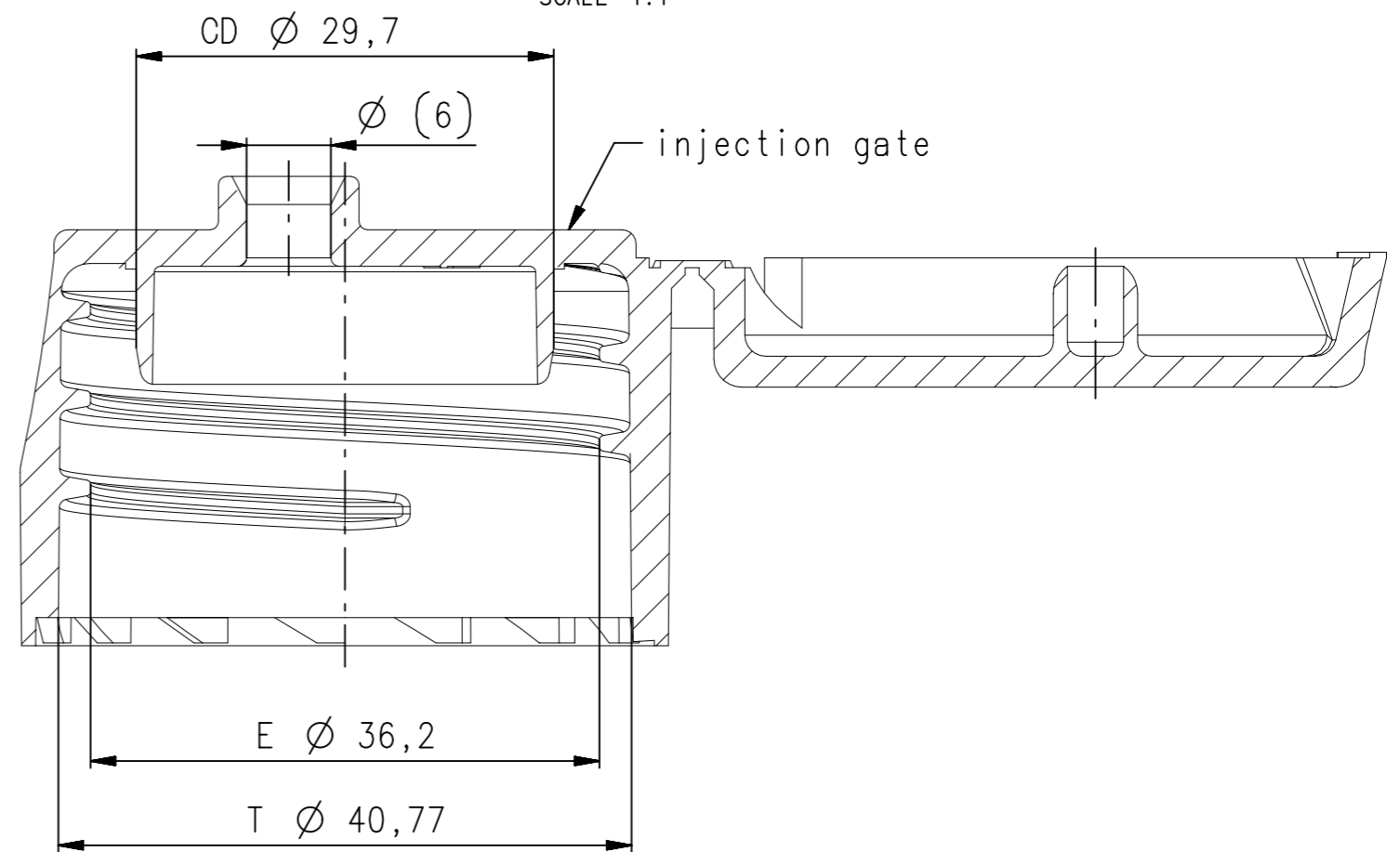


SECTION  
SCALE 4:1



**THREAD DETAIL:**

PITCH: 3,175mm  
 TURNS: unscrew  
 1 START THREAD

Attention!

Data associated to this drawing is embedded directly from external sources.  
 File reference: 20-410 FT Cap 2,45 g IN, Baddi.pdf

Note: hinge in closed position equates not to reality

-		-		-		-	
Index	Modification:	Name	Date	Index	Modification:	Name	Date
Scale: 2:1 4:1		Name	Date	<b>ALPLA</b>			
ALPLA reserves all rights to the technical IP contained in the document		Prepared: Suess Georg	28.Jul.21				
Title: ASC FCR 20_410 Flip Cap_2_45 ASC FCR 20/410 Flip Cap		Superseded:		Art.No.:		Page: 1 of 1	
		Superseded by:		Drawing No.:		Revision: 00	
		Weight: 0.00kg		9301_021_126_01_C1			