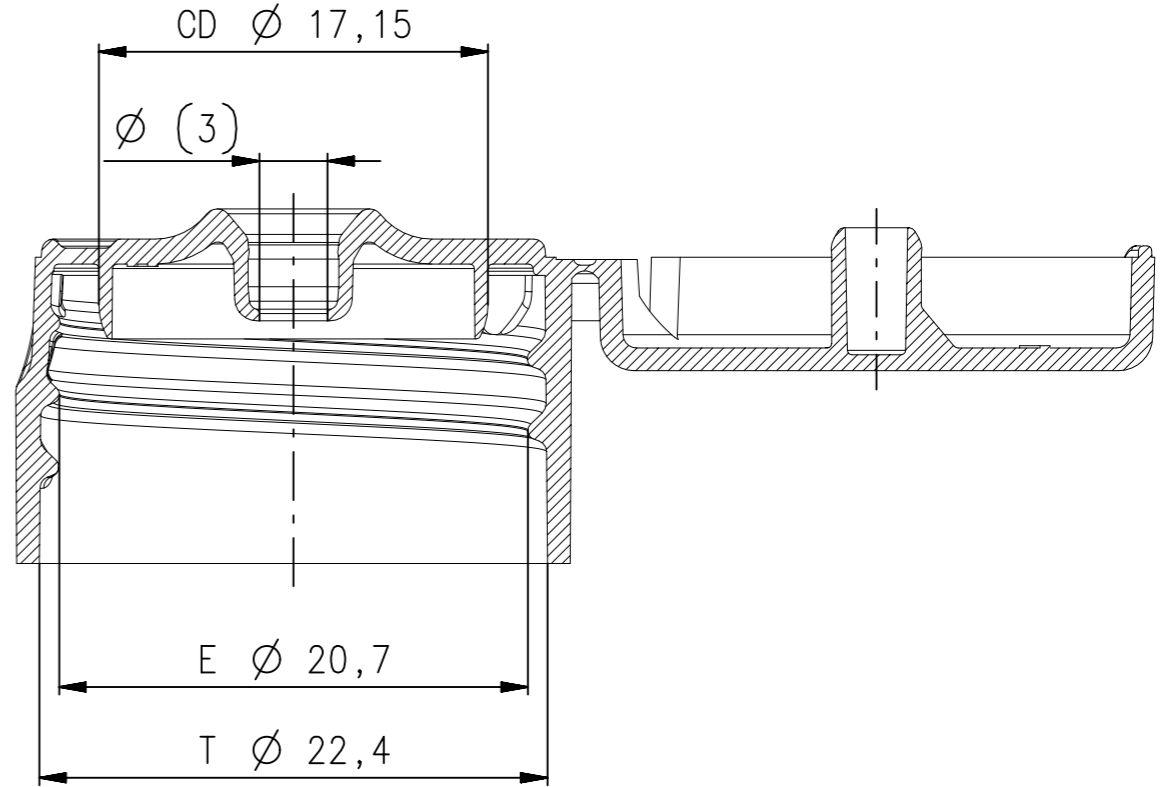
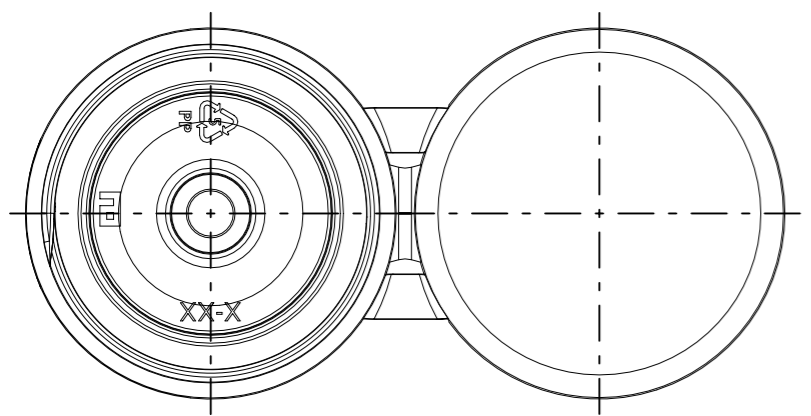
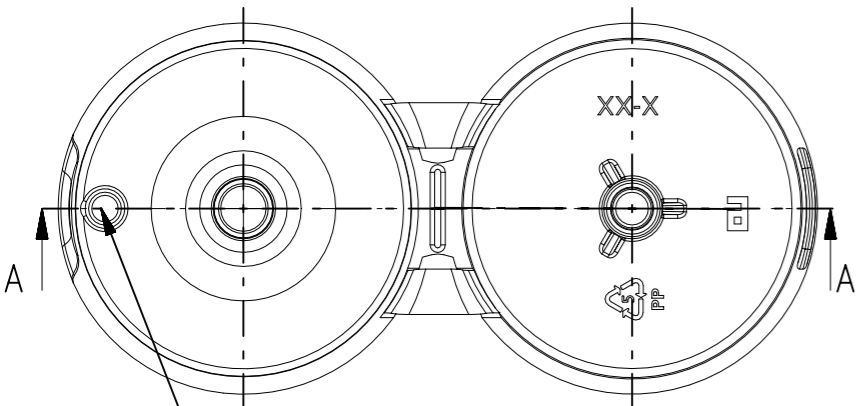
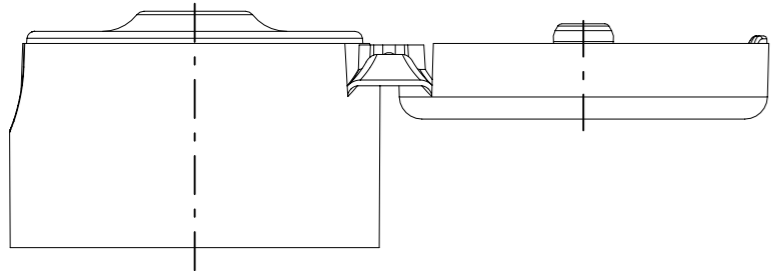
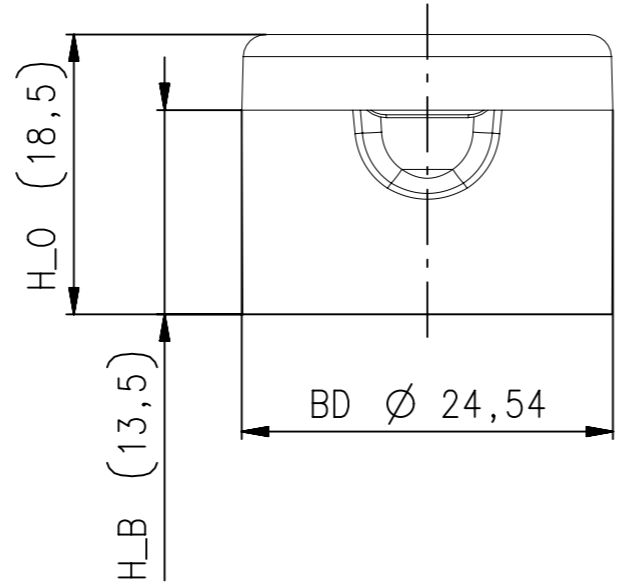


SECTION A-A
SCALE 3:1



cap closed

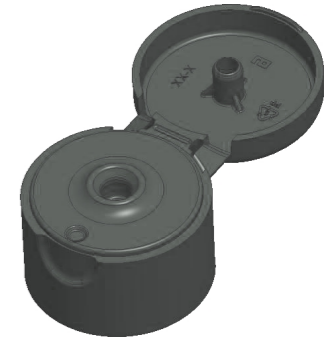



injection gate

THREAD DETAIL:

PITCH: 3,175mm
TURNS: 2
1 START THREAD

Attention!
Data associated to this drawing is
embedded directly from external sources.
File reference: 22-415 FT Cap 2,30 g IN, Pashamylaram.pdf



Index	Modification:	Name	Date	Index	Modification:	Name	Date
-	-	-	-	-	-	-	-
Scale: 2:1 1:1/3:1		Name Prepared: Suess Georg	Date 02.Aug.21				
ALPLA reserves all rights to the technical IP contained in the document		Superseded: Superseded by: Weight: 0.00kg					
Title: ASC FCR 22_415 Flip Cap_2_3 ASC FCR 22/415 Flip Cap				Drawing No.:		Revision: 00	
				9301_021_132_01_C1			