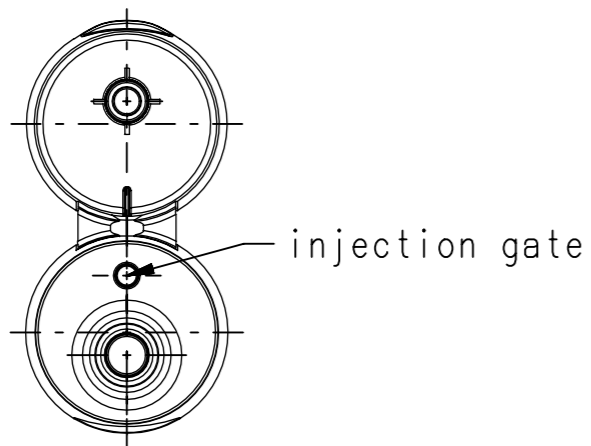
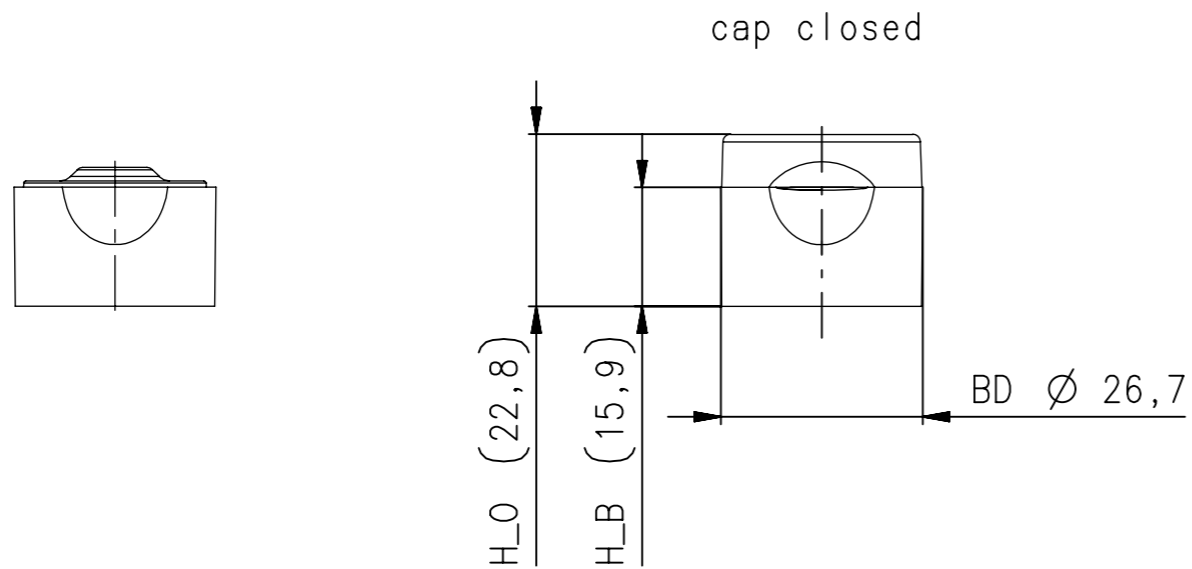
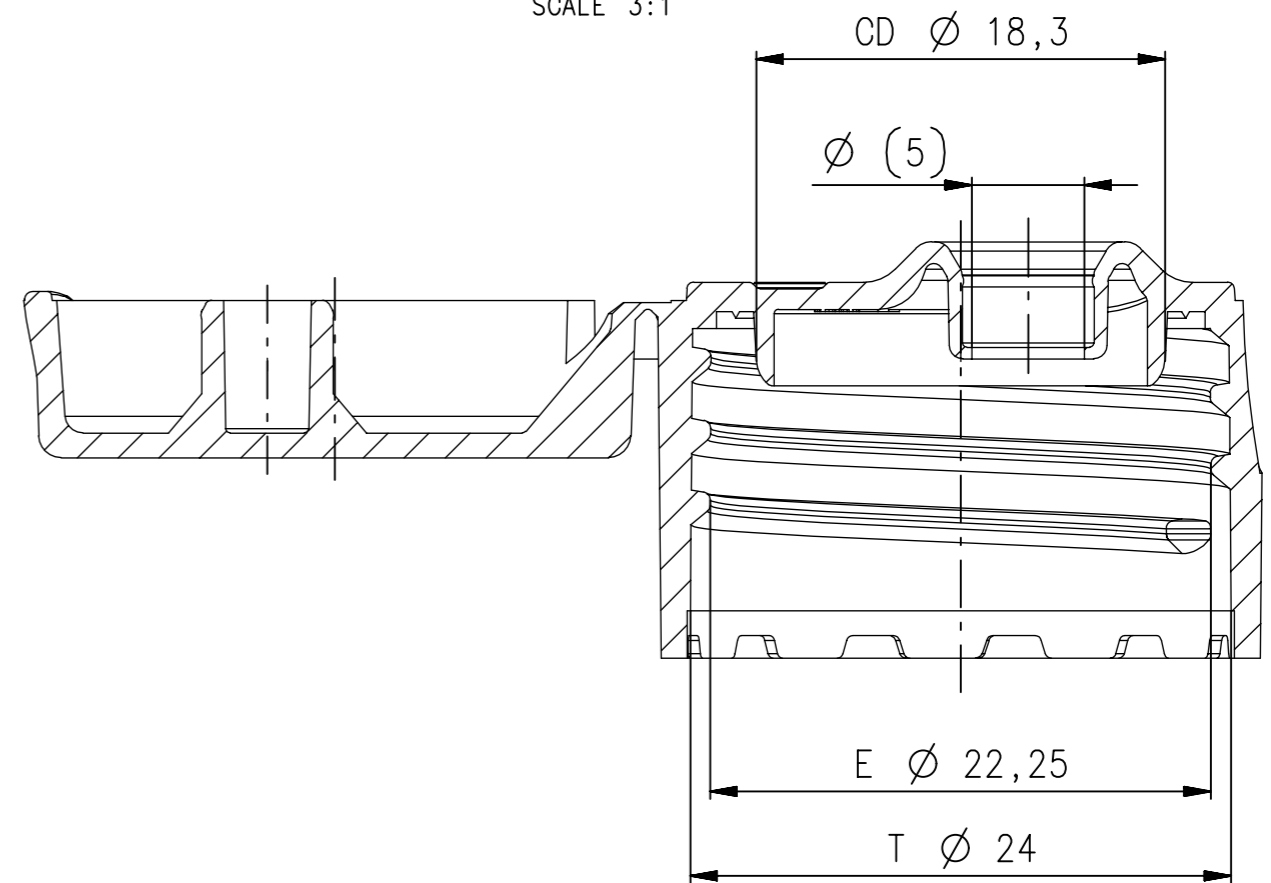
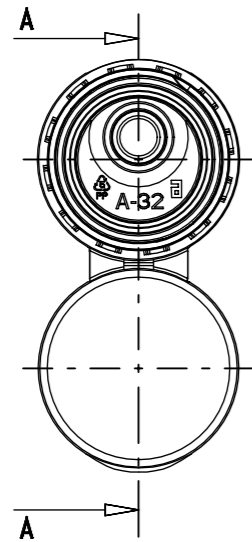


SECTION A-A
SCALE 3:1



THREAD DETAIL:

PITCH: 3,18mm
TURNS: unscrew
1 START THREAD

Attention!
Data associated to this drawing is
embedded directly from external sources.
File reference: ASC FC 24 410.pdf

Index	Modification:	Name	Date	Index	Modification:	Name	Date
-	-	-	-	-	-	-	-
Scale: 1:1 3:1		Name Prepared: Suess Georg	Date 02.Aug.21	ALPLA			
ALPLA reserves all rights to the technical IP contained in the document		Superseded: Superseded by: Weight: 0.00kg					
Title: ASC FC 24_410_3_5 ASC FC 24/410				Art.No.:		Page: 1 of 1	
				Drawing No.:		Revision: 00	
				9301_021_133_01_C1			