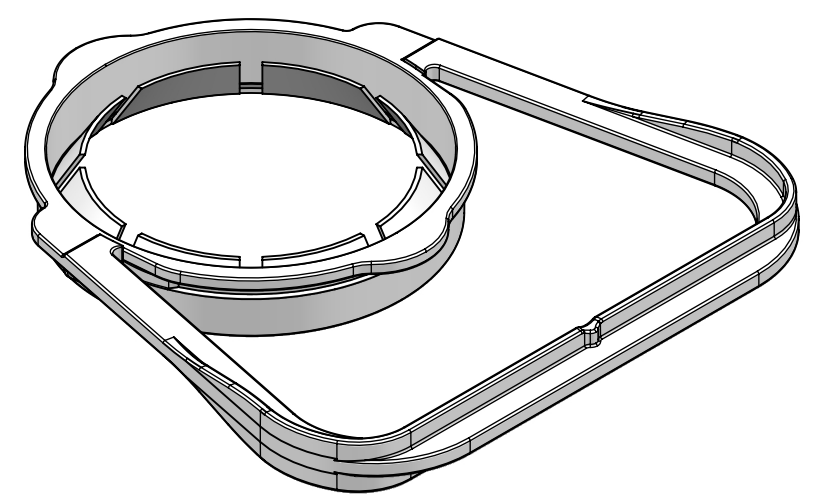
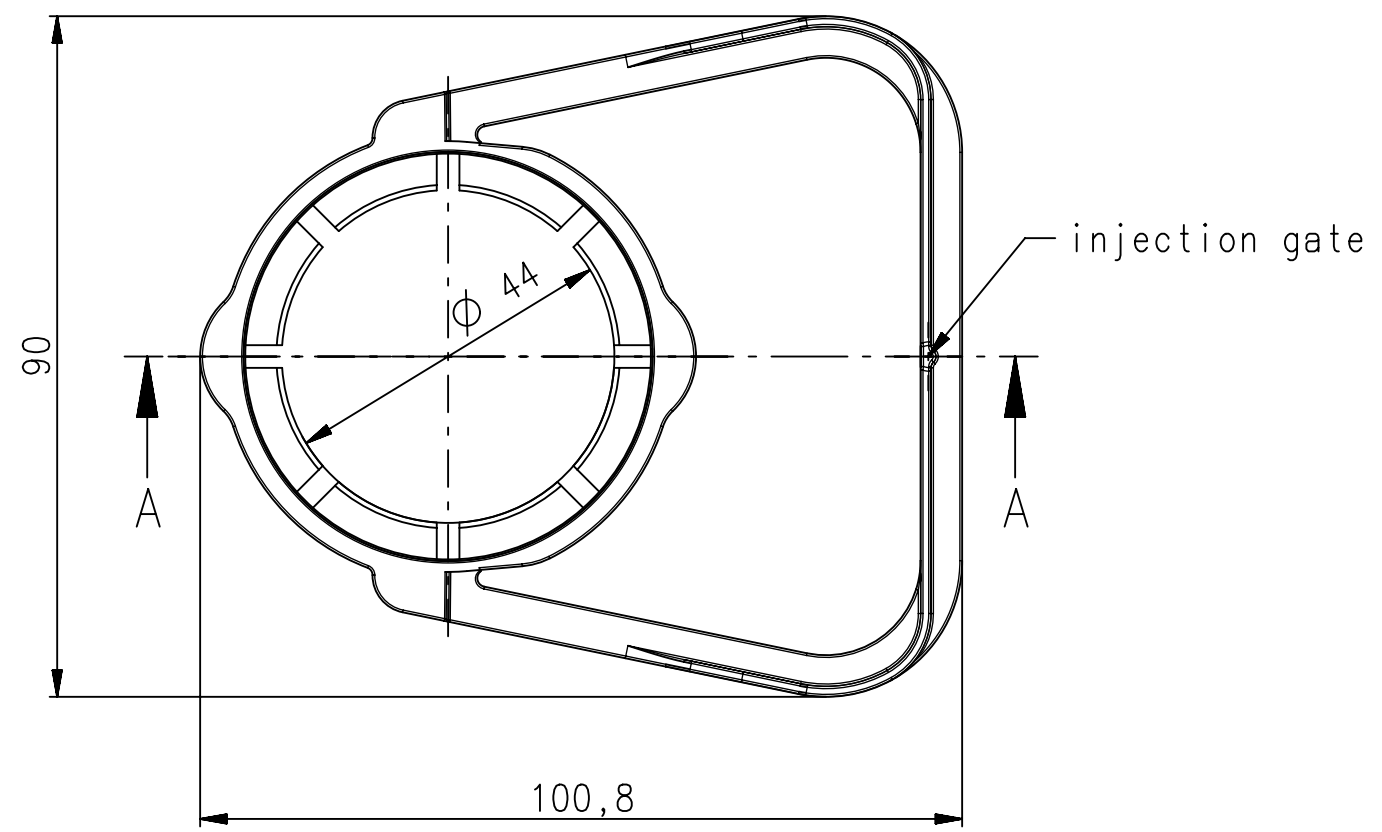
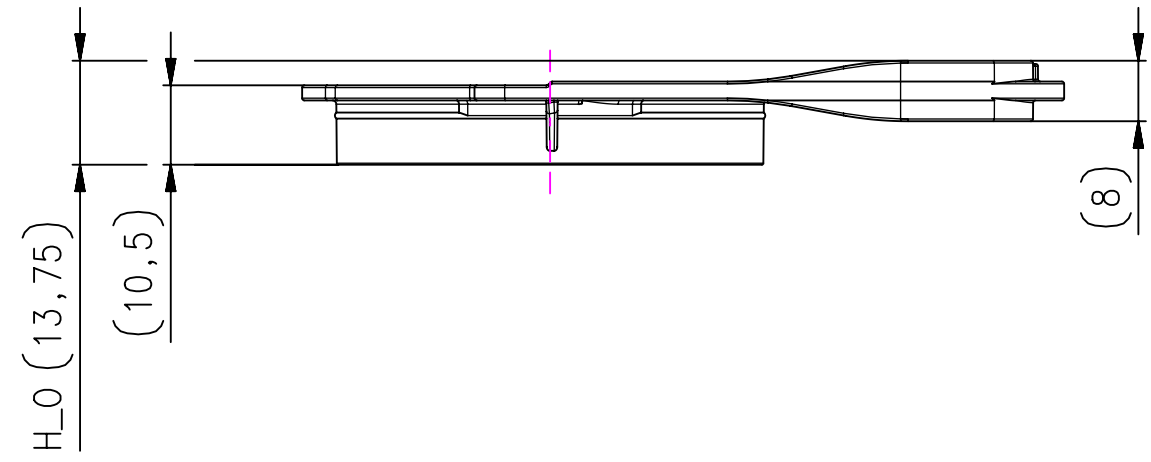
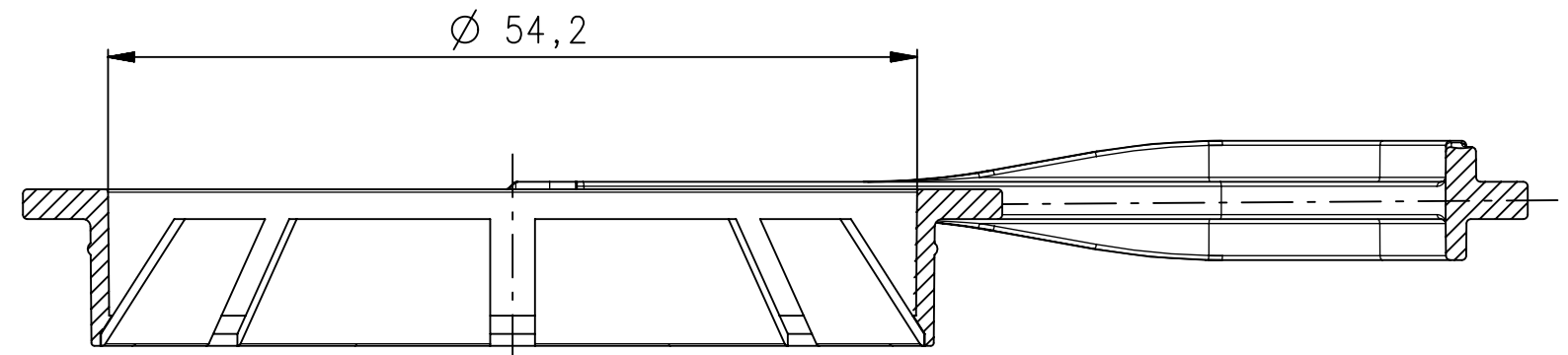



SECTION A-A  
SCALE 2:1



Index	Modification:	Name	Date	Index	Modification:	Name	Date
-	-	-	-	-	-	-	-
Scale:		Name	Date				
1:1		Prepared: Suess Georg	08.Jul.21				
2:1		Reviewed:					
ALPLA reserves all rights to the technical IP contained in the document		Superseded:		Art.No.:			
		Superseded by:		Page: 1 of 1			
		Weight: 0.00kg		Drawing No.:			
Title:				Revision: 00			
HANDLE 5000ml PET BOTTLE				9350_003_002_02_C1			
ASIP Handle 48mm asymmetrical							