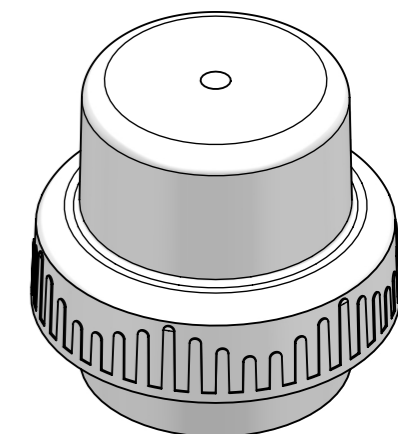
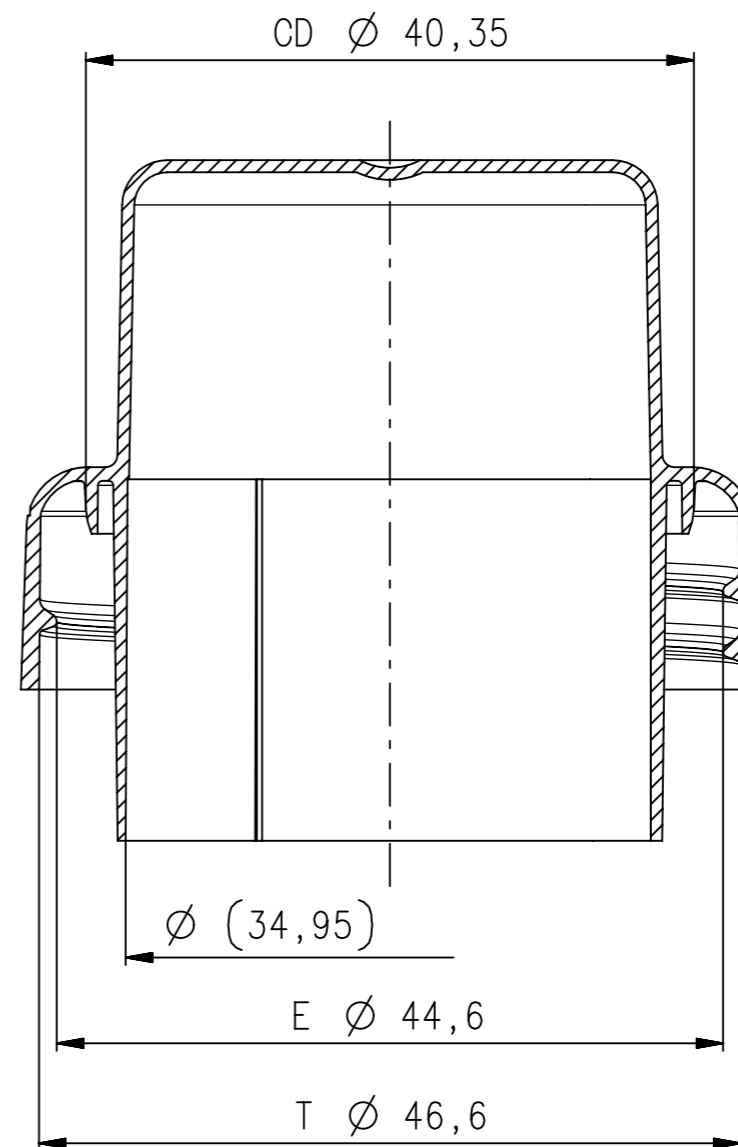


SECTION A-A
SCALE 2:1



THREAD DETAIL:

PITCH: 4,0mm
TURNS: 1,25
1 START THREAD

Index	Modification:	Name	Date	Index	Modification:	Name	Date
-	-	-	-	-	-	-	-
Scale: 1:1 2:1		Name Prepared: Suess Georg	Date 27.Jul.21	ALPLA			
ALPLA reserves all rights to the technical IP contained in the document		Superseded: Superseded by: Weight: 0.00kg					
Title: DOSIERVERSCHLUSS II ASC DC 40ml				Art.No.:		Page: 1 of 1	
				Drawing No.:		Revision: 00	
				9360_104_003_10_C1			