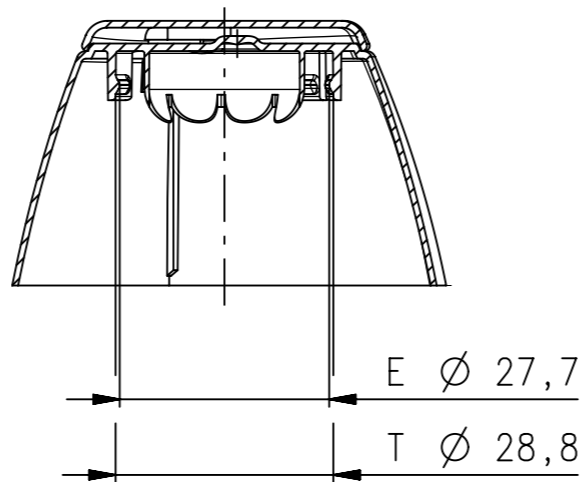
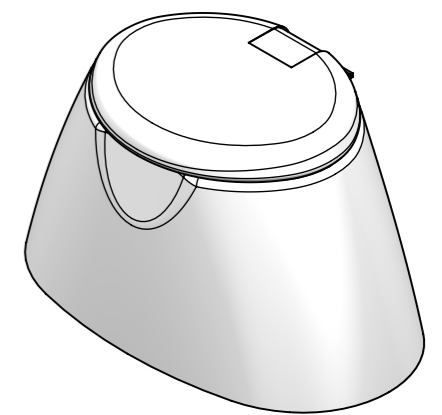
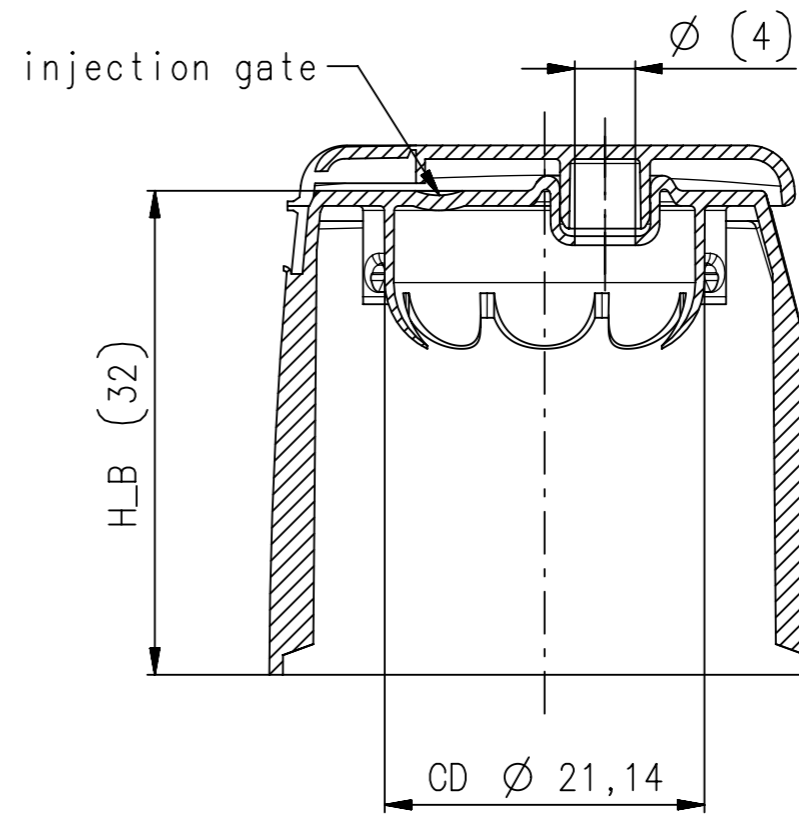


SECTION B-B  
SCALE 1:1  
view turned by 25°



SECTION A-A  
SCALE 2:1



Note: hinge in closed position equates not to reality

Index	Modification:	Name	Date	Index	Modification:	Name	Date
-	-	-	-	-	-	-	-
Scale: 1:1 2:1		Name Prepared: Suess Georg	Date 27.Jul.21	<b>ALPLA</b>			
ALPLA reserves all rights to the technical IP contained in the document		Superseded: Superseded by: Weight: 0.00kg					
Title: CARIBIC CAP ASC FCO Caribic Flip Cap				Art.No.:		Page: 1 of 1	
				Drawing No.:		Revision: 00	
				9385_103_002_01_C1			