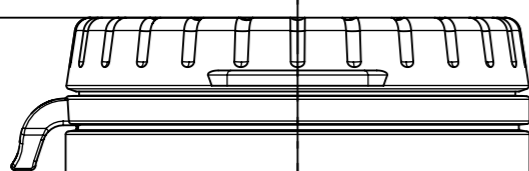


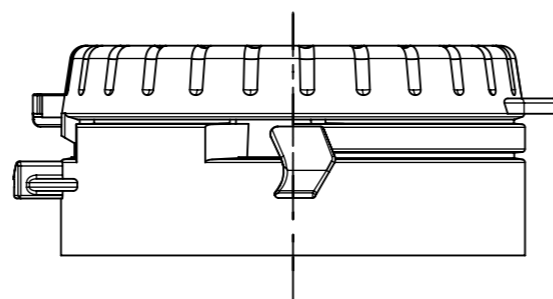
H_{L0} (13,6)

A

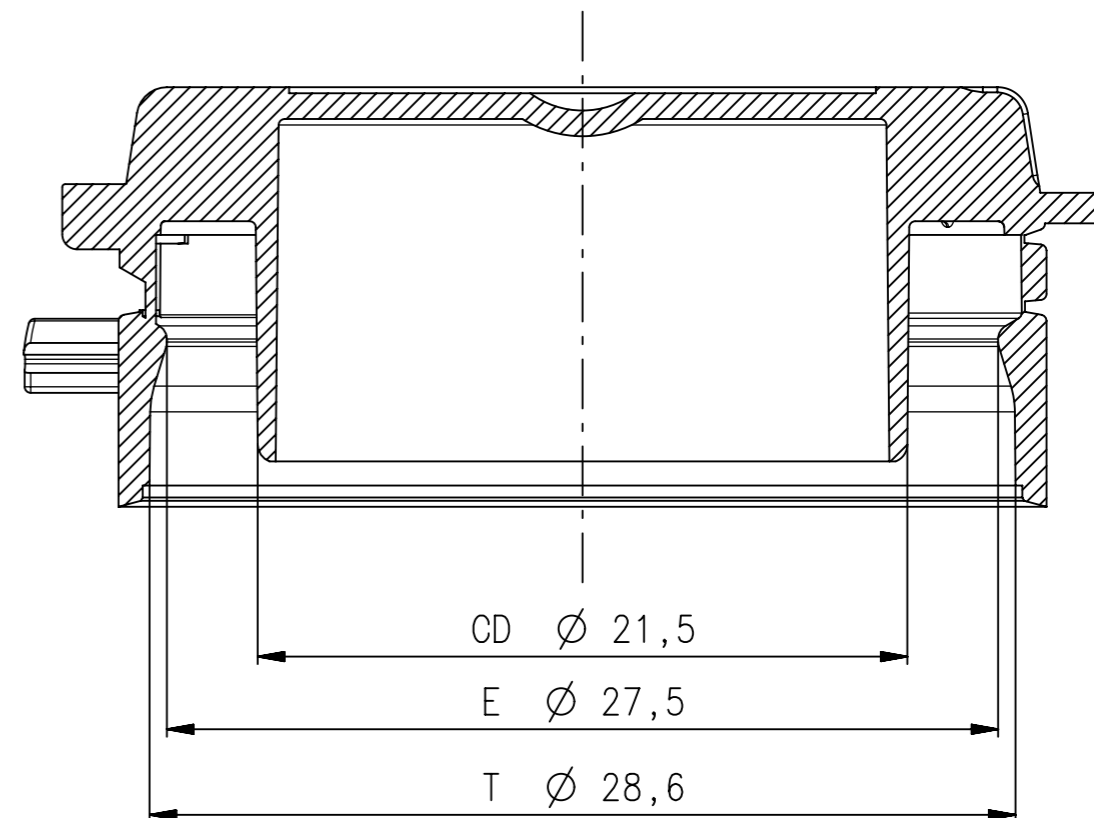


A

BD Ø 30,7



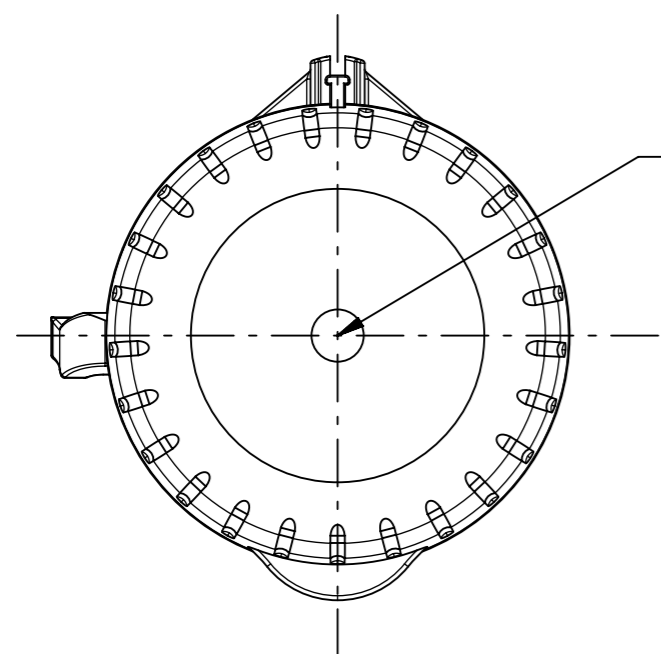
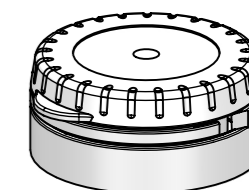
SECTION A-A
SCALE 4:1




CD Ø 21,5

E Ø 27,5

T Ø 28,6



injection gate

| Index | Modification: | Name | Date | Index | Modification: | Name | Date |
|---|---------------|---------------------------|-----------|---|---------------|--------------|------|
| - | - | - | - | - | - | - | - |
| Scale: 2:1 1:1/4:1 | | Name | Date |  | | | |
| ALPLA reserves all rights to the technical IP contained in the document | | Prepared: Dangel Matthias | 27.Jul.21 | | | | |
| Title: | | Superseded: | | Art.No.: | | Page: 1 of 1 | |
| Fast 2R - Verschluss | | Superseded by: | | 9393_098_001_02_C1 | | Revision: 00 | |
| ASC 29/21 edible oil closure | | Weight: 0.00kg | | | | | |