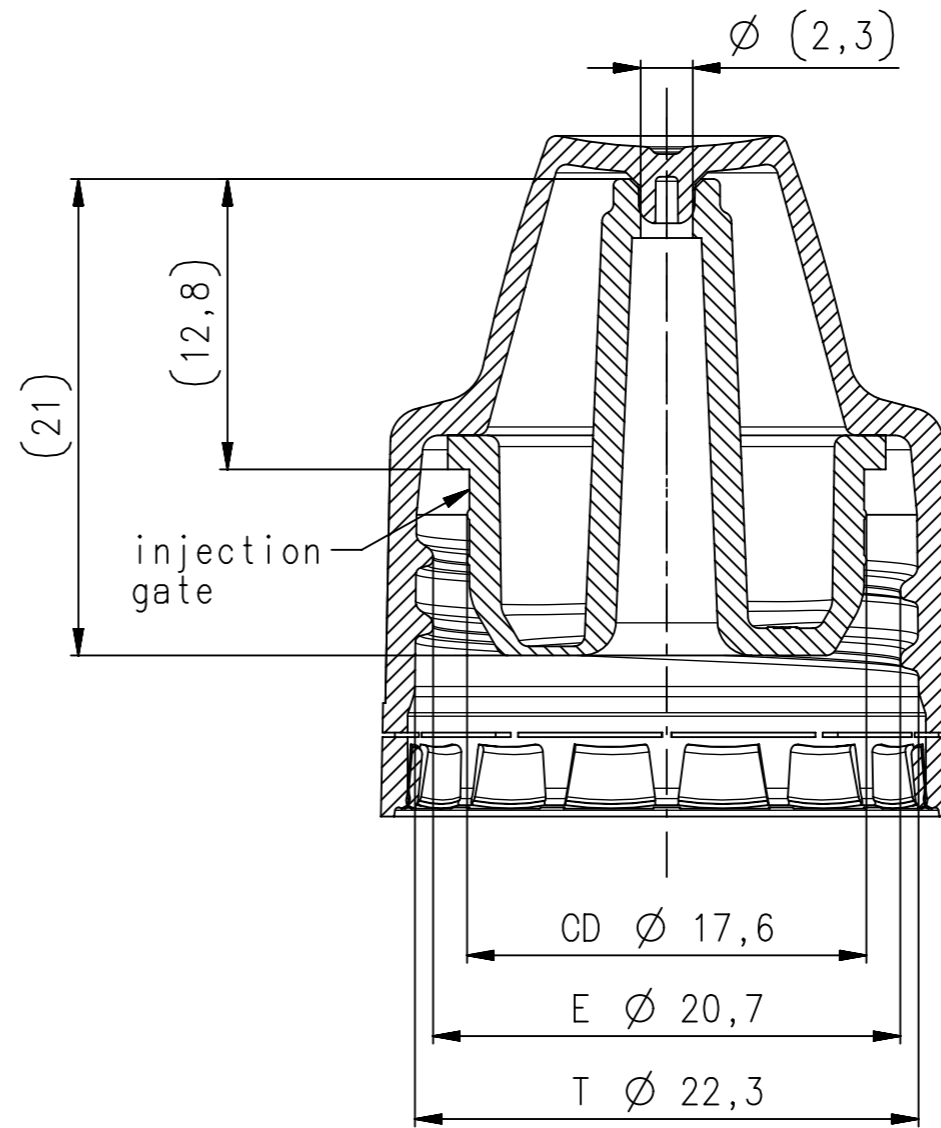
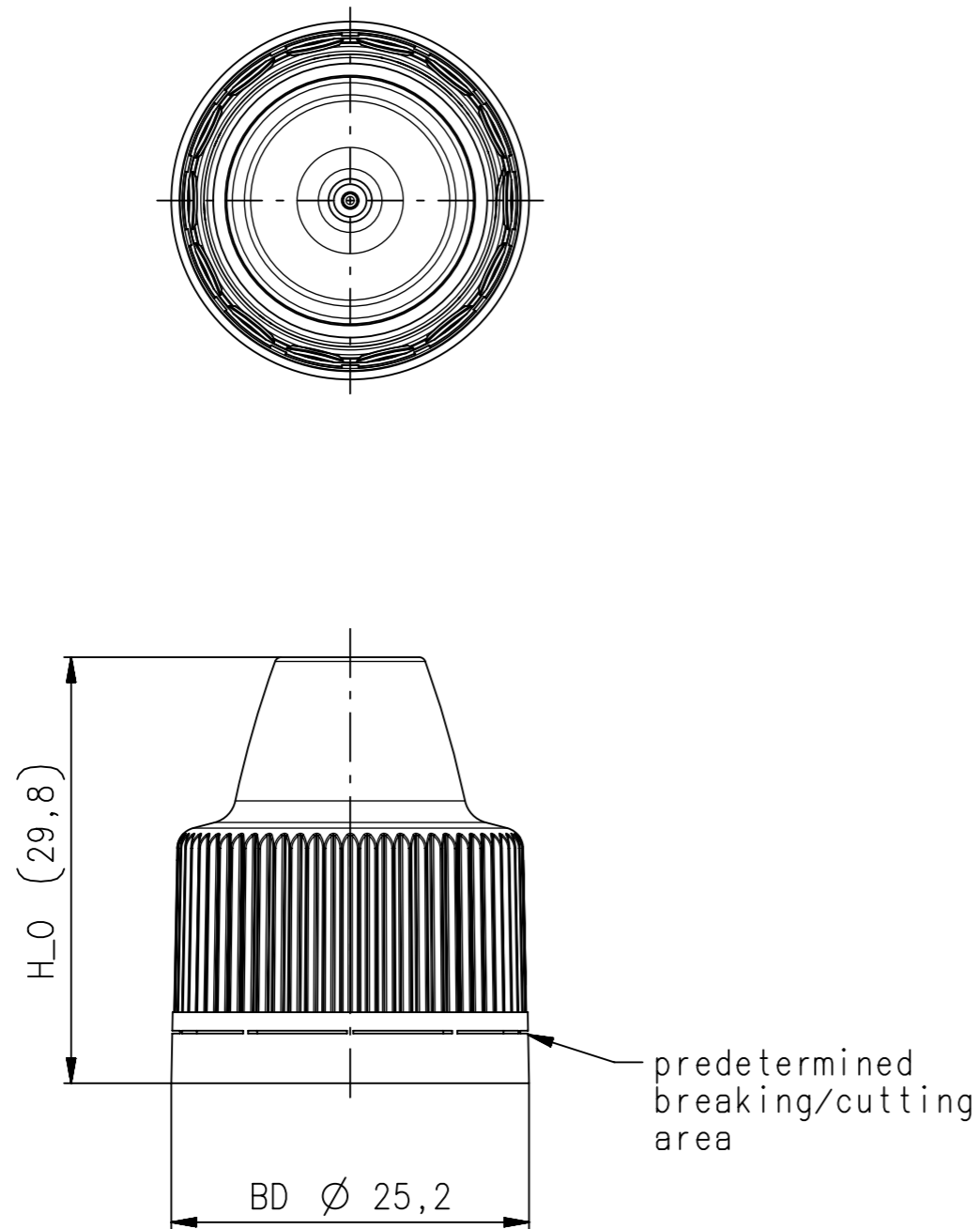
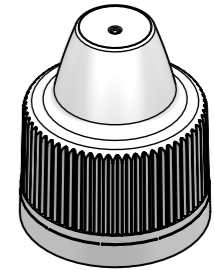


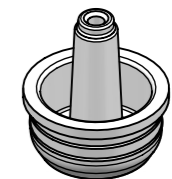
SECTION A-A
SCALE 3:1



Corega Cap HDPE



Corega Insert

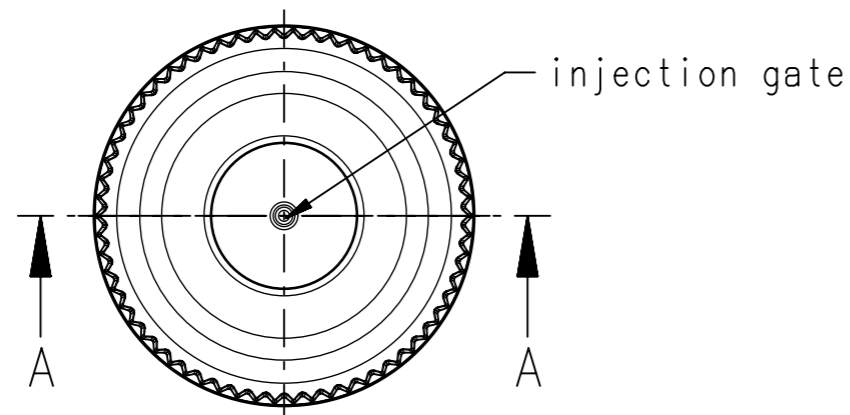
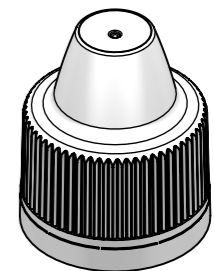


SYSTEM INFORMATION

insert: 9301_013_054_02
cap: 9301_013_053_03

THREAD DETAIL:

PITCH: 3,0mm
TURNS: 1,9
1 START THREAD



Index	Modification:	Name	Date	Index	Modification:	Name	Date
-	-	-	-	-	-	-	-
Scale: 2:1 1:1/3:1		Name: Suess Georg	Date: 30.Jul.21	ALPLA			
ALPLA reserves all rights to the technical IP contained in the document		Superseded:	Superseded by:				
Title: ASC RSC with insert 25		Weight: 0.00kg		Art.No.:		Page: 1 of 1	
				Drawing No.:		Revision: 00	
				PD_SYS_000014_01_C2			