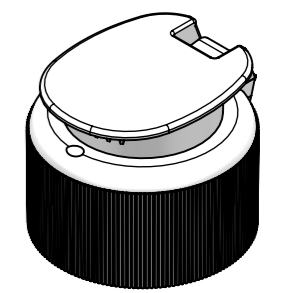
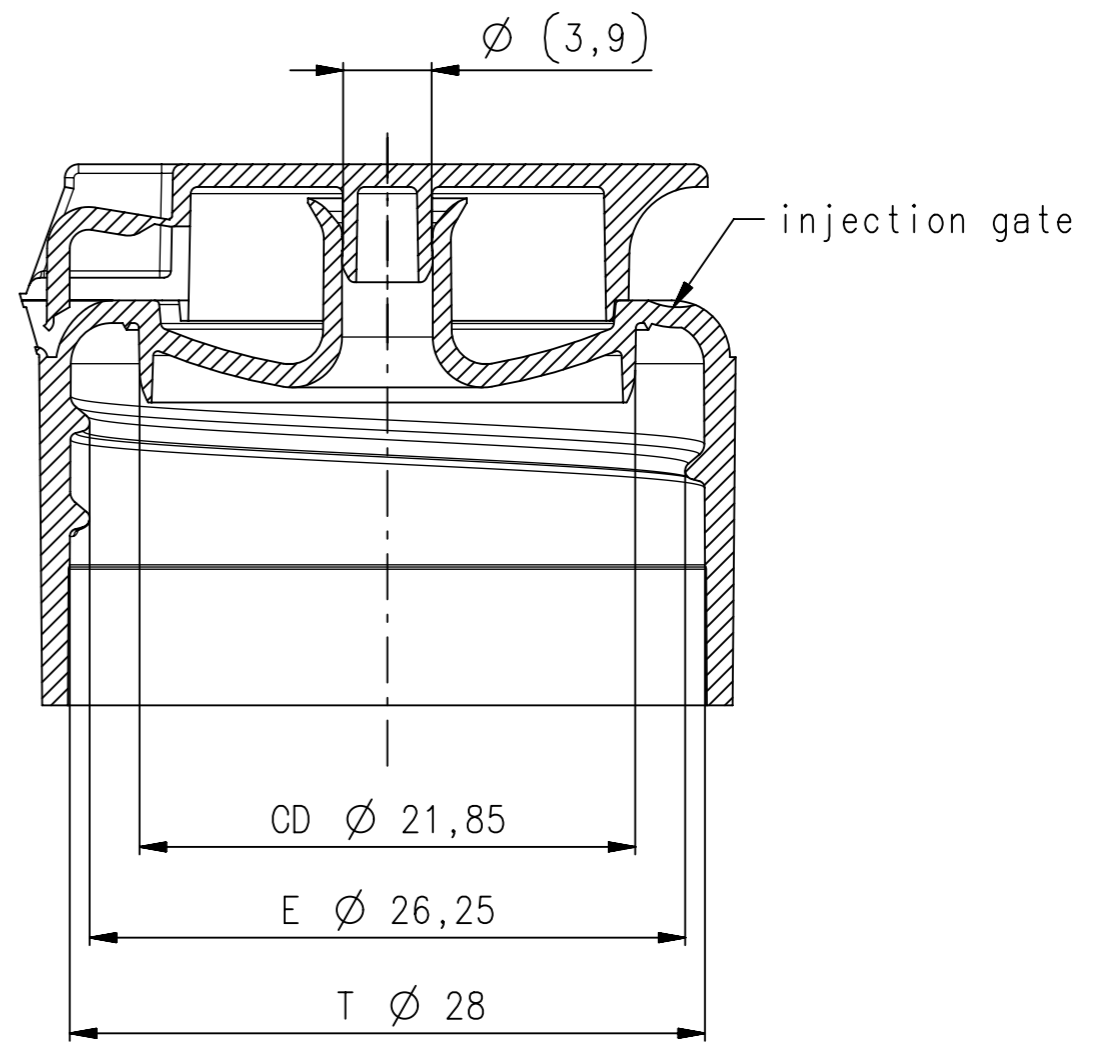



SECTION A-A
SCALE 3:1



THREAD DETAIL:
 PITCH: 4,233mm
 TURNS: 1,1
 1 START THREAD

Note: hinge in closed position equates not to reality

Index	Modification:	Name	Date	Index	Modification:	Name	Date
-	-	-	-	-	-	-	-
Scale: 2:1 1:1/3:1		Name	Date				
ALPLA reserves all rights to the technical IP contained in the document		Prepared: Suess Georg	08.Jul.21				
Superseded:		Superseded by:		Art.No.:		Page: 1 of 1	
Weight: 0.00kg		Title:		Drawing No.:		Revision: 00	
Morning Fresh Cap ASC FCR 28/410 Flip Cap				9301_009_010_02_C2			