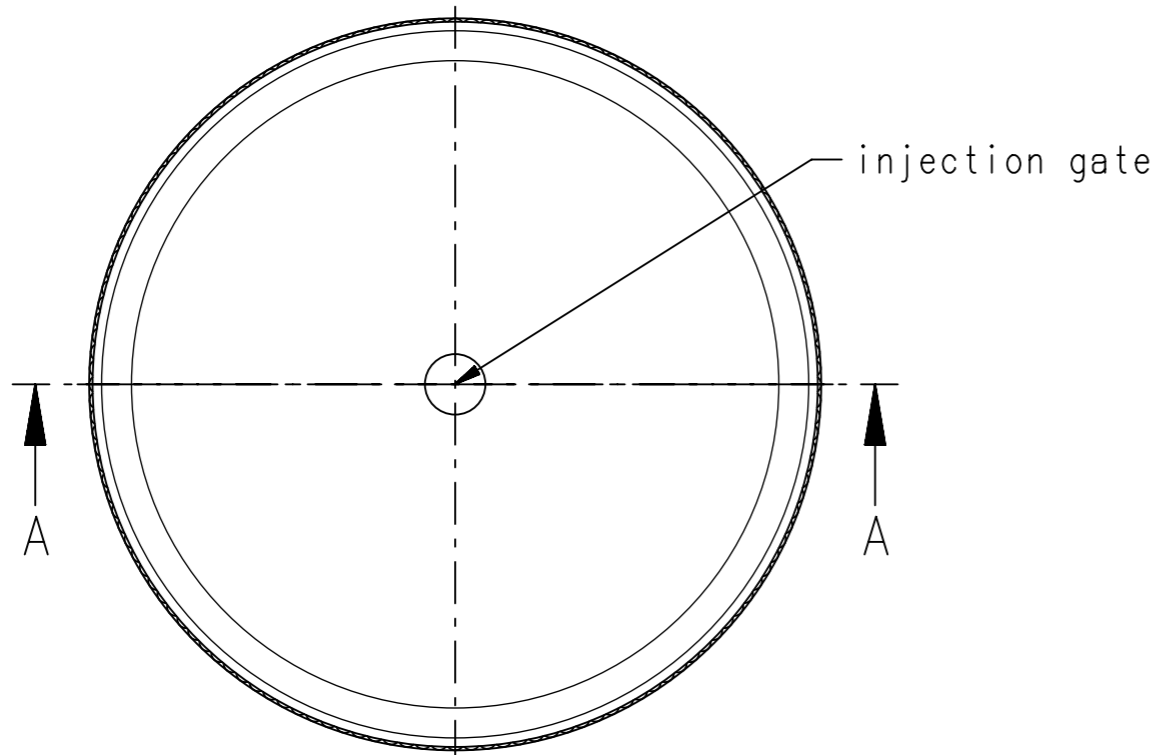
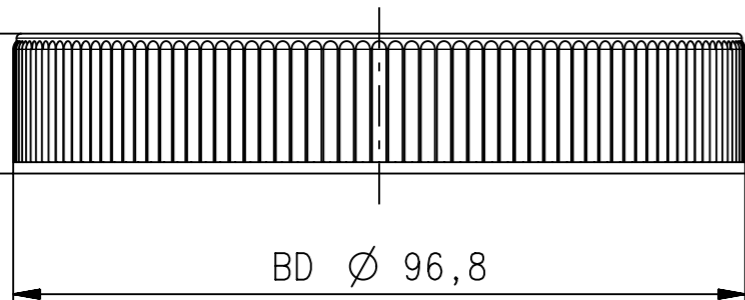
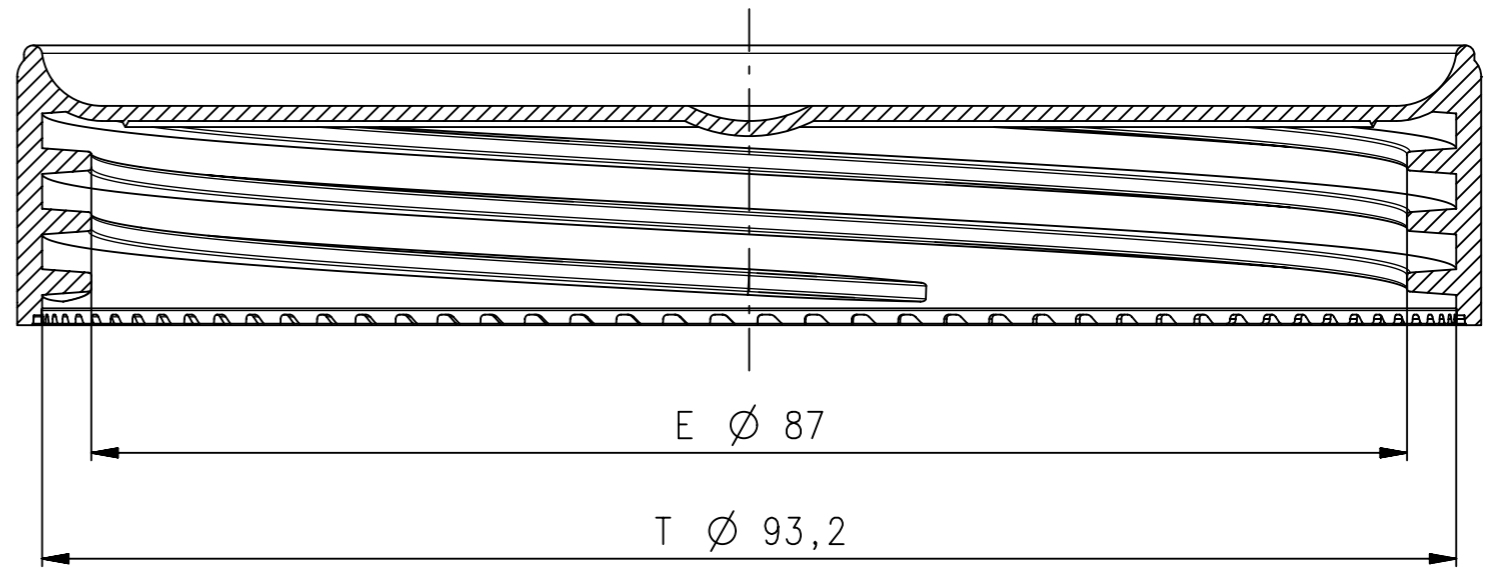


H_{L0} (19,5)



SECTION A-A

SCALE 2:1



Info: system with insert

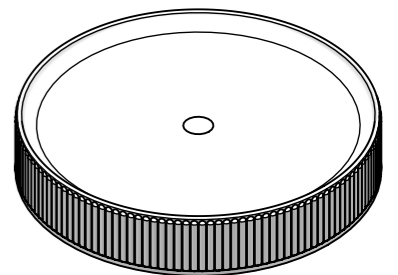
THREAD DETAIL:


PITCH: 16,0mm

TURNS: unscrew

4 START THREAD

spacing between thread profile: 4,0 (16.0/4)



Index	Modification:	Name	Date	Index	Modification:	Name	Date
-	-	-	-	-	-	-	-
Scale:		Name		Date			
1:1		Prepared: Suess Georg		26.Jul.21			
1:2/2:1		Reviewed:					
ALPLA reserves all rights to the technical IP contained in the document		Superseded:		Art.No.:		Page: 1 of 1	
		Superseded by:		Weight: 0.00kg		Revision: 00	
Title:				Drawing No.:			
ASC RSC 97				9301_021_122_01_C2			