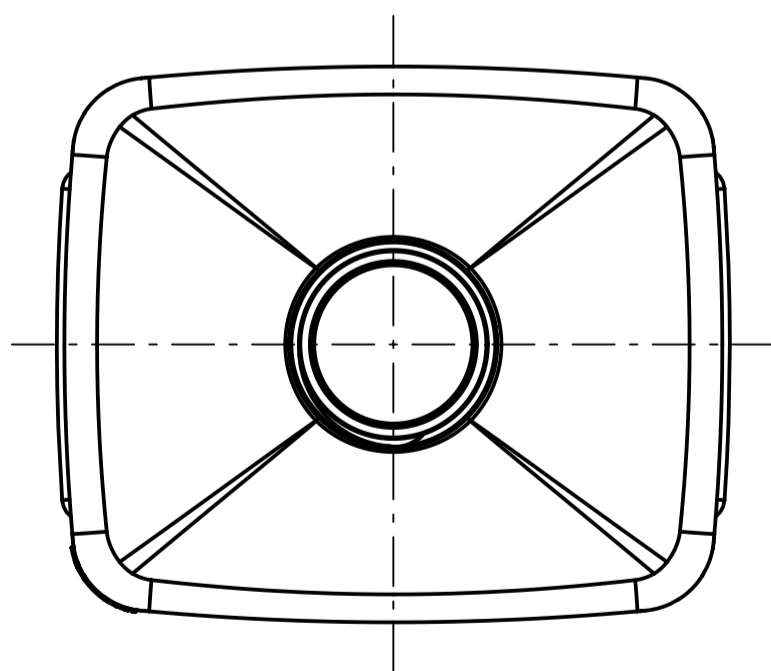



H_0 205



MATERIAL: HDPE
 WEIGHT: 50g
 VOLUME: 1000ml FILL VOLUME
 1056ml BRIMFULL
 SURFACE AREA: 65582mm²

NO 3D MASTER AVAILABLE

| Index | Modification: | Name | Date | Index | Modification: | Name | Date |
|---|---------------|----------------|-----------|---|---------------|--------------|------|
| | | | | | | | |
| Scale: | | Name | Date |  | | | |
| 1:1 | | Prepared: NSI | 19.Feb.22 | | | | |
| 1:1 | | Reviewed: - | - | | | | |
| ALPLA reserves all rights to the technical IP contained in the document | | Superseded: | | Art.No.: | | Page: 1 of 1 | |
| | | Superseded by: | | Drawing No.: | | Revision: 00 | |
| | | Weight: 0.00kg | | 9262_022_006_01_C1 | | | |
| Title: | | | | | | | |
| F 1007 | | | | | | | |