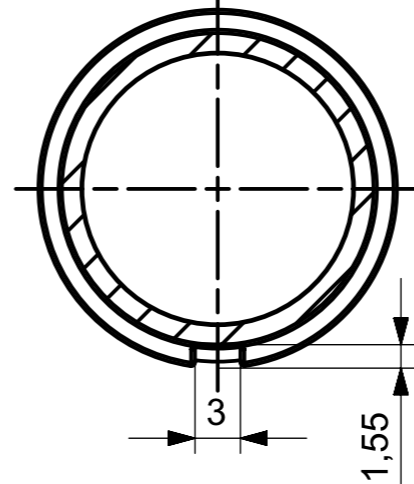
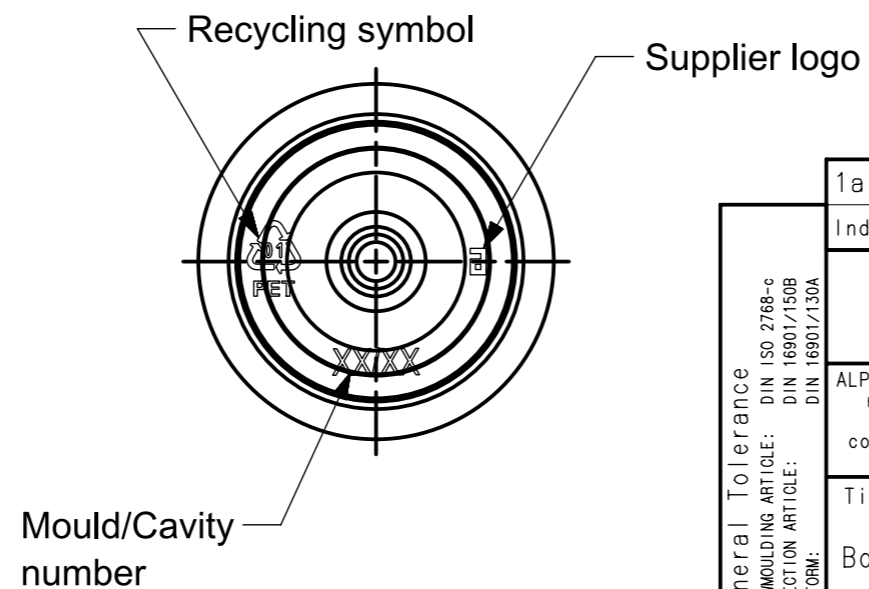
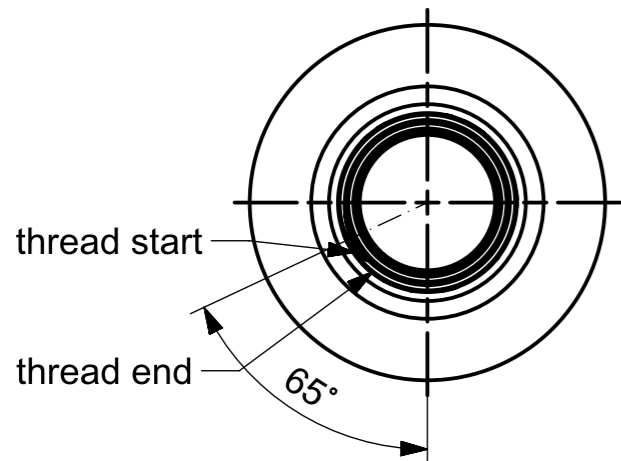


Neck Detail:
 Scale: 2:1
 Pitch: 3,175mm
 Turns: 1,9 (684°) without start
 and end of thread
 Starts: 1 start of thread

Section A-A



Material: PET
 Weight: 17g ± 1g
 Volume: 200ml fill level
 220ml ± 10ml brimful
 Surface area: 22711mm²
 1a) Mould no.: 8260



General Tolerance BLOWMOLDING ARTICLE: DIN ISO 2768-c INJECTION ARTICLE: DIN 16901/150B PREFORM: DIN 16901/130A	1a	mould number added	FI	20.05.22						
	Index	Modification	Name	Date	Index	Modification	Name	Date		
	Scale:		Name	Date						
	1:1		Prepared: Iwan	11.05.2022						
		2:1		Reviewed: Oekmen	11.05.2022					
ALPLA reserves all rights to the technical IP contained in the document		Superseded:								
		Superseded by:								
		Weight:								
Title:		Boston Round 200ml PET article drawing			Art.No.:		Page: 1 of 1			
					Drawing No.:		Revision: 01			
					A001_1_9401_722_08844_Rev1_Z01					